

[54] COMBINED UPHOLSTERED SEAT AND BACK FOR RESTAURANT FURNITURE

[76] Inventor: Robert K. Radford, Sr., 5117 Otsego Ct., Encino, Calif. 91436

[**] Term: 14 Years

[21] Appl. No.: 901,736

[22] Filed: May 1, 1978

[51] Int. Cl. D6-06

[52] U.S. Cl. D6/197; D6/43

[58] Field of Search D6/37-39, D6/47-78

[56] References Cited

U.S. PATENT DOCUMENTS

D. 223,091	10/1974	Radke	D6/48
D. 233,283	10/1974	Radke	D6/48
D. 250,798	1/1979	Stamberg	D6/71

4,025,137 5/1977 Wyler D6/186 X

Primary Examiner—Bruce W. Dunkins
Attorney, Agent, or Firm—Allan M. Shapiro

[57] CLAIM

The ornamental design for a combined upholstered seat and back for restaurant furniture, substantially as shown and described.

DESCRIPTION

FIG. 1 is a perspective view of a combined upholstered seat and back for restaurant furniture, showing my new design;

FIG. 2 is a reduced-scale front elevational view thereof; and

FIG. 3 is a reduced-scale right side elevational view thereof; the left side, not shown, is the mirror image thereof.

The rear and bottom, not shown, are plain and unornamented.

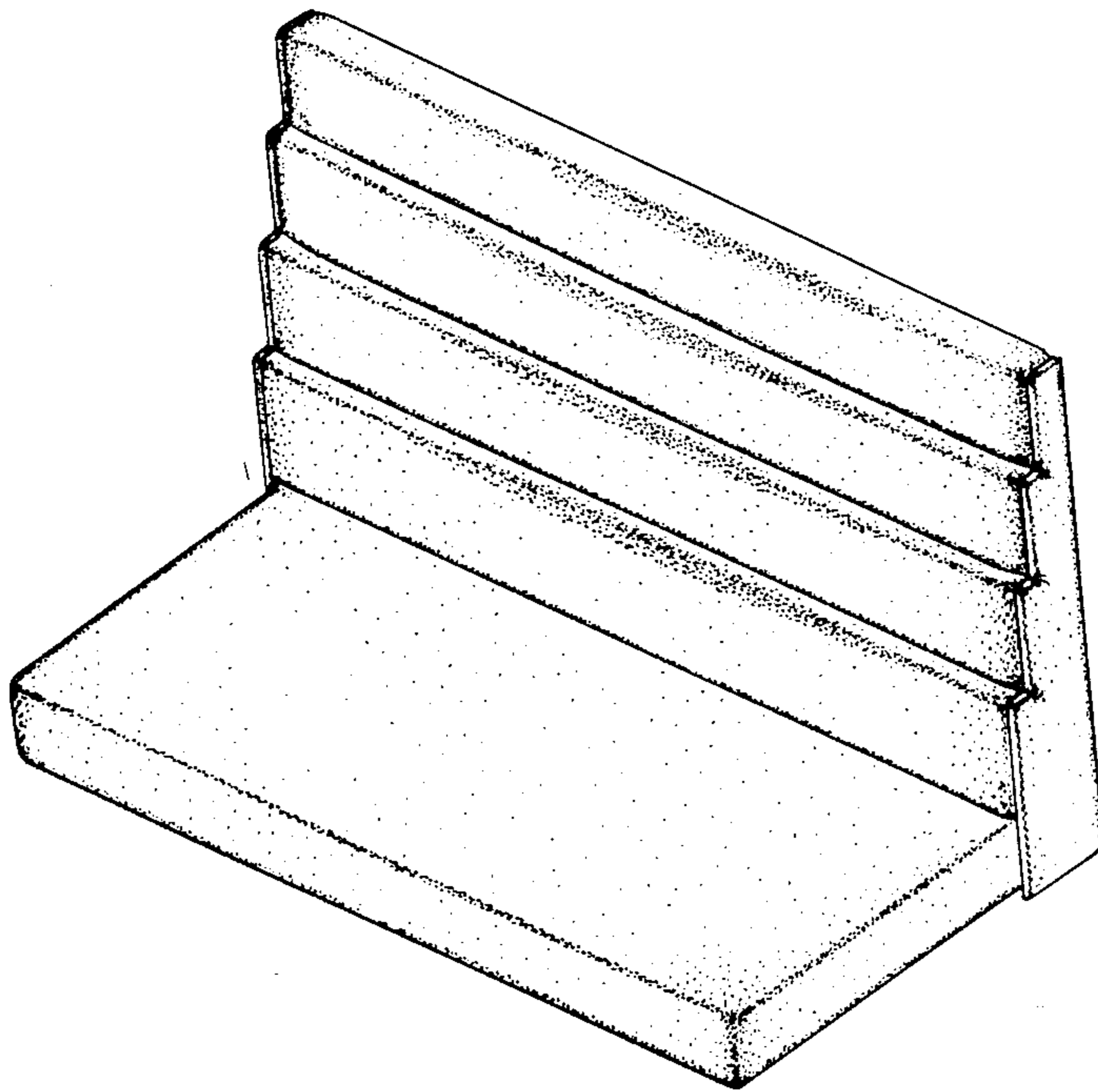


FIG. 1

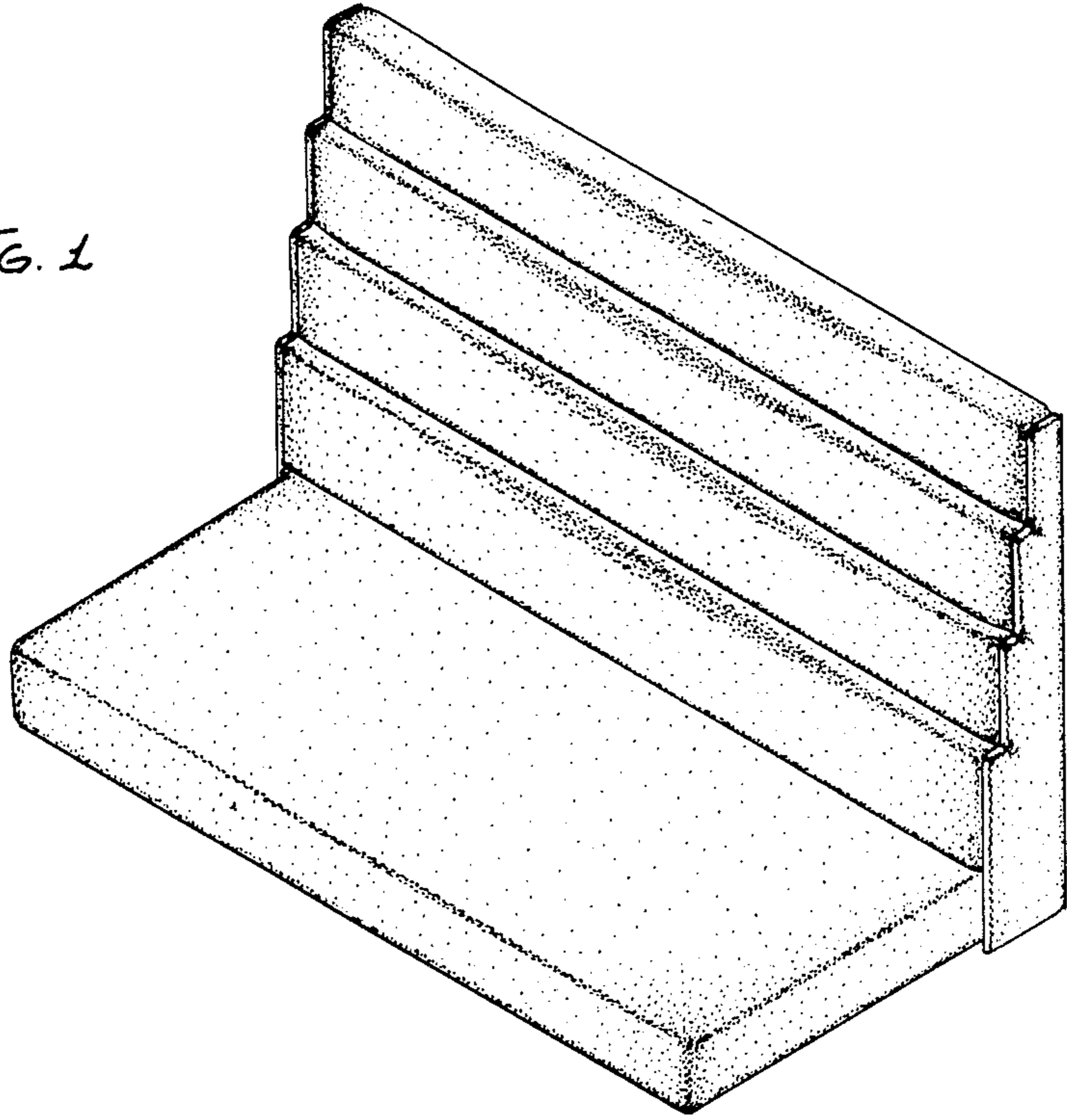


FIG. 2

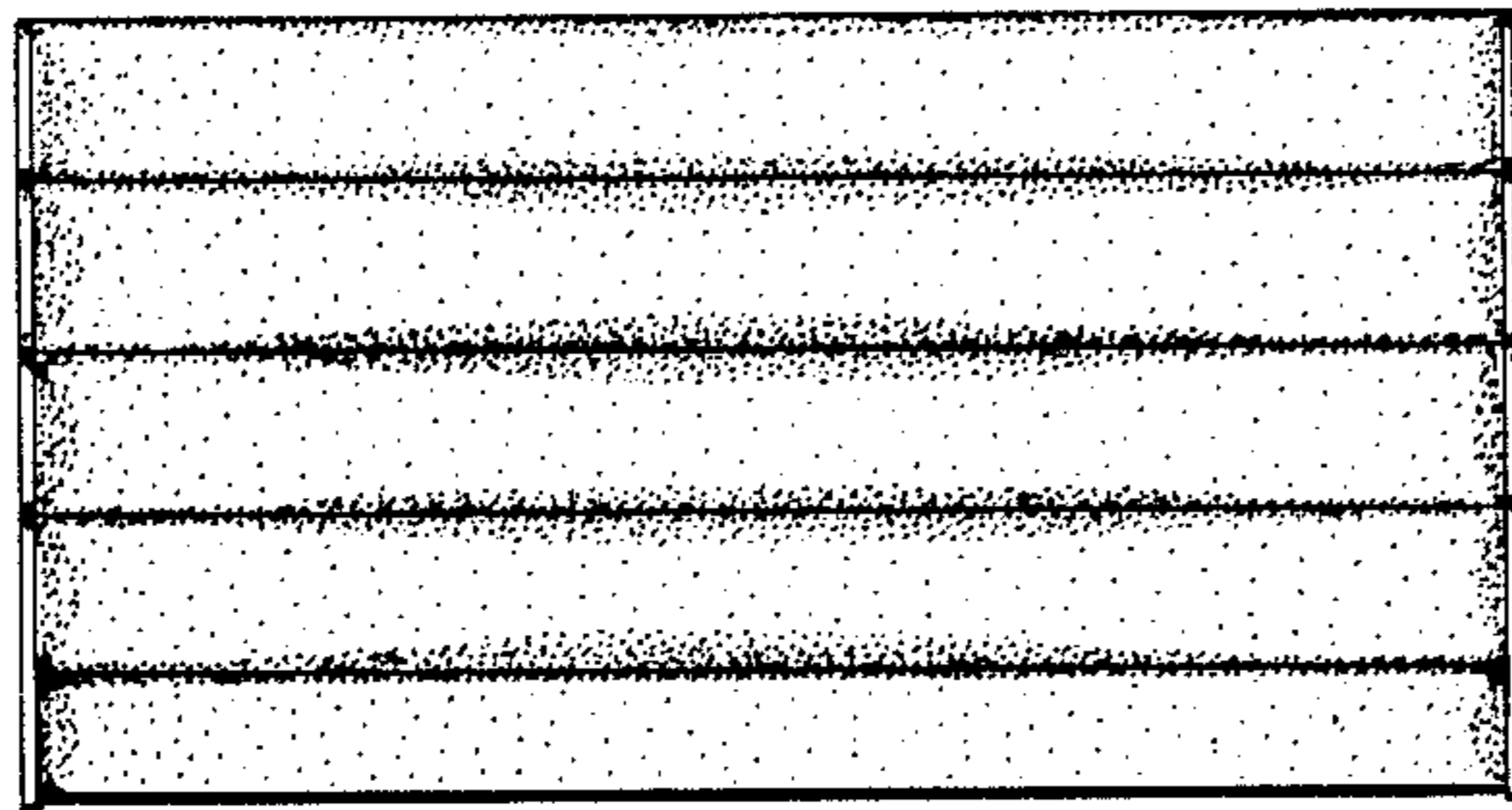


FIG. 3

