

[54] SET OF MODULAR DISPLAY UNITS

[75] Inventor: Fred W. Kates, New York, N.Y.

[73] Assignee: Revlon, Inc., New York, N.Y.

[\*\*] Term: 14 Years

[21] Appl. No.: 917,158

[22] Filed: Jun. 20, 1978

[51] Int. Cl. .... D20-02

[52] U.S. Cl. .... D6/186

[58] Field of Search ..... D6/130, 134, 135, 146, D6/148, 157, 172, 181, 186, 188, 184, 189; 211/87, 88, 90, 134, 135, 144, 188, 153, 182; 108/59, 91, 92, 152

[56] References Cited

U.S. PATENT DOCUMENTS

D. 117,463	11/1939	Vaughn	.....	D6/189
D. 233,294	10/1974	Goulder	.....	D6/186
2,091,355	8/1937	Ekedahl et al.	.....	108/92

OTHER PUBLICATIONS

Architectural Forum, 11/1953, p. 171, double width display unit (second row, second from left).

Kason Fixture-Ware Cat. No. 74, ©1974, p. 55 "Parapet" fixture 6303W.

Kason Fixture-Ware Cat. No. 74, ©1974, p. 57, "Towerlight" fixture 6202.

Primary Examiner—Wallace R. Burke

Assistant Examiner—B. J. Bullock

Attorney, Agent, or Firm—Leon E. Tenenbaum

[57] CLAIM

The ornamental design for a set of modular display units, as shown and described.

DESCRIPTION

FIG. 1 is a front elevational view of the set of modular display units showing my new design;

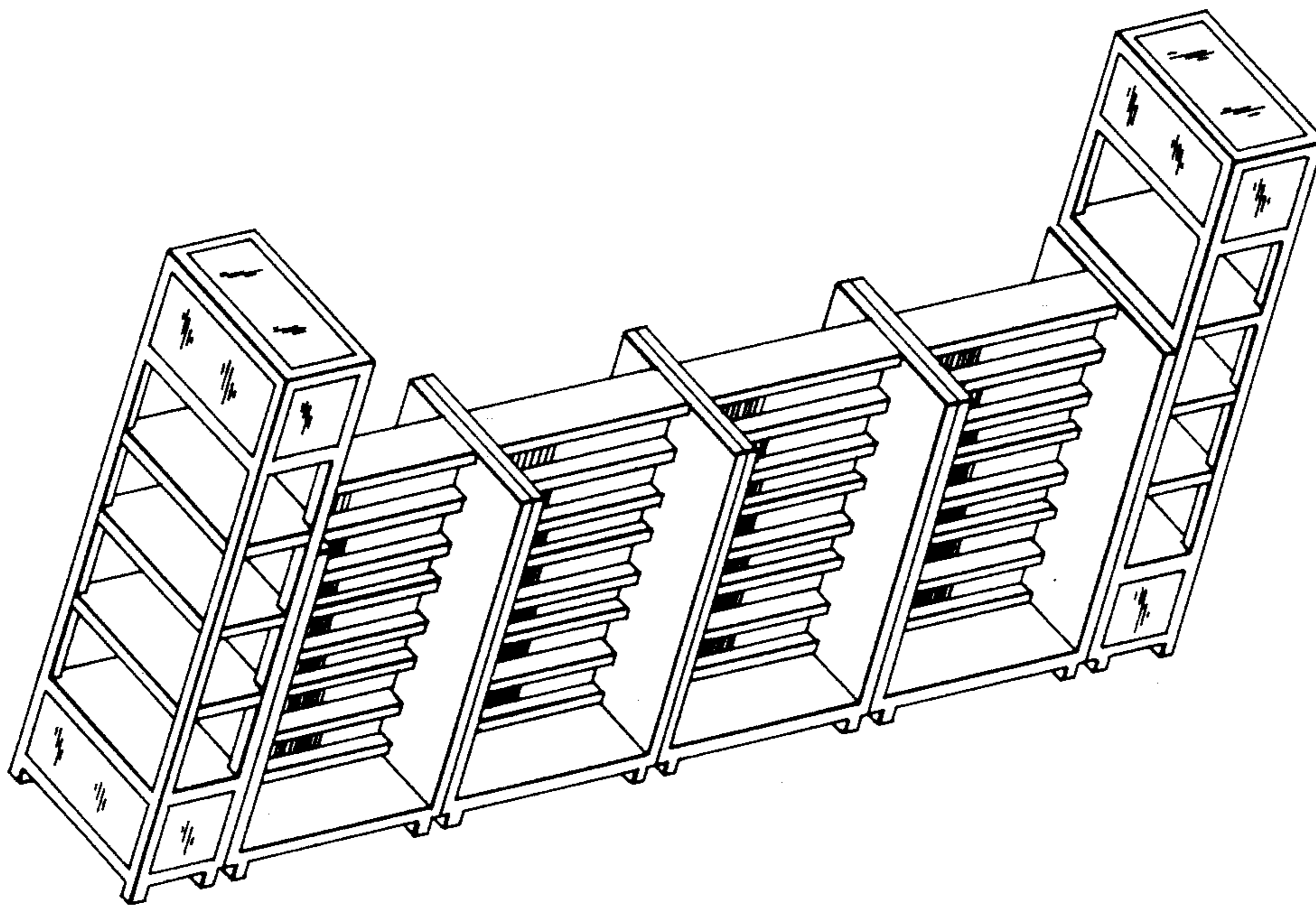
FIG. 2 is a top plan view thereof;

FIG. 3 is an end elevational view taken from the right of FIG. 1;

FIG. 4 is an elevational view taken from the left of FIG. 1;

FIG. 5 is a rear elevational view thereof; and

FIG. 6 is a perspective view thereof.



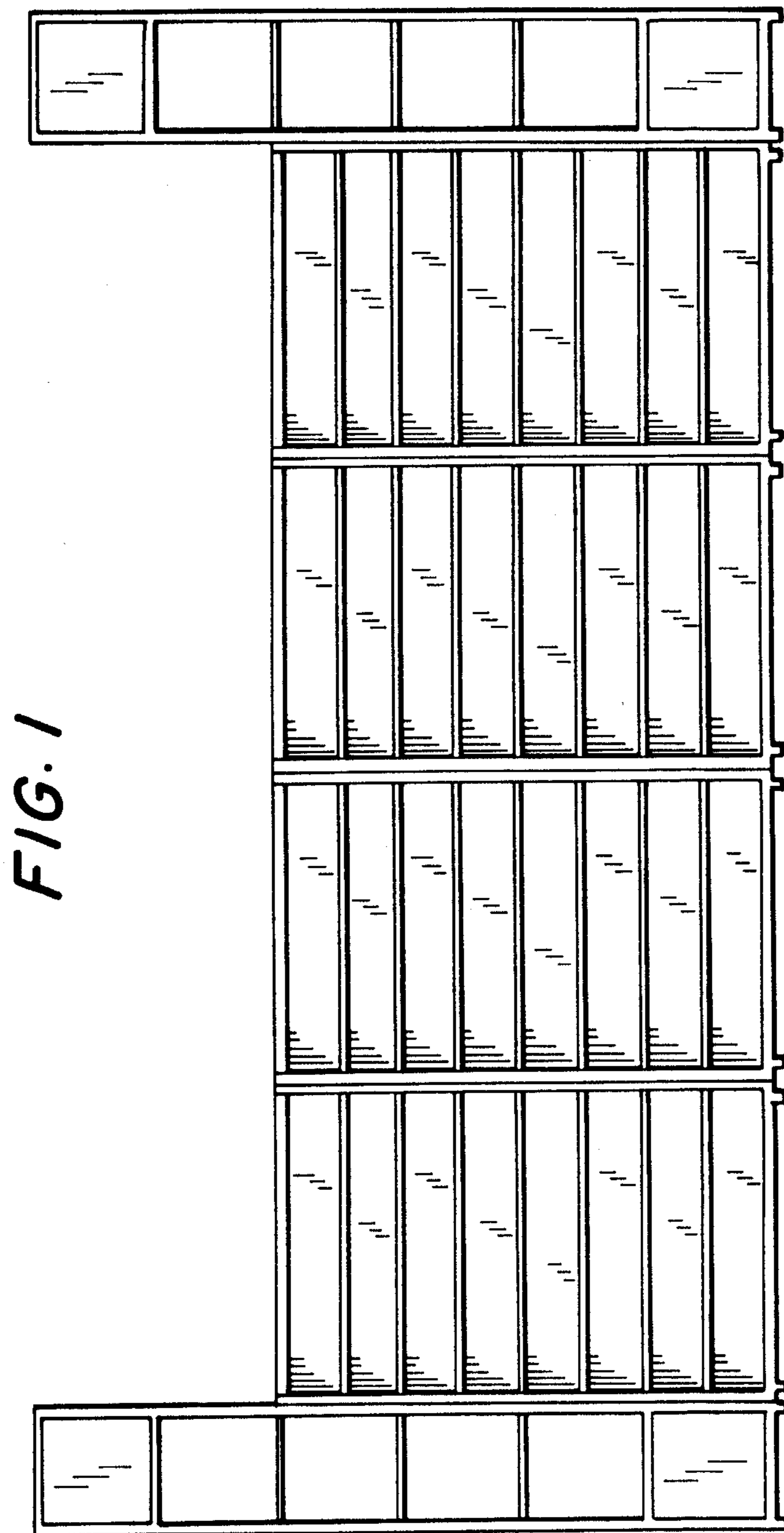
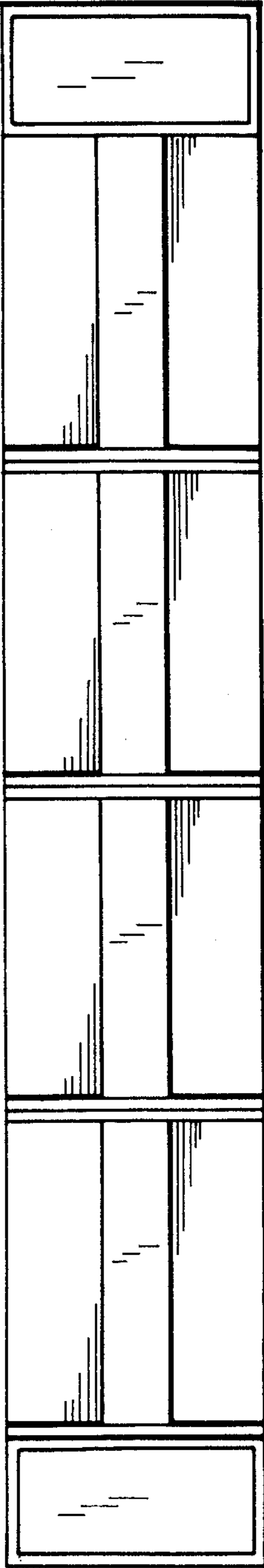
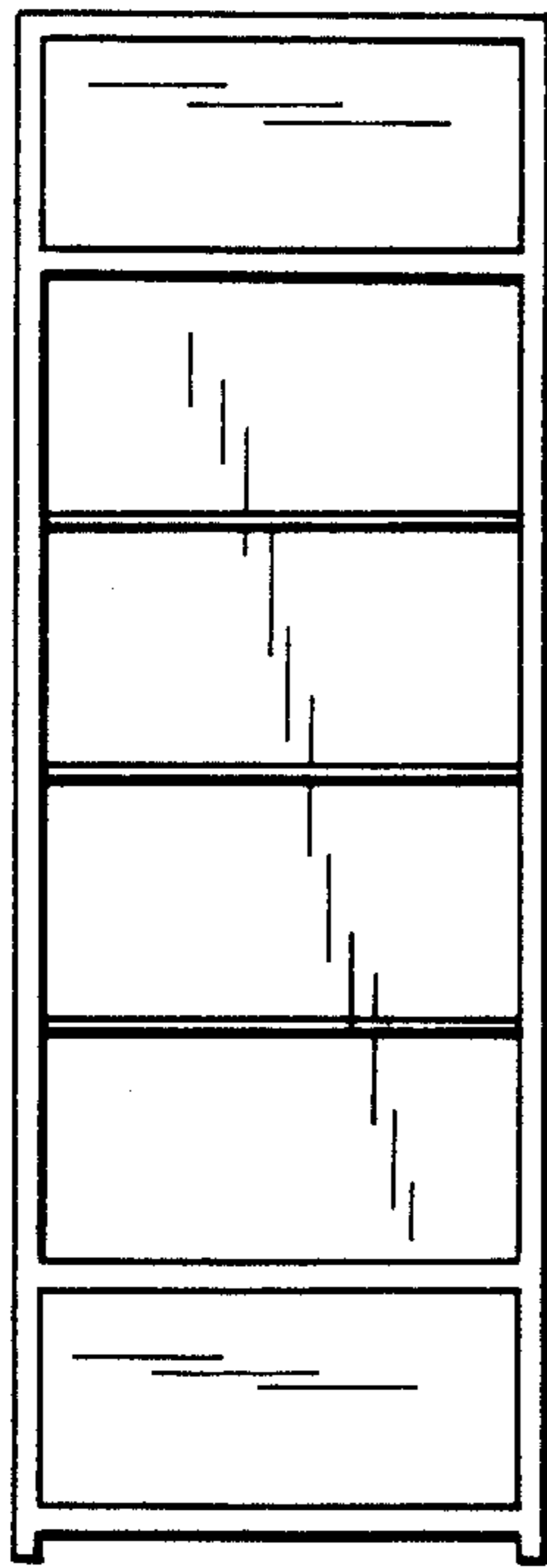


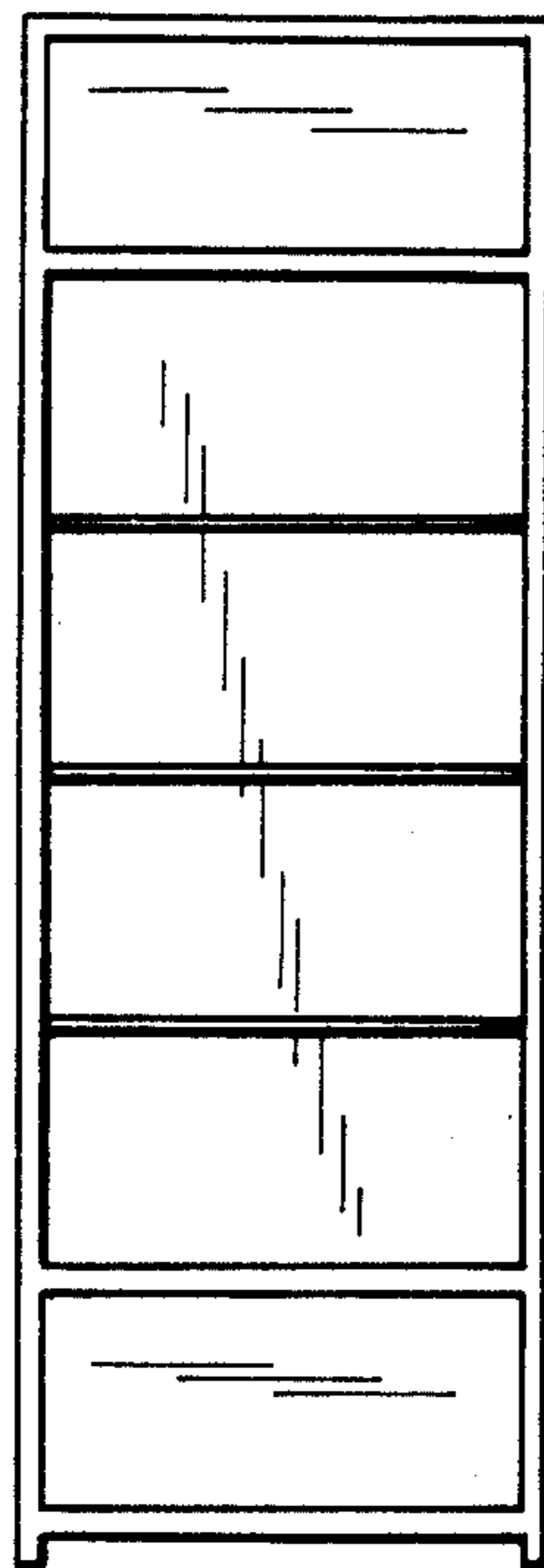
FIG. 2



**FIG. 3**



**FIG. 4**





*FIG. 5*

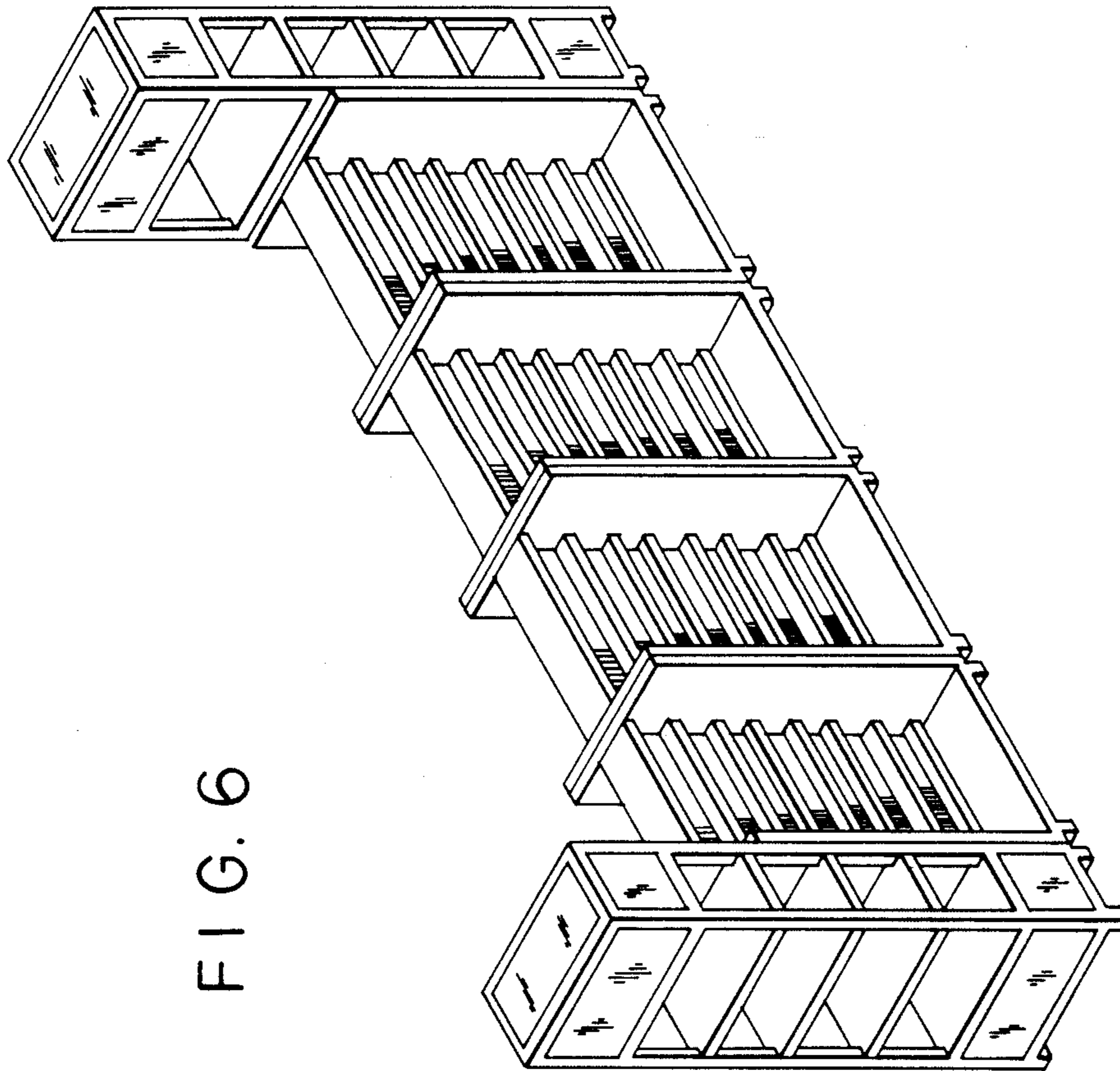


FIG. 6