

[54] **PARK BENCH WITH SPRING SUPPORT**

[75] Inventor: **Steven A. Lofton**, Litchfield, Mich.

[73] Assignee: **Game Time, Inc.**, Fort Payne, Ala.

[**] Term: **14 Years**

[21] Appl. No.: **930,877**

[22] Filed: **Aug. 3, 1978**

[51] Int. Cl. **D6-01**

[52] U.S. Cl. **D6/60**

[58] Field of Search **D6/59, 60, 61, 42;**
248/356, 562, 565; 297/454, 444, 445

[56] **References Cited**

U.S. PATENT DOCUMENTS

| | | | |
|------------|--------|---------------|-------|
| D. 67,030 | 4/1925 | Haase | D6/60 |
| D. 185,540 | 6/1959 | Everly | D6/60 |
| D. 187,919 | 5/1960 | Barecki | D6/59 |

| | | | |
|-----------|---------|----------------------|-----------|
| 1,400,974 | 12/1921 | Parker | 248/565 |
| 3,509,742 | 5/1970 | Baver | 248/562 X |
| 3,912,248 | 10/1975 | Pickford et al. | 248/562 X |
| 4,113,312 | 9/1978 | Skalka | D6/60 X |

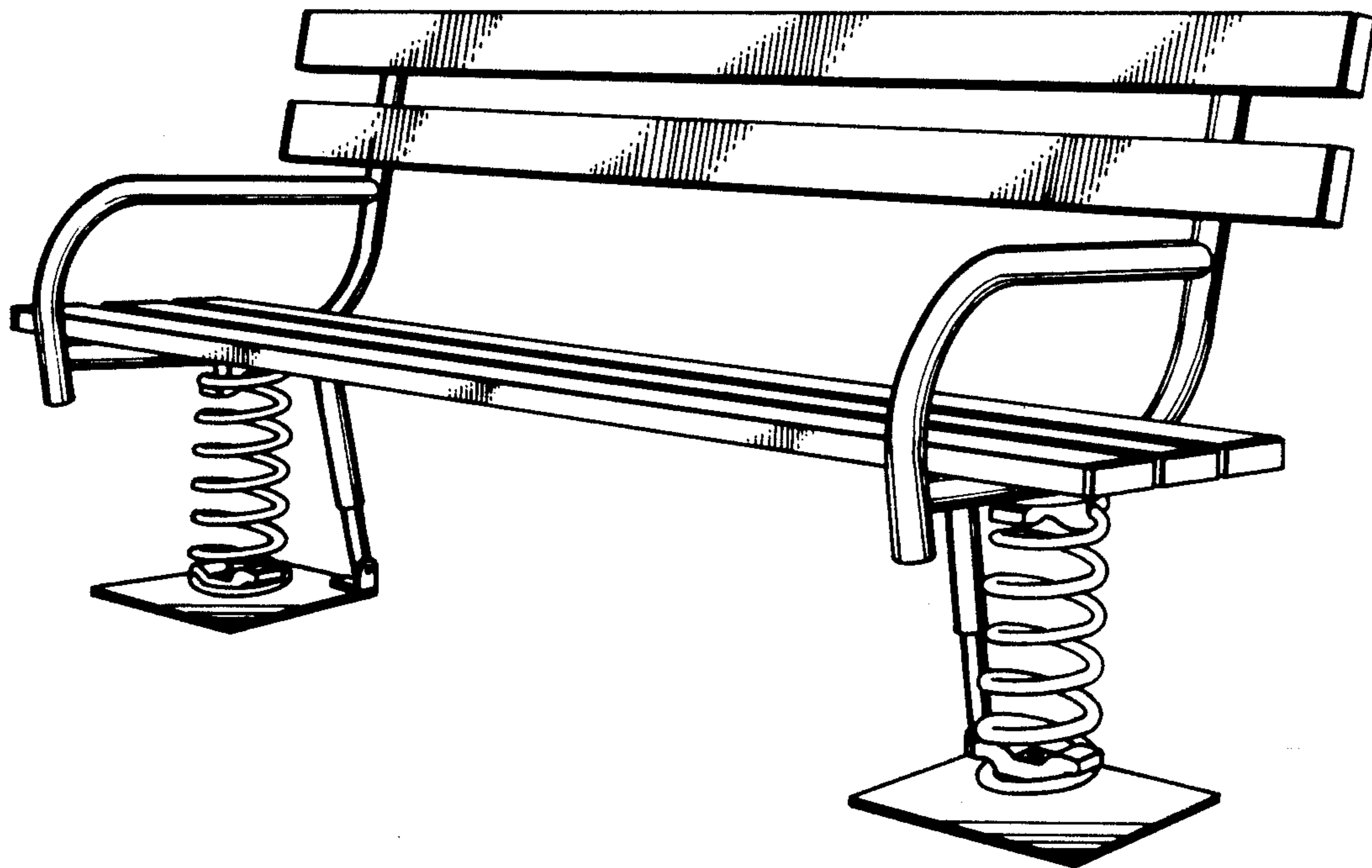
Primary Examiner—Bruce W. Dunkins
Attorney, Agent, or Firm—Raywood H. Blanchard

[57] **CLAIM**

The ornamental design for a park bench with spring support, as shown and described.

DESCRIPTION

FIG. 1 is a perspective view of the park bench with spring support embodying my new design; FIG. 2 is a front view thereof; FIG. 3 is a top view thereof; FIG. 4 is a right end view thereof, the left end being a mirror image thereof; FIG. 5 is a rear view thereof; and FIG. 6 is a bottom view thereof.



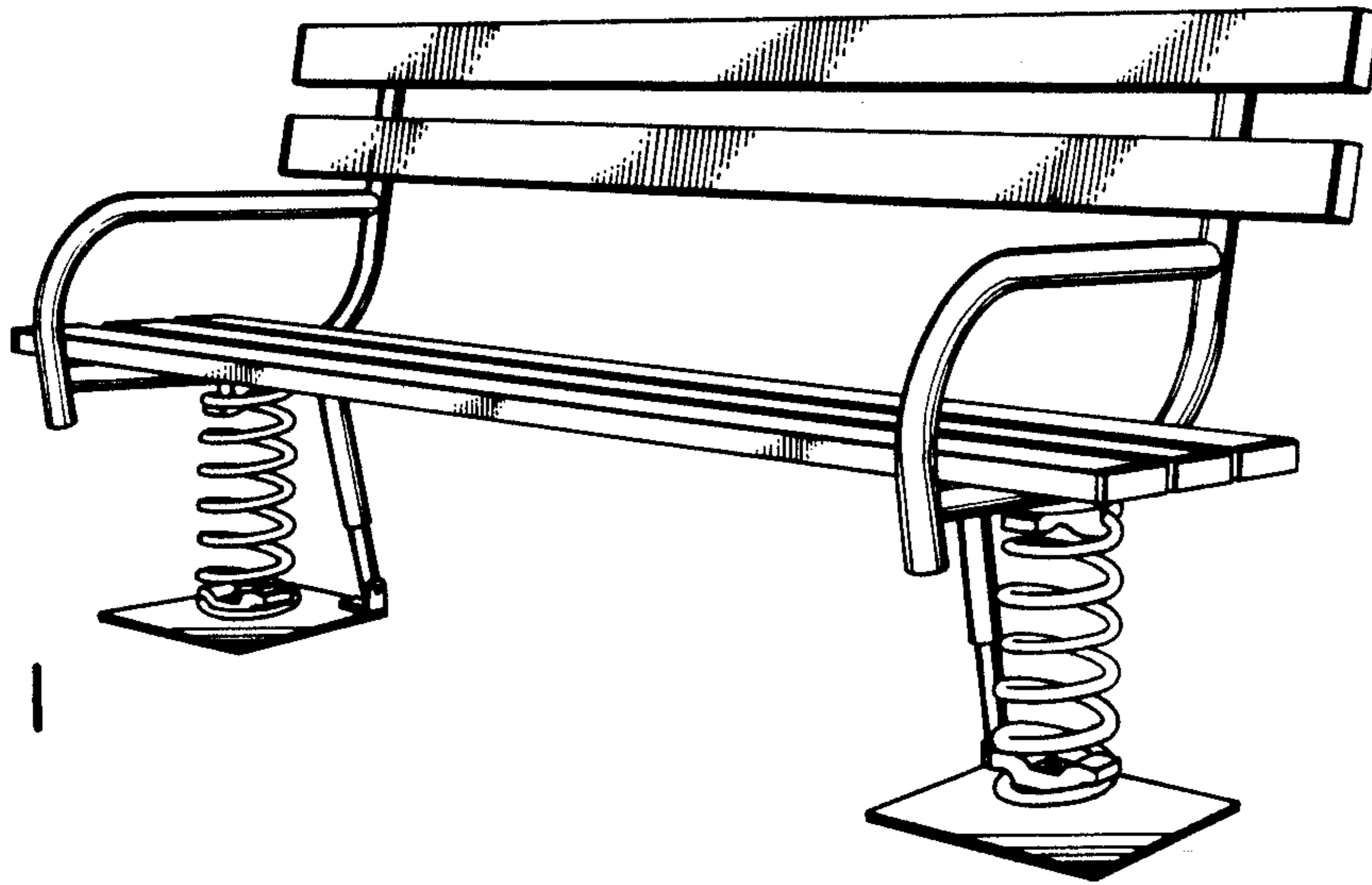


FIG. 1

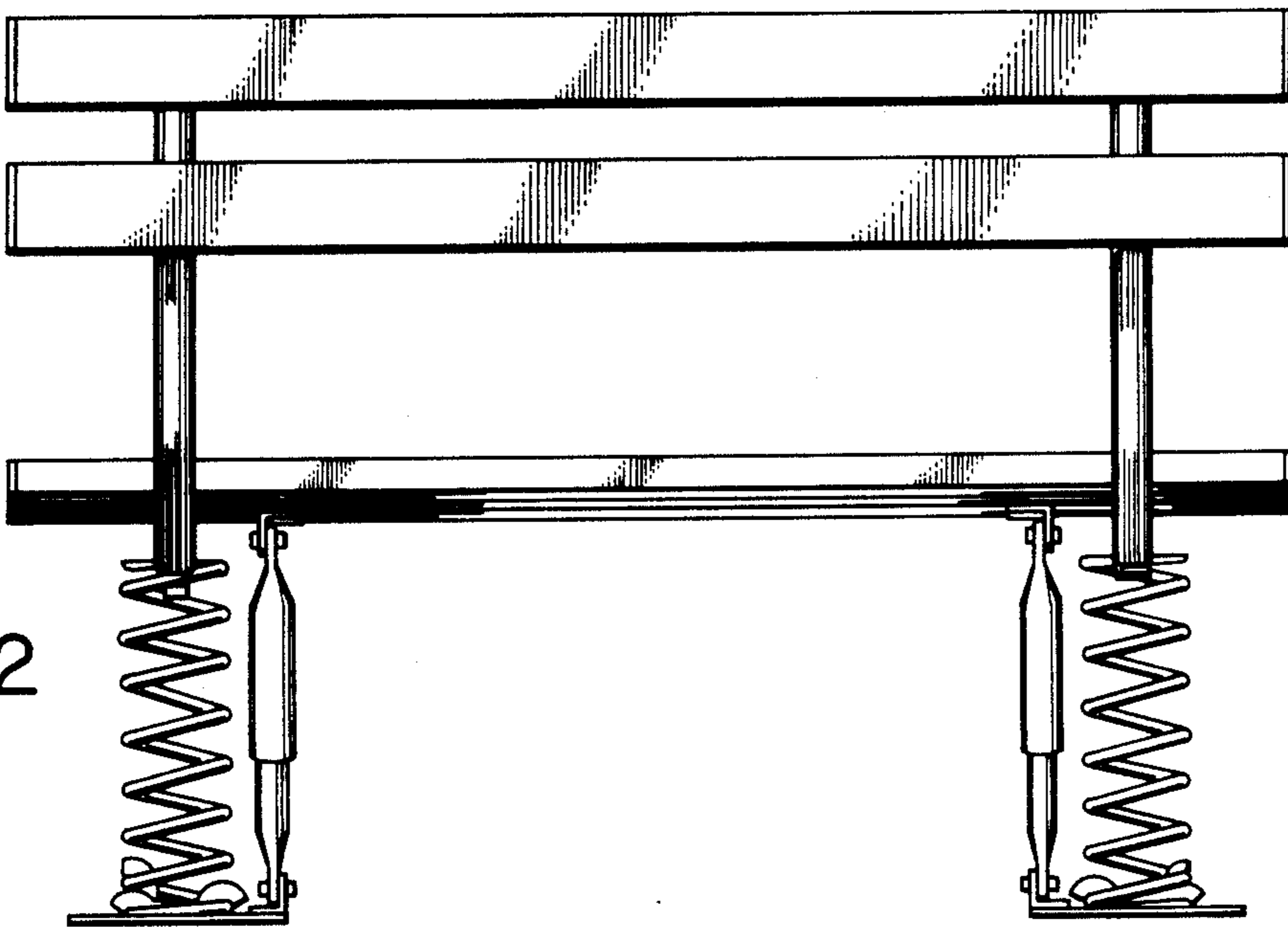


FIG. 2

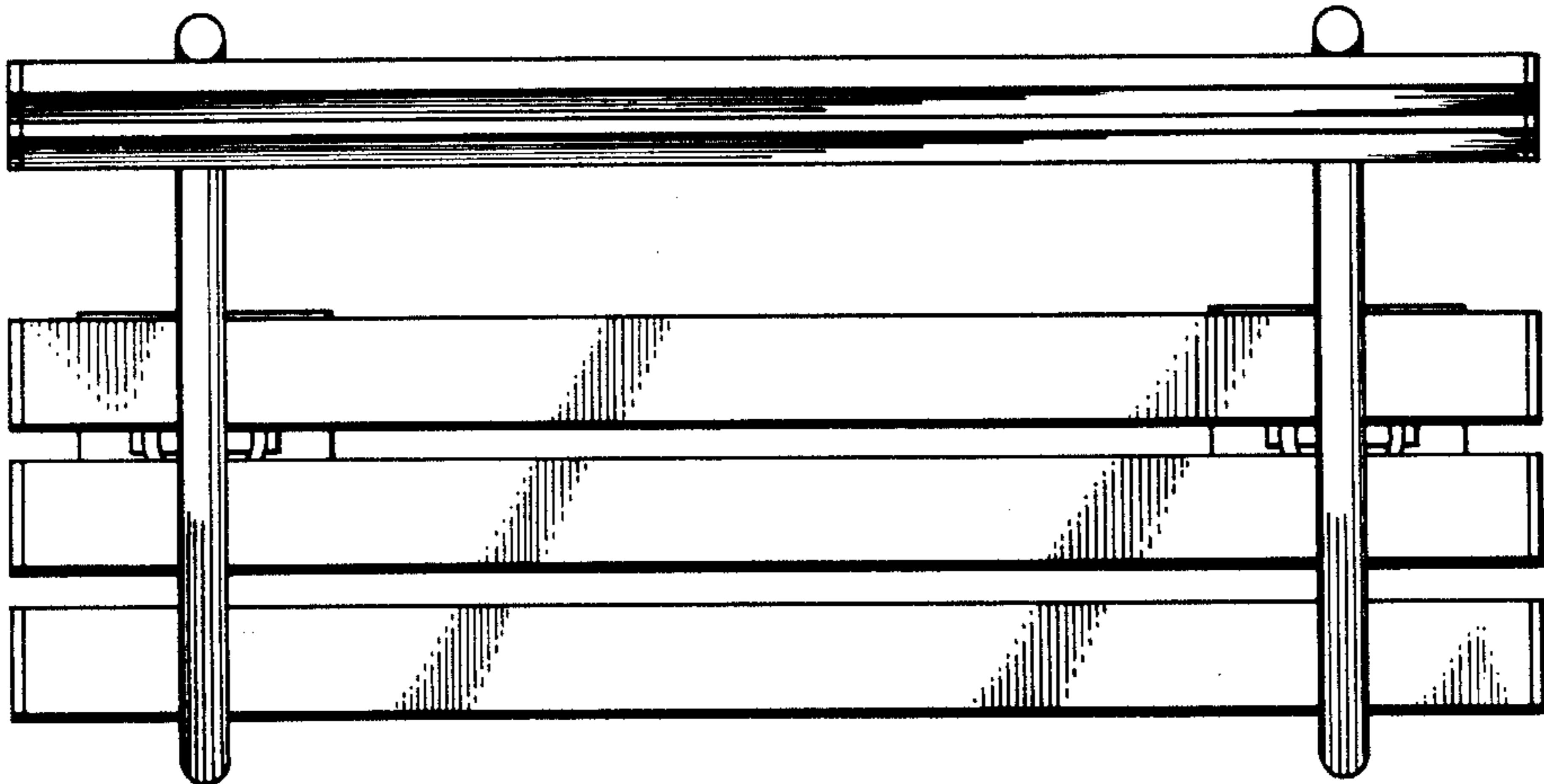


FIG. 3

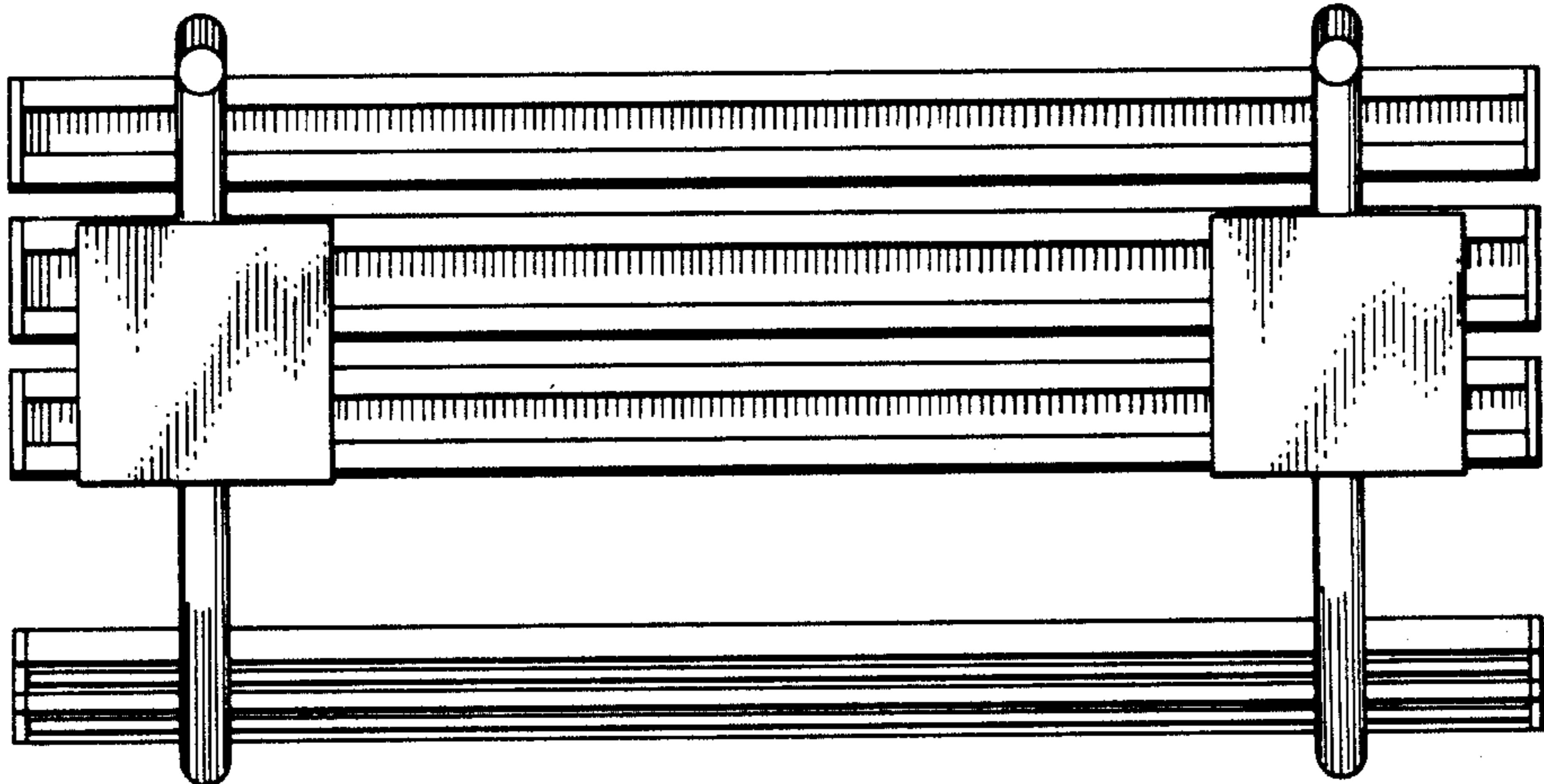


FIG. 6

FIG. 5

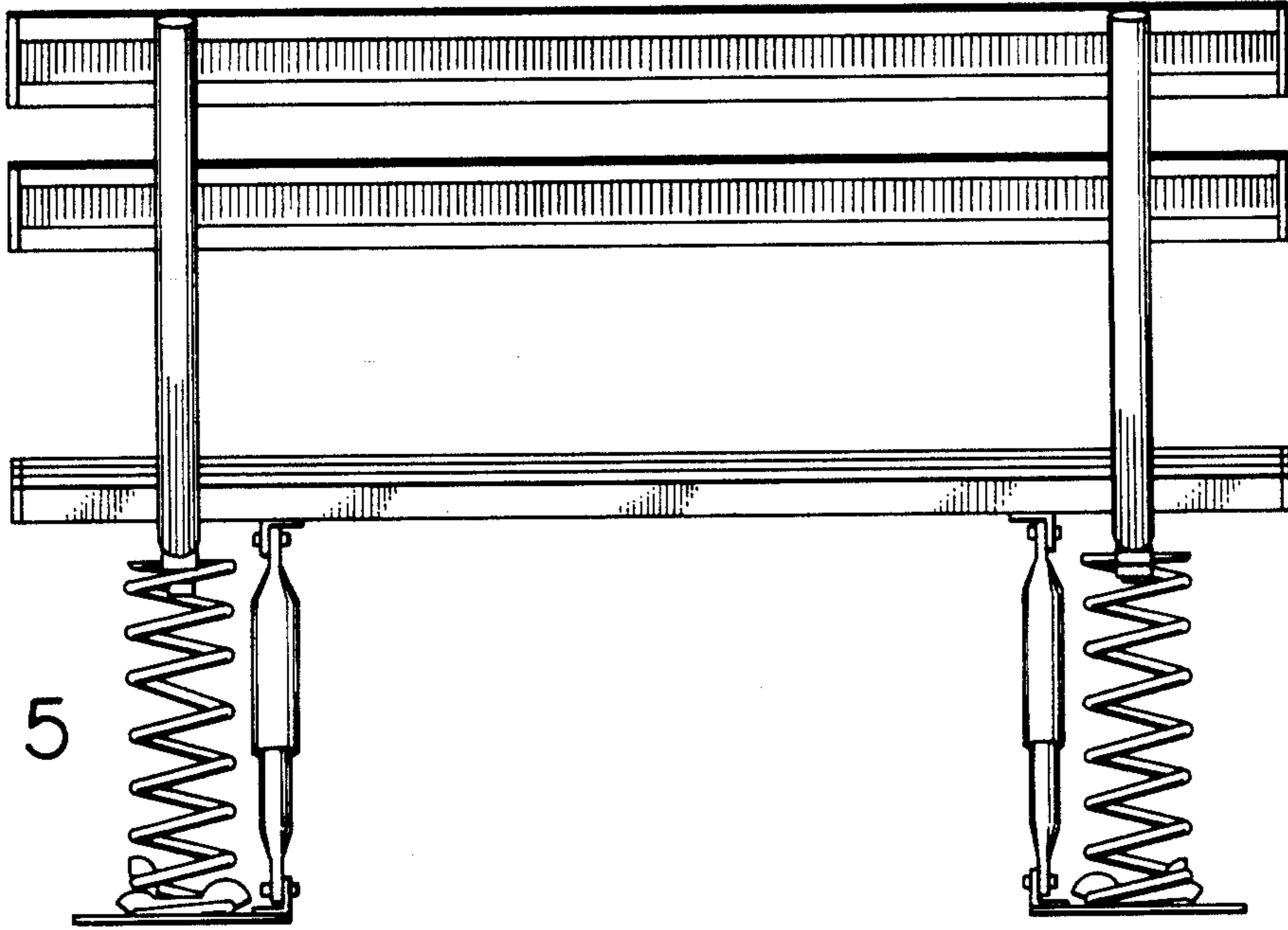


FIG. 4

