

[54] COMBINED ATTACHE CASE AND DETACHABLE FILE FOLDER

[76] Inventor: George Rapoport, 8787 Shoreham Dr., Number "C", Los Angeles, Calif. 90057

[**] Term: 14 Years

[21] Appl. No.: 917,297

[22] Filed: Jun. 20, 1978

[51] Int. Cl. D3-01

[52] U.S. Cl. D3/76

[58] Field of Search D3/30, 54, 72, 76, 78, D3/79; 150/1.6; 190/41 R

[56] References Cited

U.S. PATENT DOCUMENTS

D. 210,263 2/1968 Rapoport D3/76

OTHER PUBLICATIONS

Best Products Cat. 1975, p. 198, Item "A".
Luggage & Leather Goods, 9/72, p. 36, lower rt. cor.

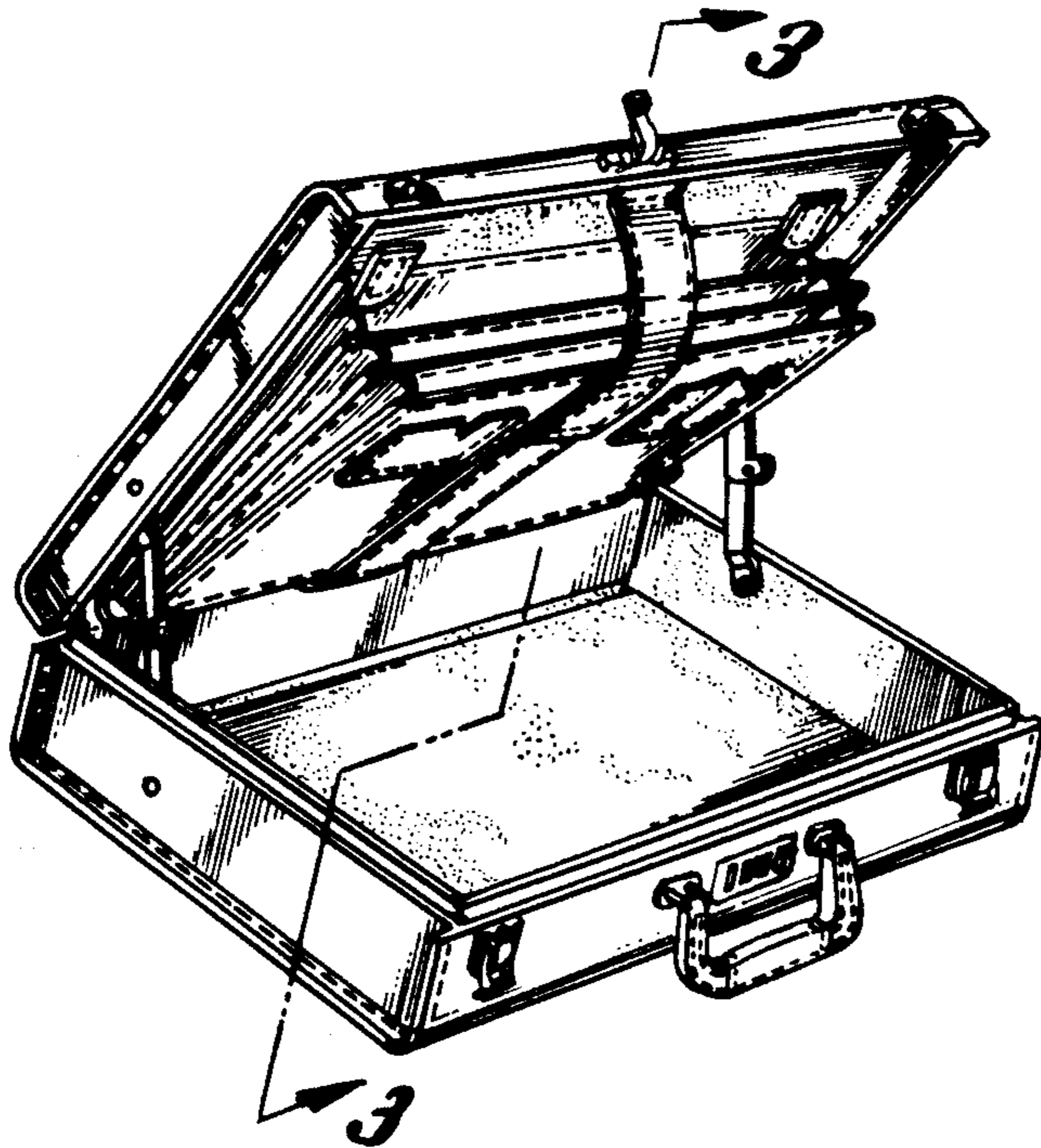
Primary Examiner—Joel Stearman
Assistant Examiner—George P. Word
Attorney, Agent, or Firm—Warren L. Patton

[57] CLAIM

The ornamental design for a combined attache case and detachable file folder, substantially as shown and described.

DESCRIPTION

FIG. 1 is a perspective view of a combined attached case and detachable file folder, showing my new design; FIG. 2 is a front elevational view thereof; FIG. 3 is a left end elevational view, partially in section, taken along the line 3.3 of FIG. 1; FIG. 4 is a front elevational view with the case open and the folder removed; and FIG. 5 is a rear perspective view showing the case in a closed condition.



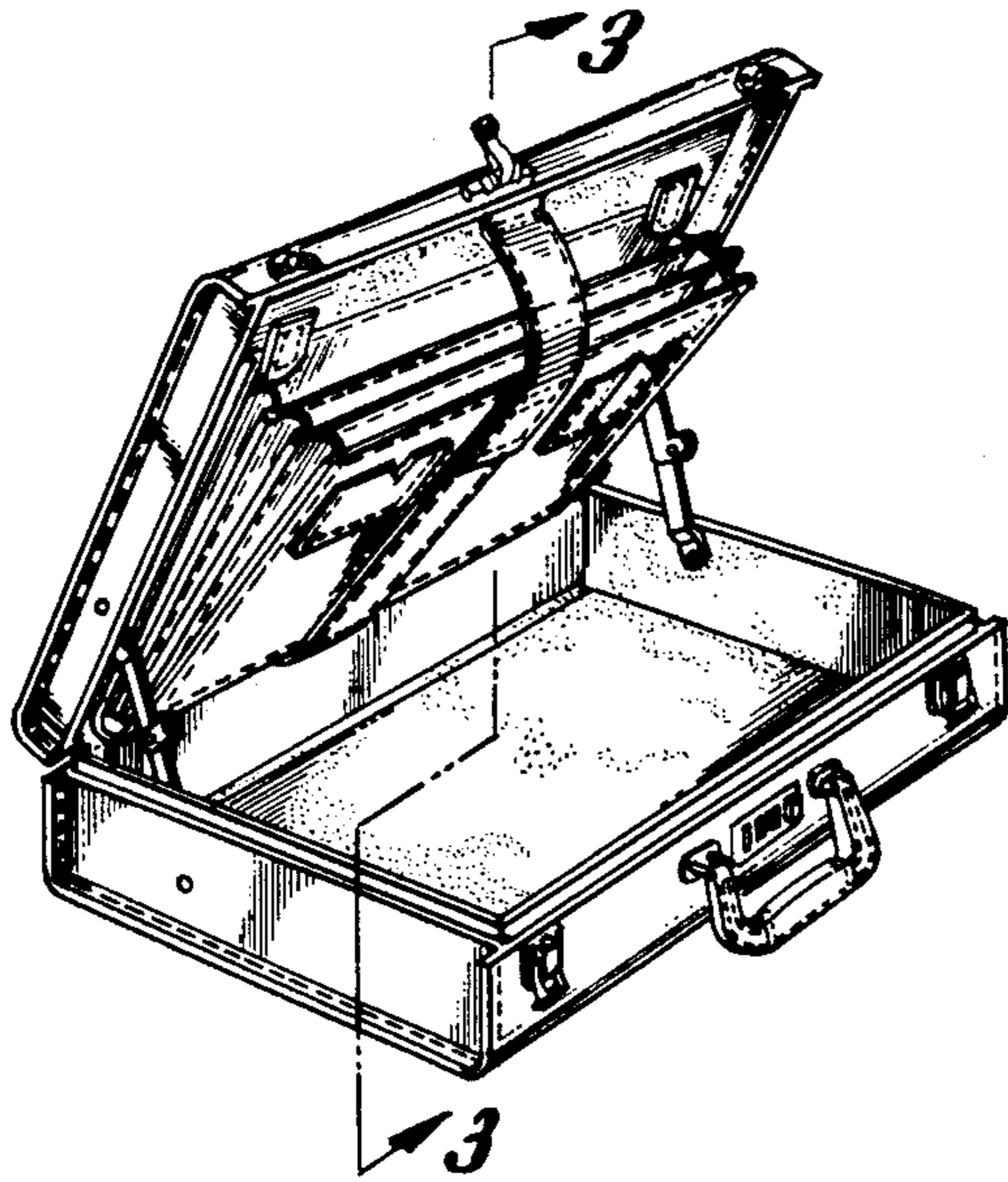


Fig. 1

Fig. 2

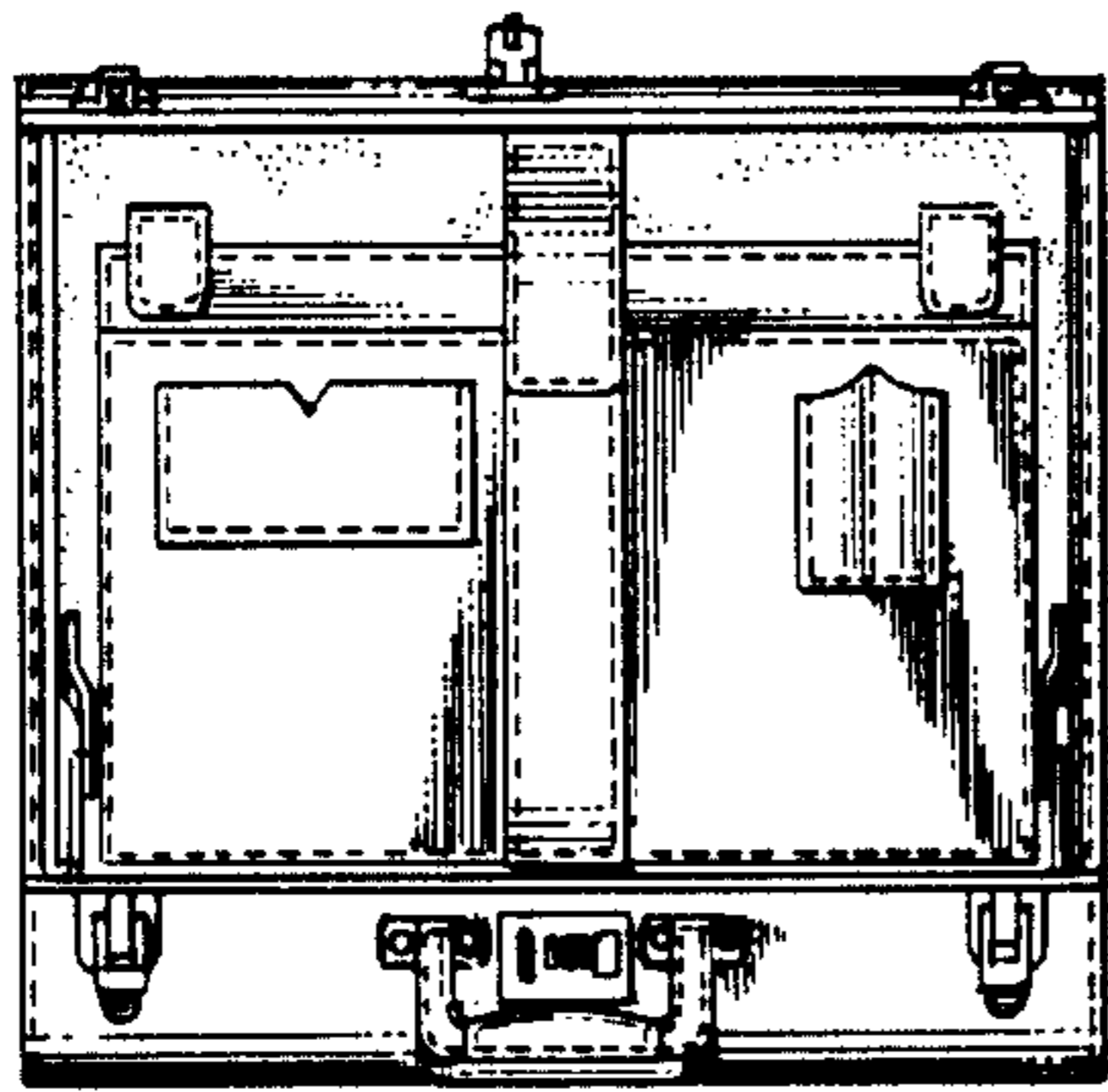


Fig. 3

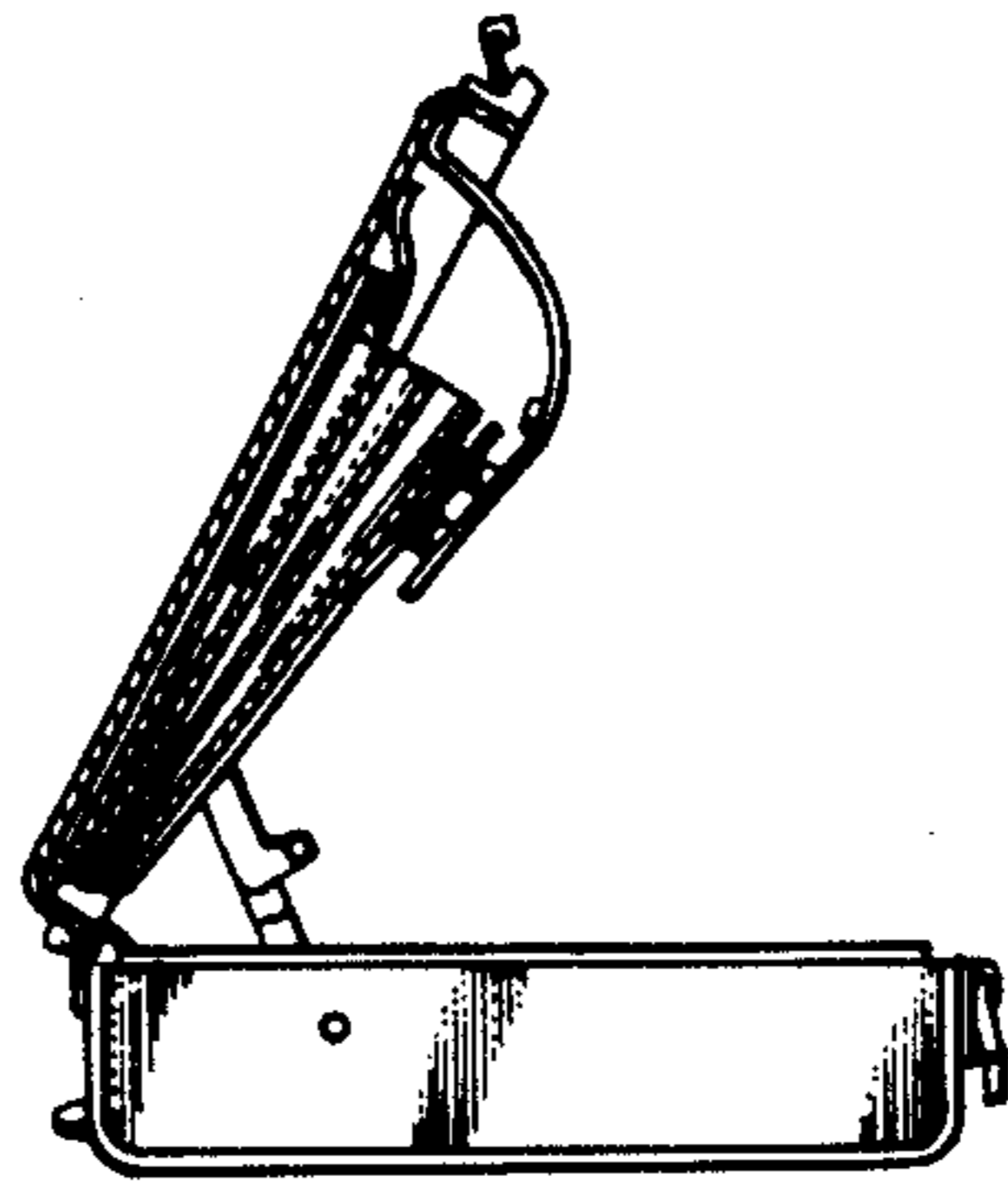


Fig. 4

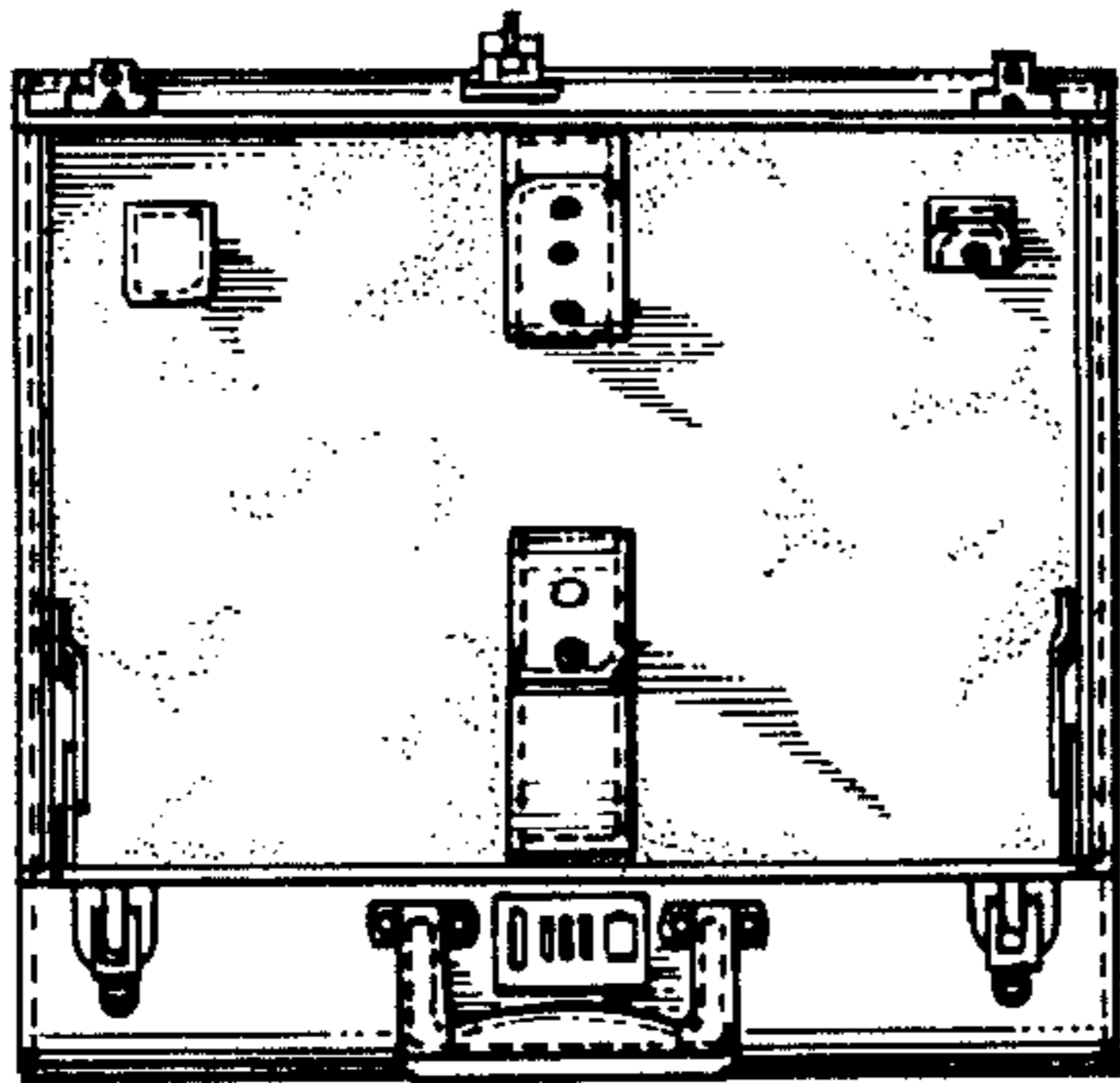


Fig. 5

