

[54] ELBOW GUARD

[75] Inventor: Robert J. Rule, Manhasset, N.Y.

[73] Assignee: W. H. Brine Company, Needham, Mass.

[**] Term: 14 Years

[21] Appl. No.: 915,950

[22] Filed: Jun. 15, 1978

[51] Int. Cl. D2-02

[52] U.S. Cl. D2/27

[58] Field of Search D2/1, 25, 27; D24/49, D24/64, 99; 128/77, 80 C, 165; 273/189 R

[56] References Cited

U.S. PATENT DOCUMENTS

D. 245,429 8/1977 Arluck D24/64

| | | | |
|-----------|--------|-------------------|------------|
| 2,943,859 | 7/1960 | Koski et al. | 128/165 X |
| 3,074,400 | 1/1963 | Schulman | 128/80 C X |
| 3,189,919 | 6/1965 | Chase | D2/27 |
| 3,934,583 | 1/1976 | Hollingshead | 128/165 |

Primary Examiner—Joel Stearman
Assistant Examiner—Jane E. Corrigan
Attorney, Agent, or Firm—Wolf, Greenfield & Sacks

[57] CLAIM

The ornamental design for an elbow guard, as shown and described.

DESCRIPTION

FIG. 1 is a front, top and right side perspective view of an elbow guard showing my new design; FIG. 2 is a top plan view; FIG. 3 is a right side elevational view, the left side being substantially a mirror image thereof; FIG. 4 is a bottom plan view; and FIG. 5 is a rear elevational view.

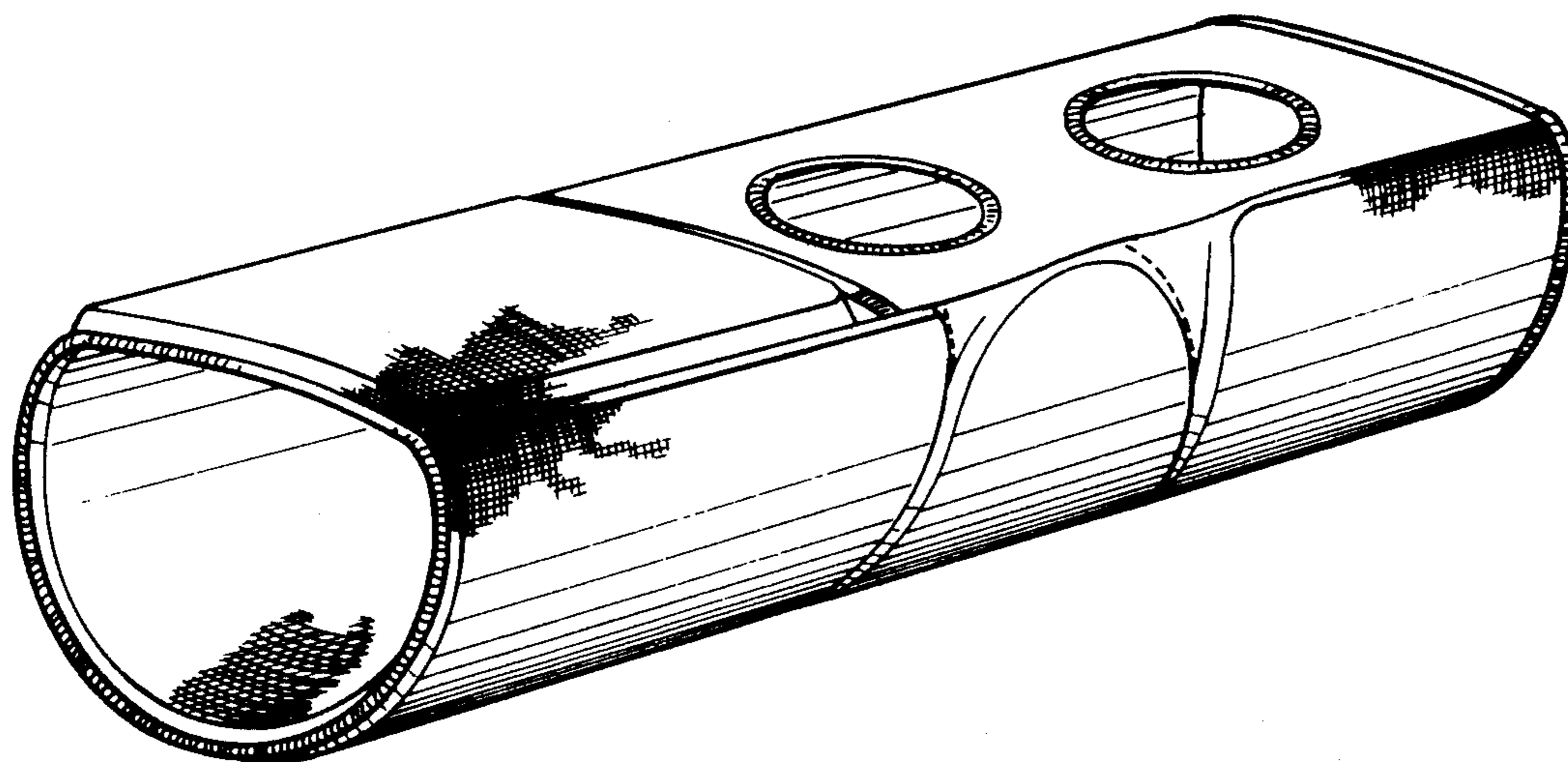


Fig. 1

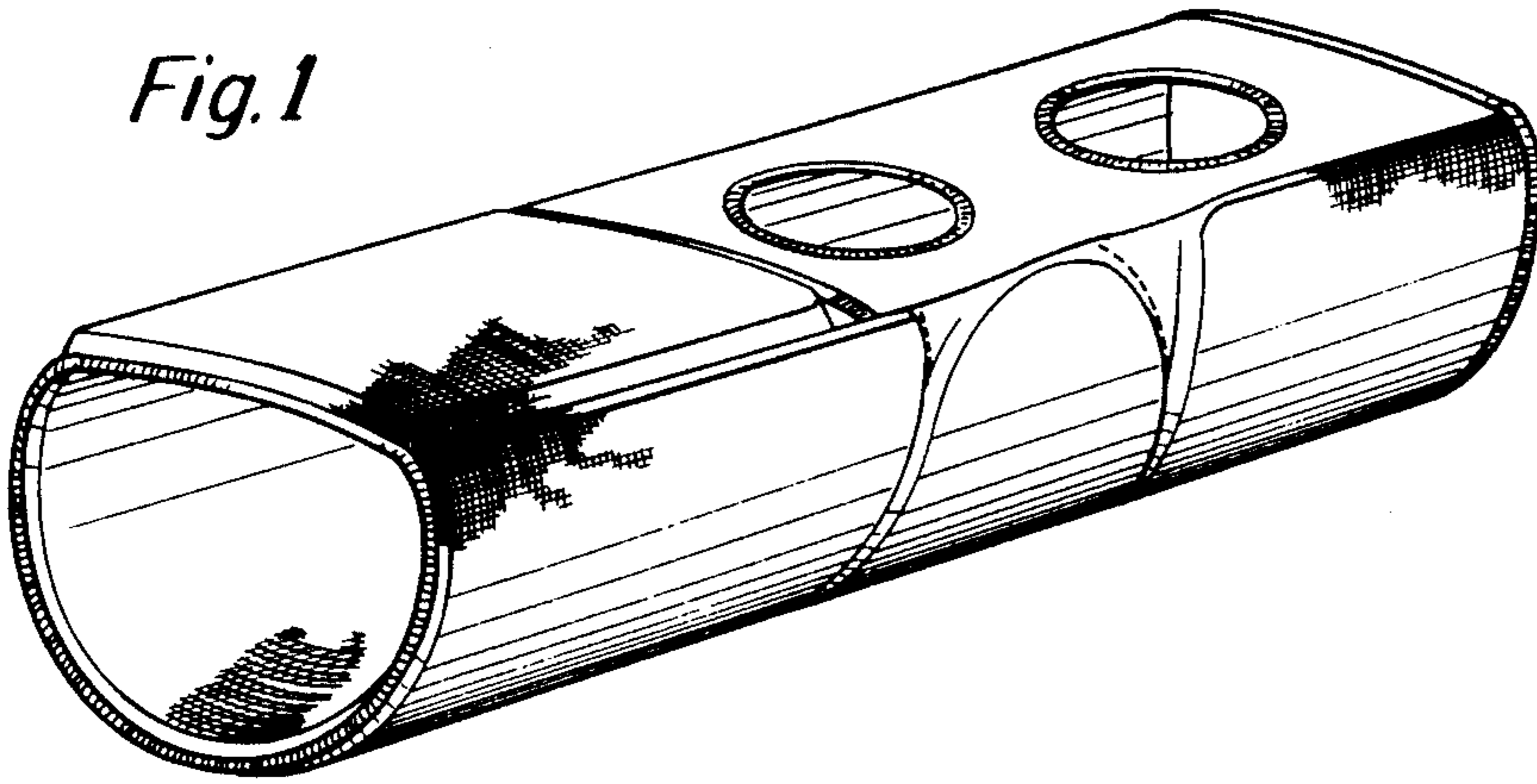


Fig. 2

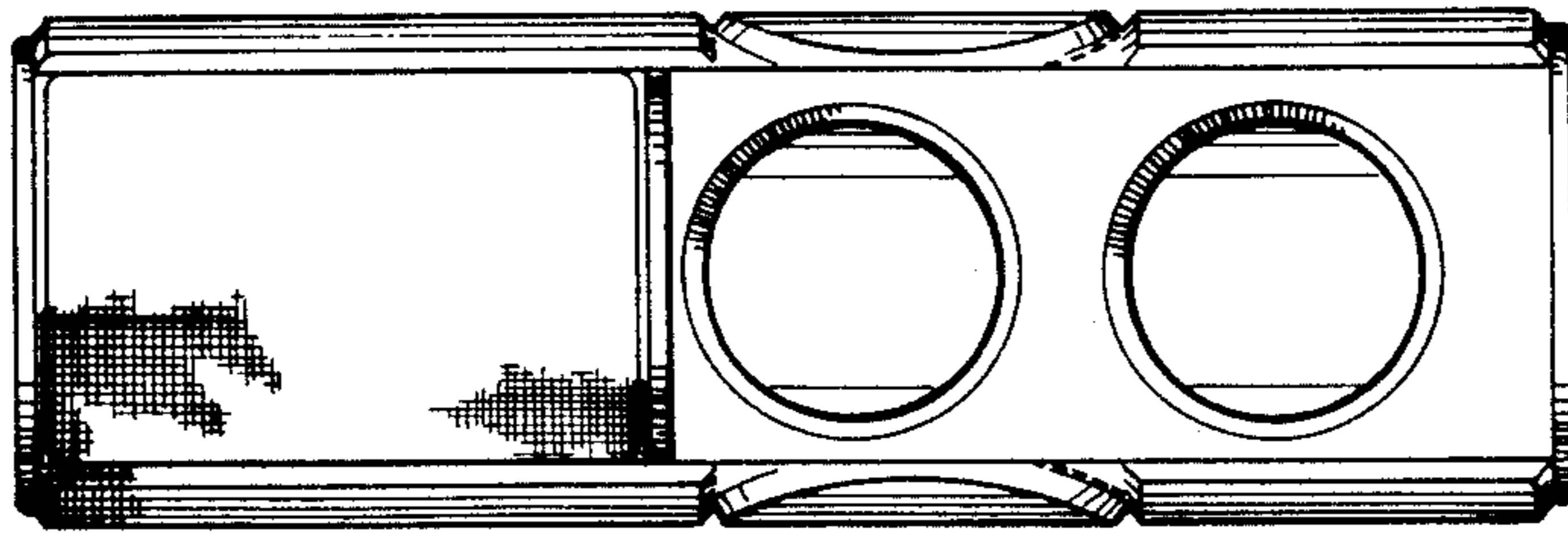


Fig. 3

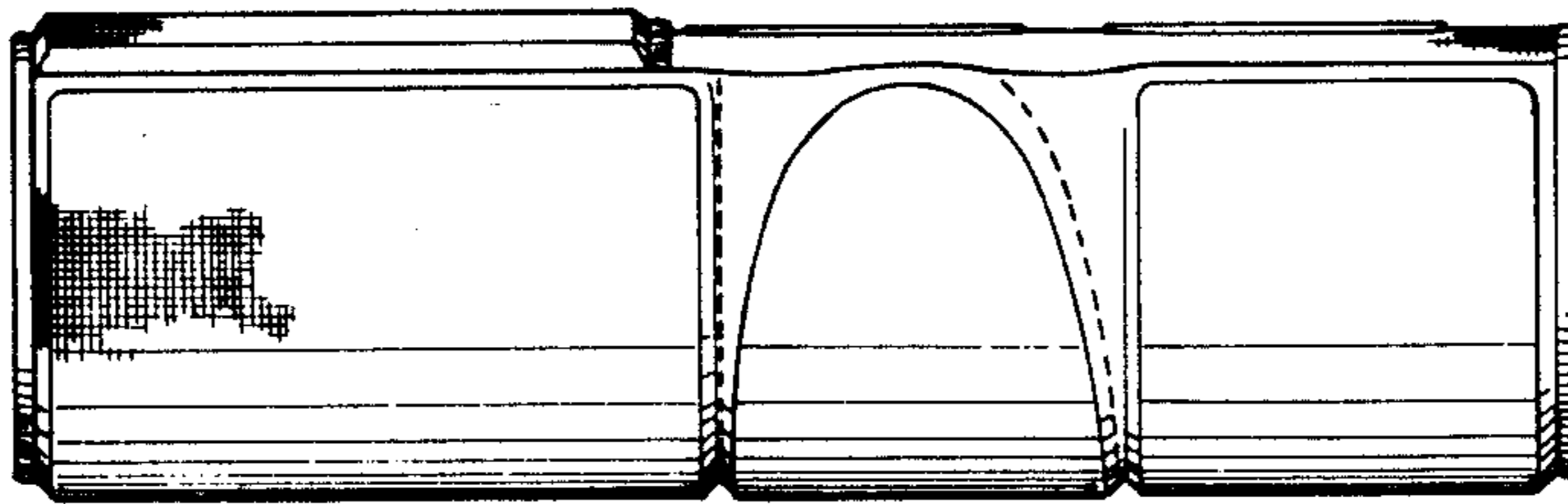


Fig. 4

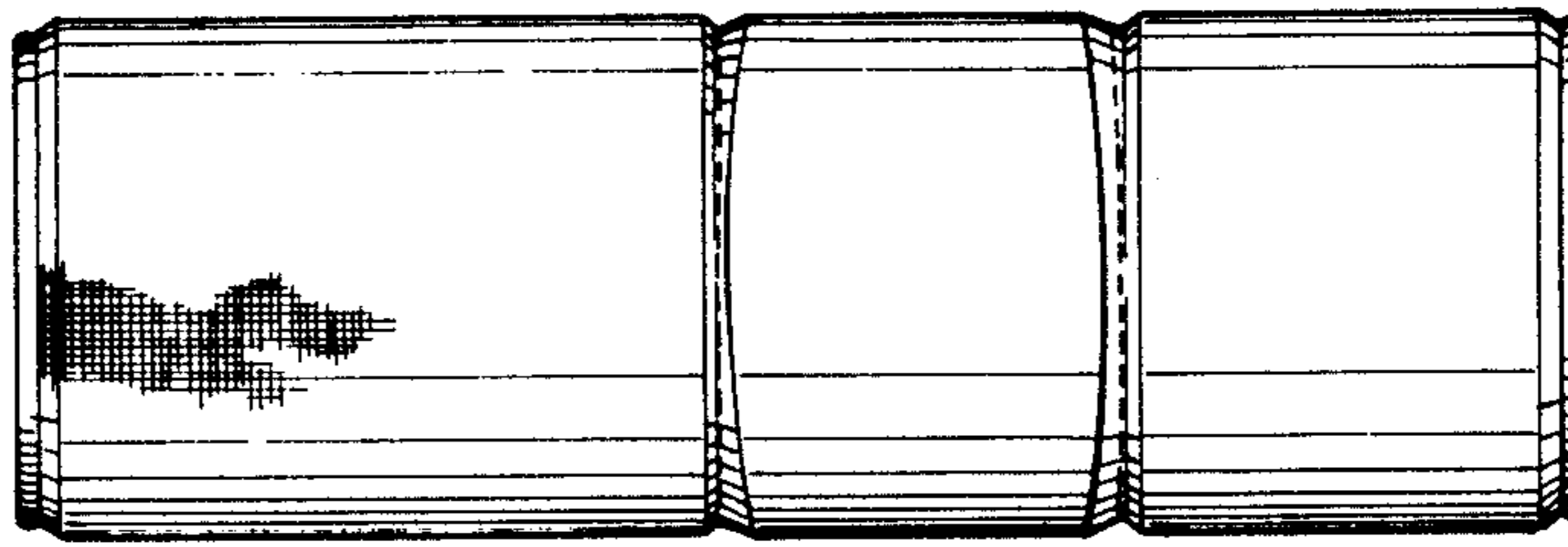


Fig. 5

