

[54] HAIR CURLING TONG

[75] Inventor: **Wilhelmus G. E. Janssens**, Drachten, Netherlands

[73] Assignee: **U.S. Philips Corporation**, Tarrytown, N.Y.

[\*\*] Term: **14 Years**

[21] Appl. No.: **925,406**

[22] Filed: **Jul. 17, 1978**

[30] Foreign Application Priority Data

Feb. 14, 1978 [XB] Benelux ..... 5249200

[51] Int. Cl. .... D28-03

[52] U.S. Cl. .... D28/35; D28/16

[58] Field of Search ..... D28/10, 12, 13, 15-18, D28/35; 132/7, 9, 37 R, 37 A; 219/222, 225

[56] References Cited

U.S. PATENT DOCUMENTS

D. 247,581 3/1978 Van Dyck et al. .... D28/16

FOREIGN PATENT DOCUMENTS

503001 12/1954 Italy ..... 219/225  
1375768 11/1974 United Kingdom ..... 219/225

OTHER PUBLICATIONS

*Home Furnishings Daily*, 7/12/1976, Section 2, p. 10—Gillette Supercurl at upper right.

*Primary Examiner*—Louis S. Zarfes  
*Attorney, Agent, or Firm*—Frank R. Trifari

[57] CLAIM

The ornamental design for a hair curling tong, as shown and described.

DESCRIPTION

FIG. 1 is a perspective view of a hair curling tong showing my new design with the tongs in telescoped position;  
FIG. 2 is a perspective view of the hair curling tong with the tongs in position for use;  
FIG. 3 is a right side elevational view of FIG. 2;  
FIG. 4 is a left side elevational view of FIG. 2;  
FIG. 5 is a top plan view of FIG. 2;  
FIG. 6 is a bottom plan view of FIG. 2;  
FIG. 7 is a front elevational view of FIG. 2;  
FIG. 8 is a rear elevational view of FIG. 2.

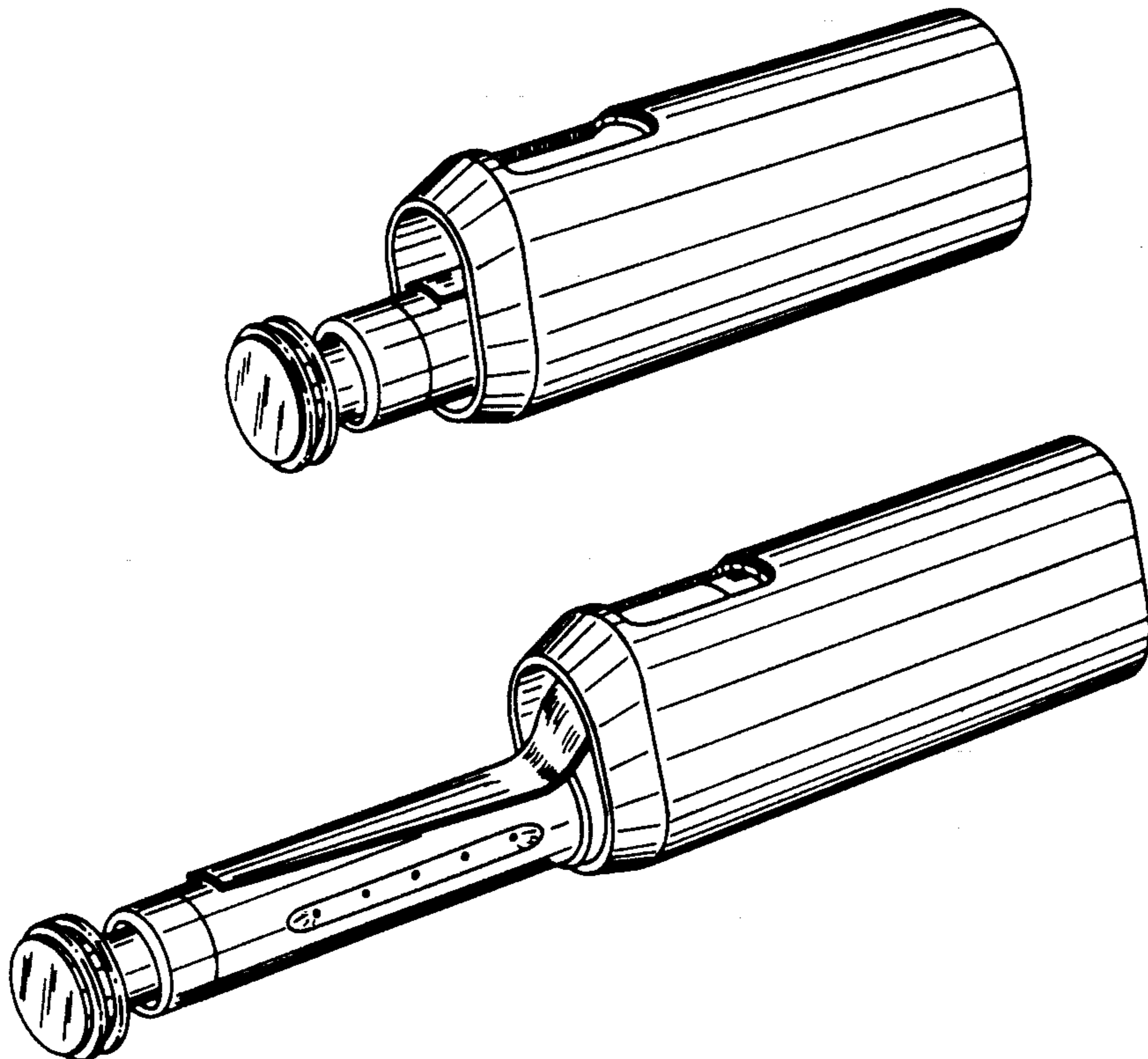


FIG. 1

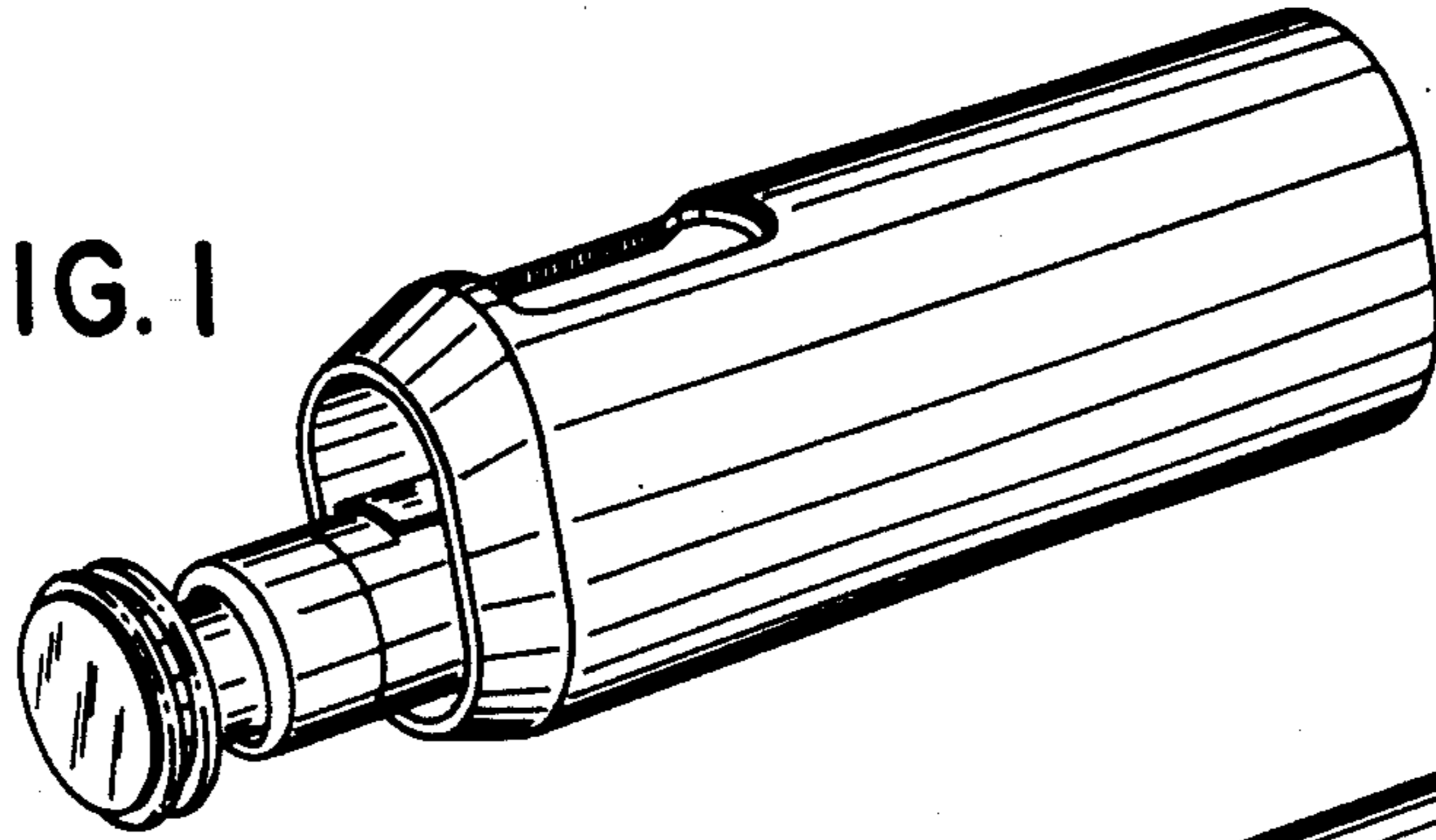


FIG. 2

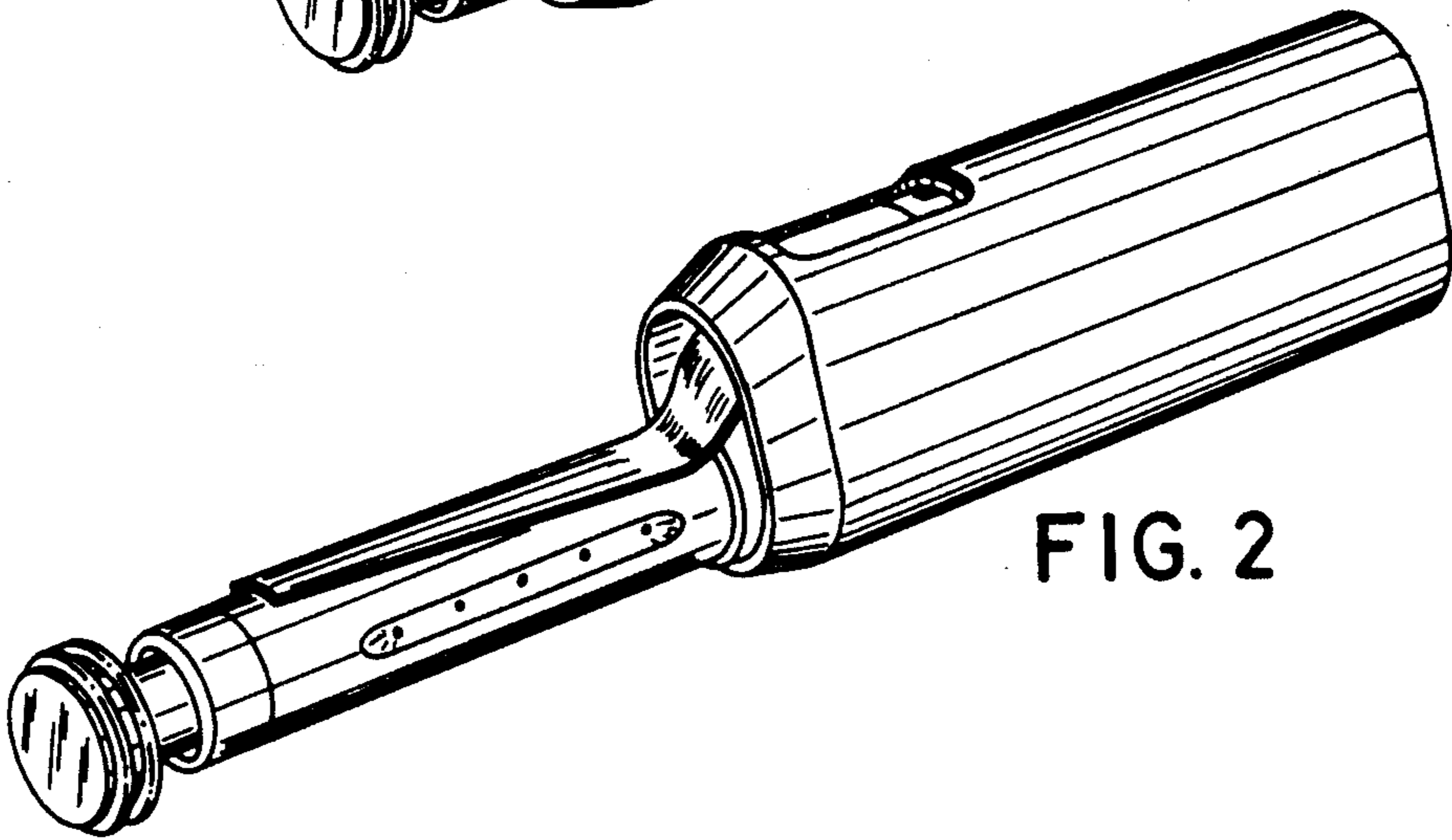
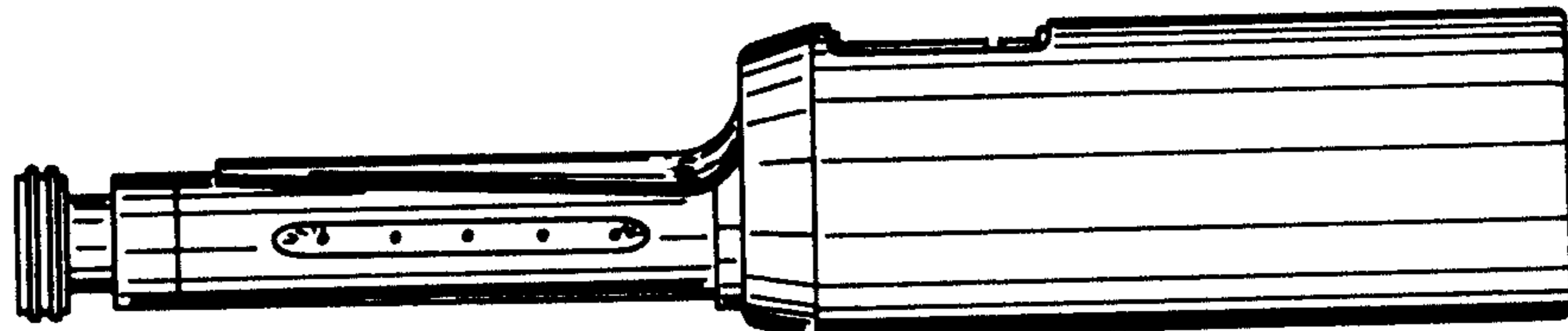


FIG. 3



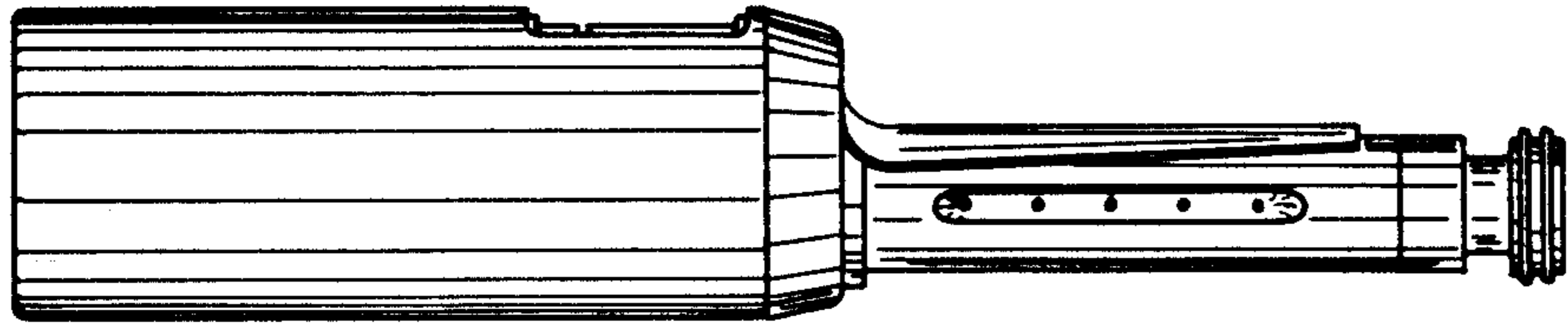


FIG. 4

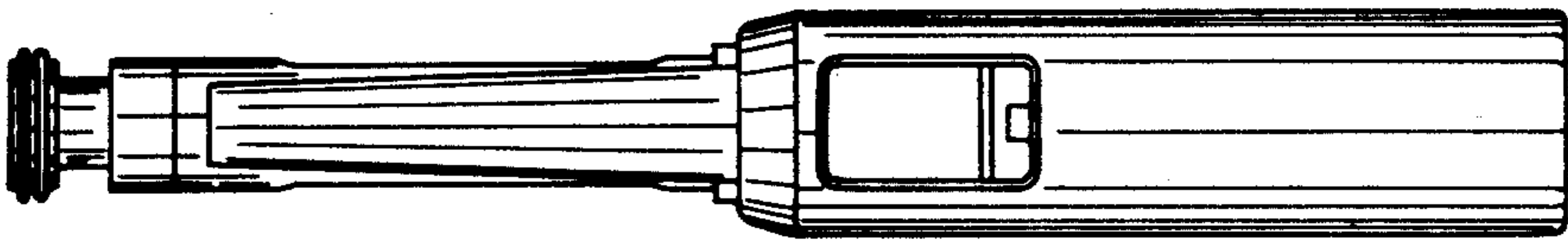


FIG. 5

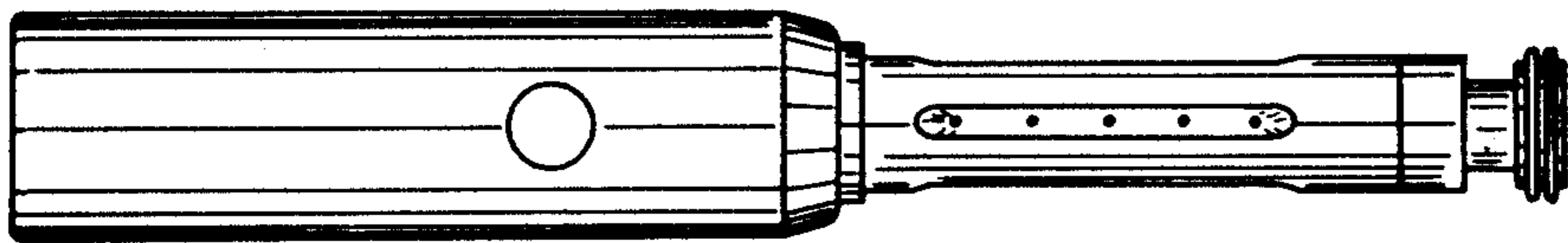


FIG. 6

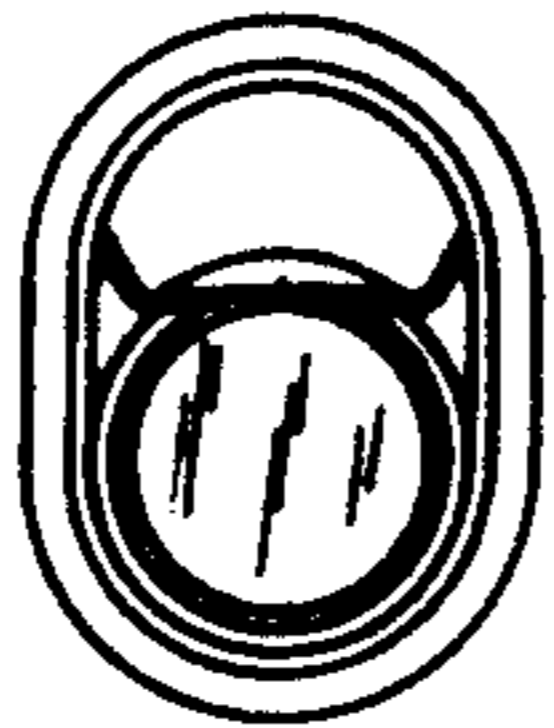


FIG. 7

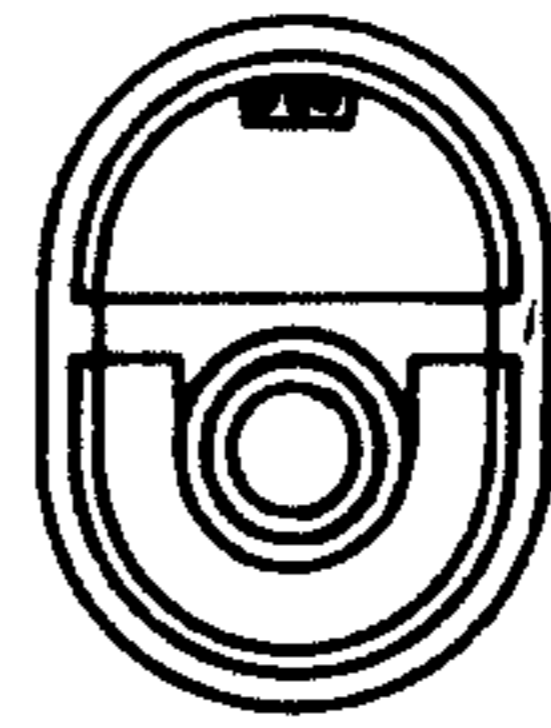


FIG. 8