

[54] HAIR TREATMENT IRON

[76] Inventor: John Cusenza, 9660 Lurline Ave., Chatsworth, Calif. 91311

[*] Notice: The portion of the term of this patent subsequent to Oct. 23, 1996, has been disclaimed.

[**] Term: 14 Years

[21] Appl. No.: 881,886

[22] Filed: Feb. 27, 1978

[51] Int. Cl. D28-03
[52] U.S. Cl. D28/35
[58] Field of Search D28/35, 38; 219/222, 219/225, 226; 132/7, 9, 32 R, 32 A, 37 R

[56] References Cited

U.S. PATENT DOCUMENTS

D. 227,189	6/1973	Cusenza	D28/35
1,449,632	3/1923	Talbot	132/32 R
1,465,838	8/1923	Caneavri	132/32 R

OTHER PUBLICATIONS

Modern Beauty Shop, Apr. 1975, p. 74—Sebastian Hair Iron at top right.

Primary Examiner—Louis S. Zarfes
Attorney, Agent, or Firm—W. Robert Spensley

[57] CLAIM

The ornamental design for a hair treatment iron, as shown.

DESCRIPTION

FIG. 1 is a right side elevational view of a hair treatment iron showing my new design;
FIG. 2 is a left side elevational view thereof;
FIG. 3 is a front elevational view thereof;
FIG. 4 is a rear elevational view thereof; and
FIG. 5 is a top plan view thereof.

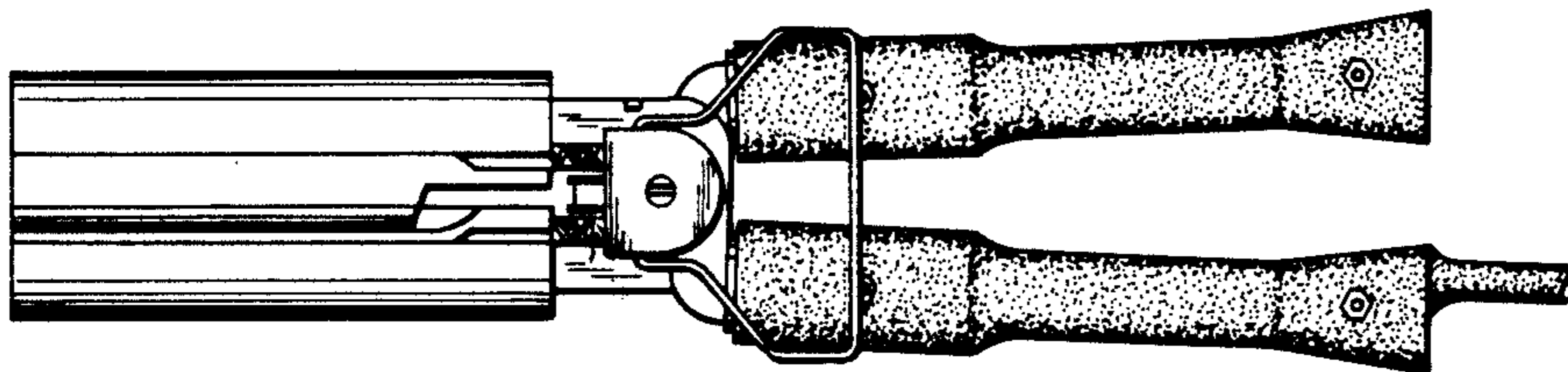
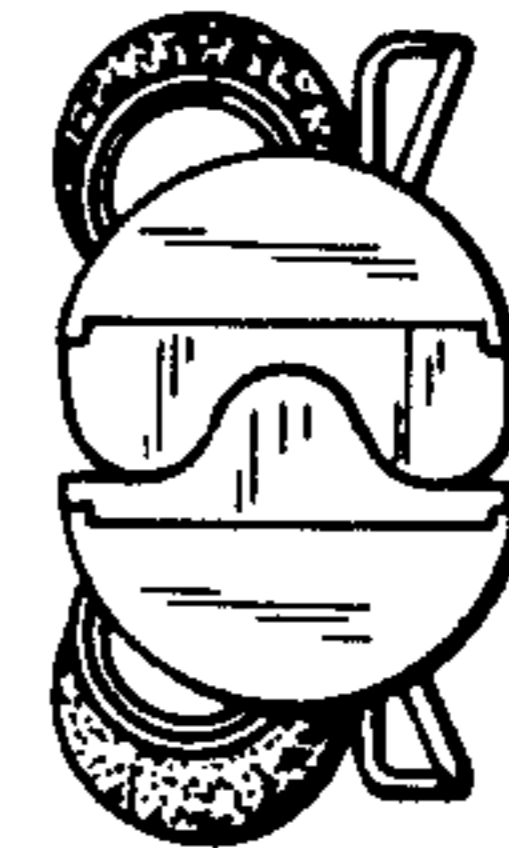


Fig. 1

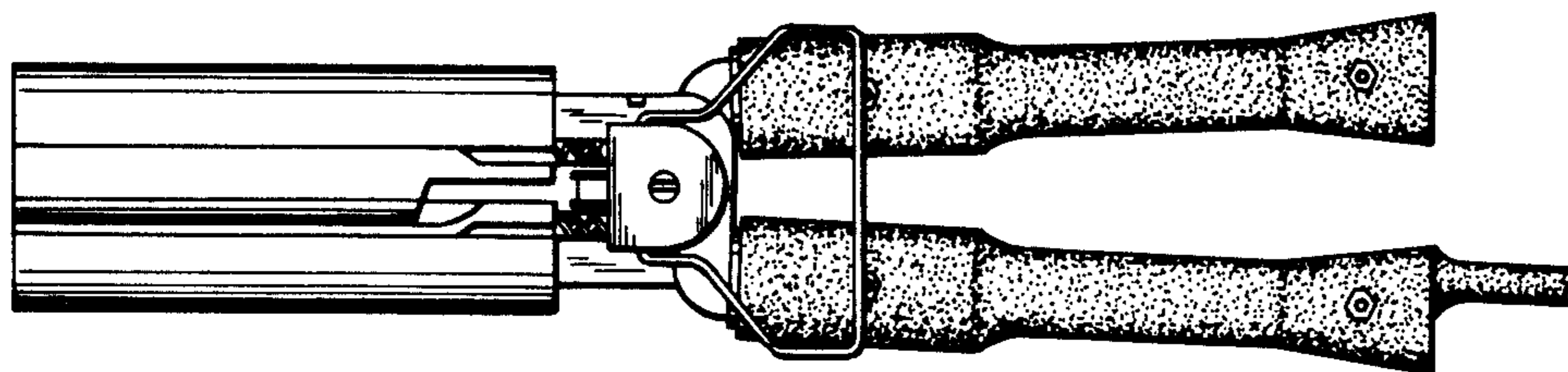


Fig. 2

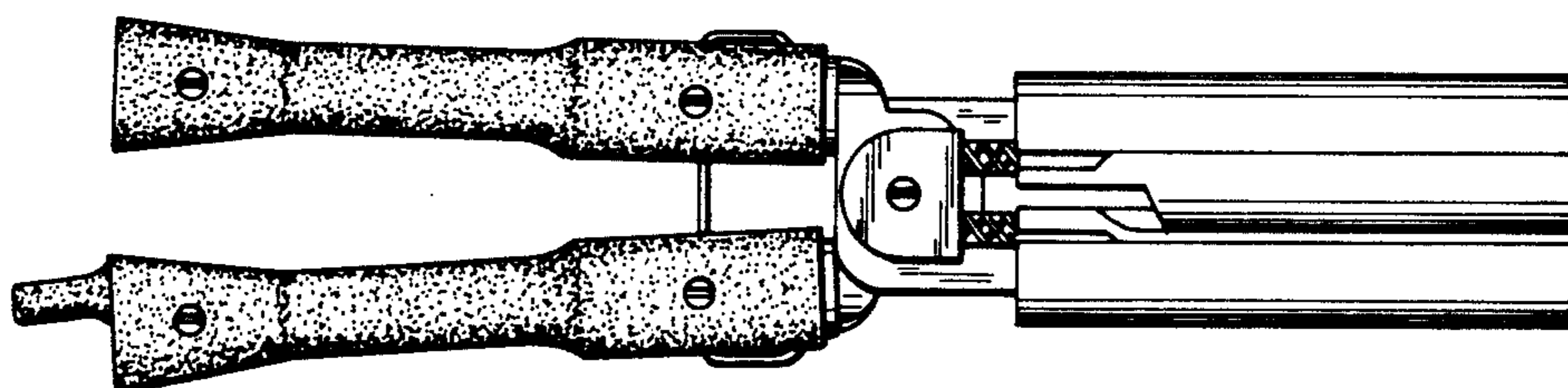


Fig. 3



Fig. 4

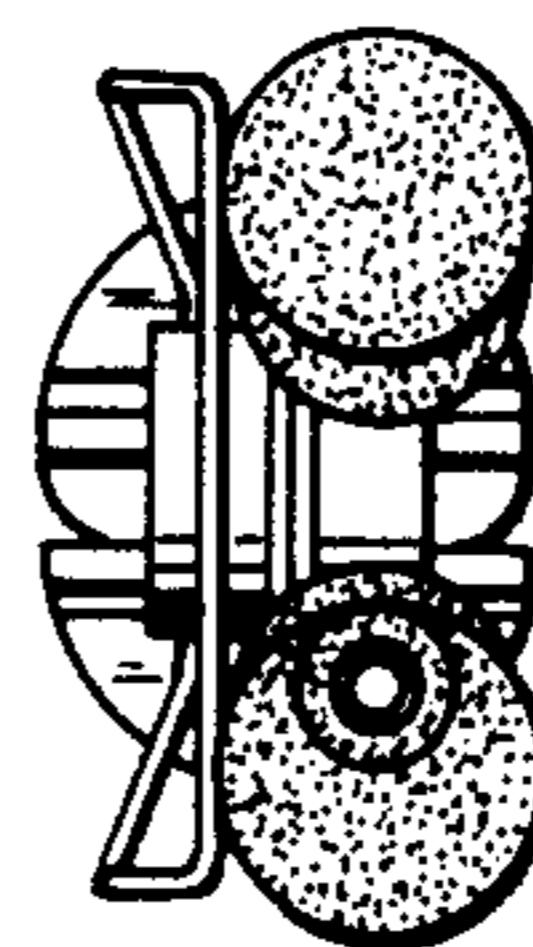


Fig. 5

