

[54] BUILDING BLOCK

[76] Inventor: Anthony N. Iannarelli, 345 N. Washington St., Belchertown, Mass. 01007

[**] Term: 14 Years

[21] Appl. No.: 887,195

[22] Filed: Mar. 16, 1978

[51] Int. Cl. D25-01

[52] U.S. Cl. D25/87; D25/80; D25/91; D25/92

[58] Field of Search D25/80, 86, 87, 88, D25/91, 92; 52/309, 145, 606, 607, 169

[56]

References Cited

U.S. PATENT DOCUMENTS

3,204,381	9/1965	Perreton	D25/92 X
3,318,059	5/1967	Wright	D25/80 X
4,071,989	2/1978	Warren	D25/80 X

Primary Examiner—A. Hugo Word
Attorney, Agent, or Firm—Kenwood Ross

[57]

CLAIM

The ornamental design for a building block, as shown.

DESCRIPTION

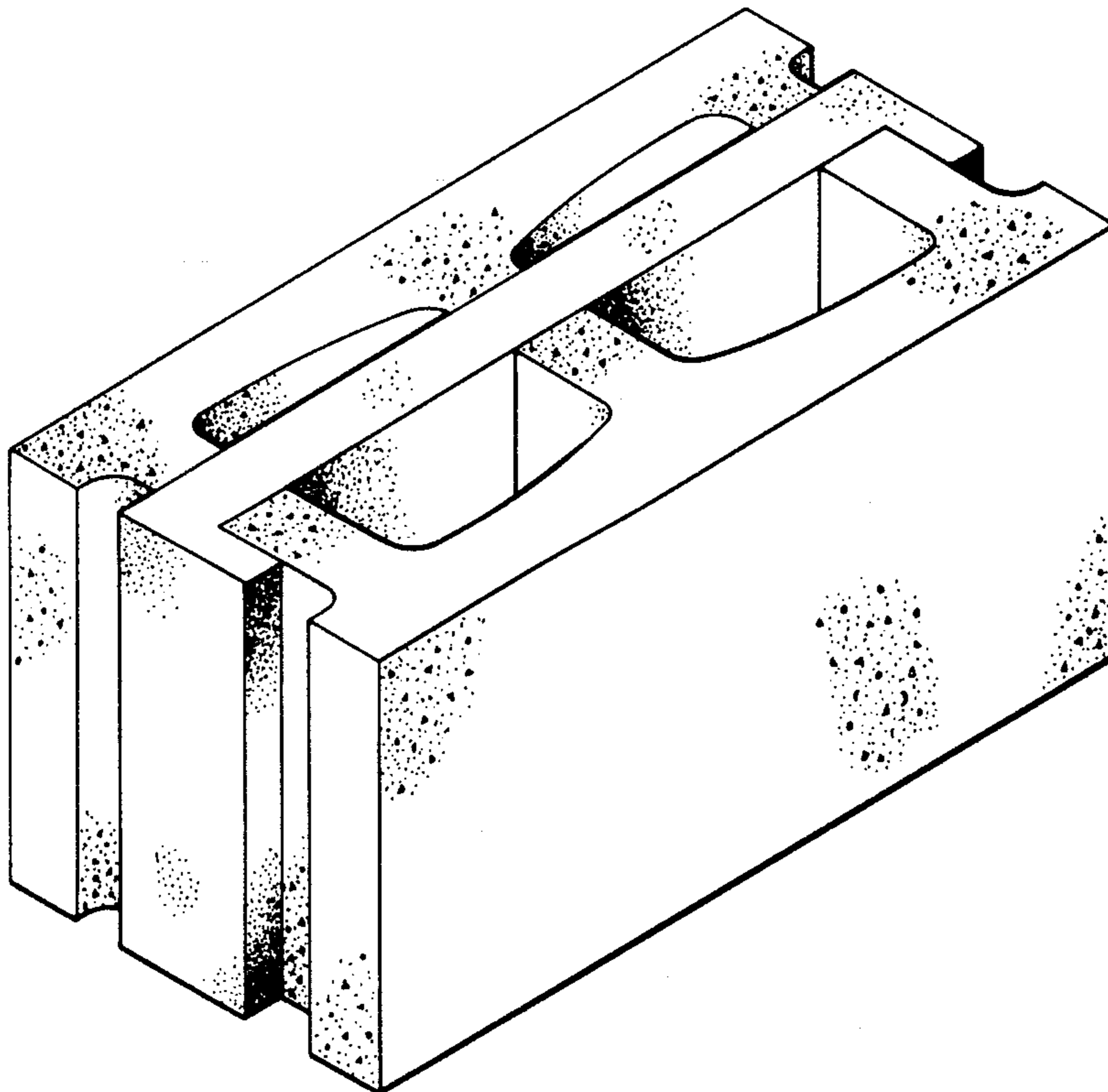
FIG. 1 is a perspective view of a building block embodying my new design;

FIG. 2 is a top plan view thereof;

FIG. 3 is an end elevational view thereof;

FIG. 4 is a bottom plan view thereof; and

FIG. 5 is a front elevational view thereof.



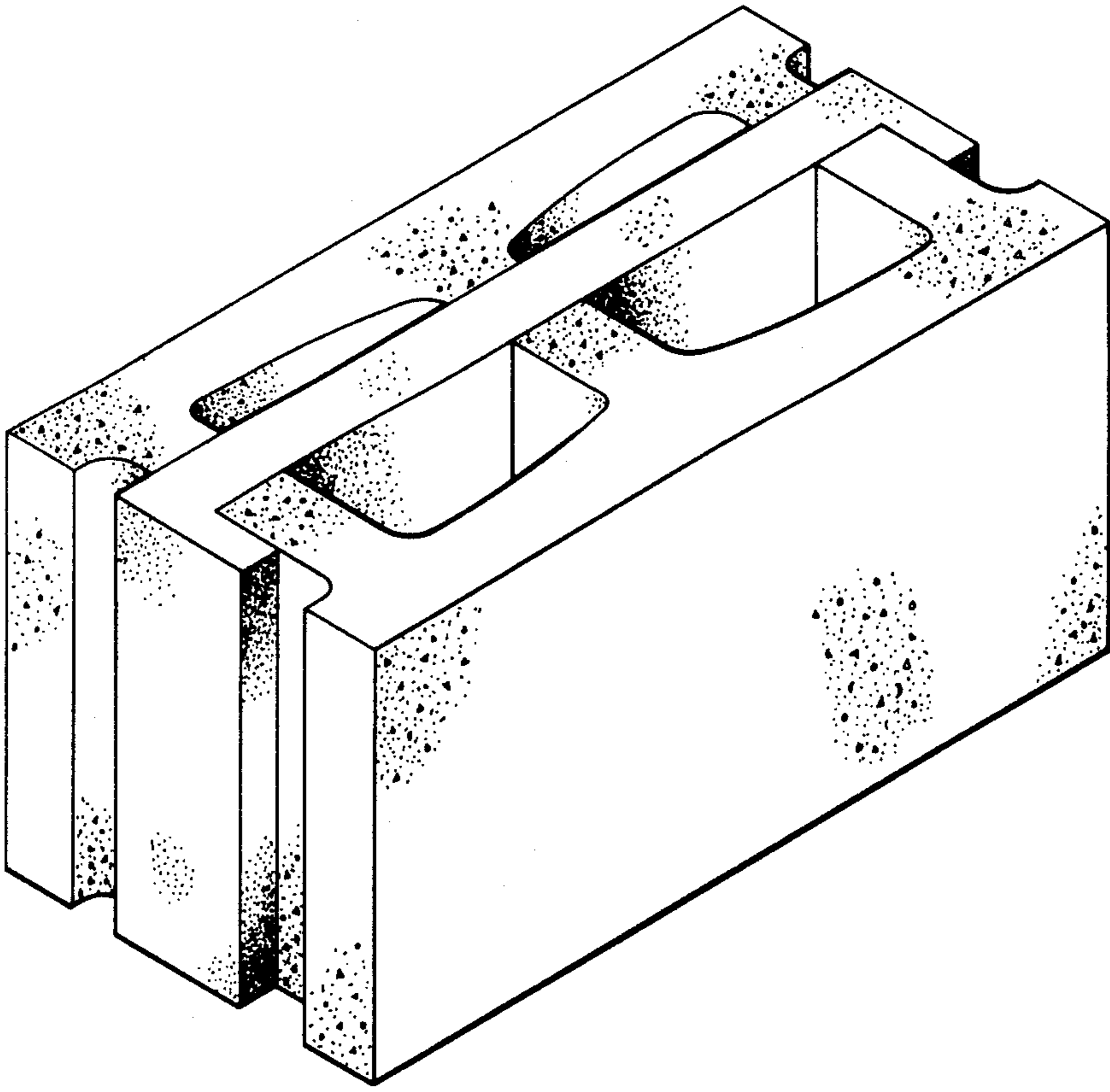


FIG. I.

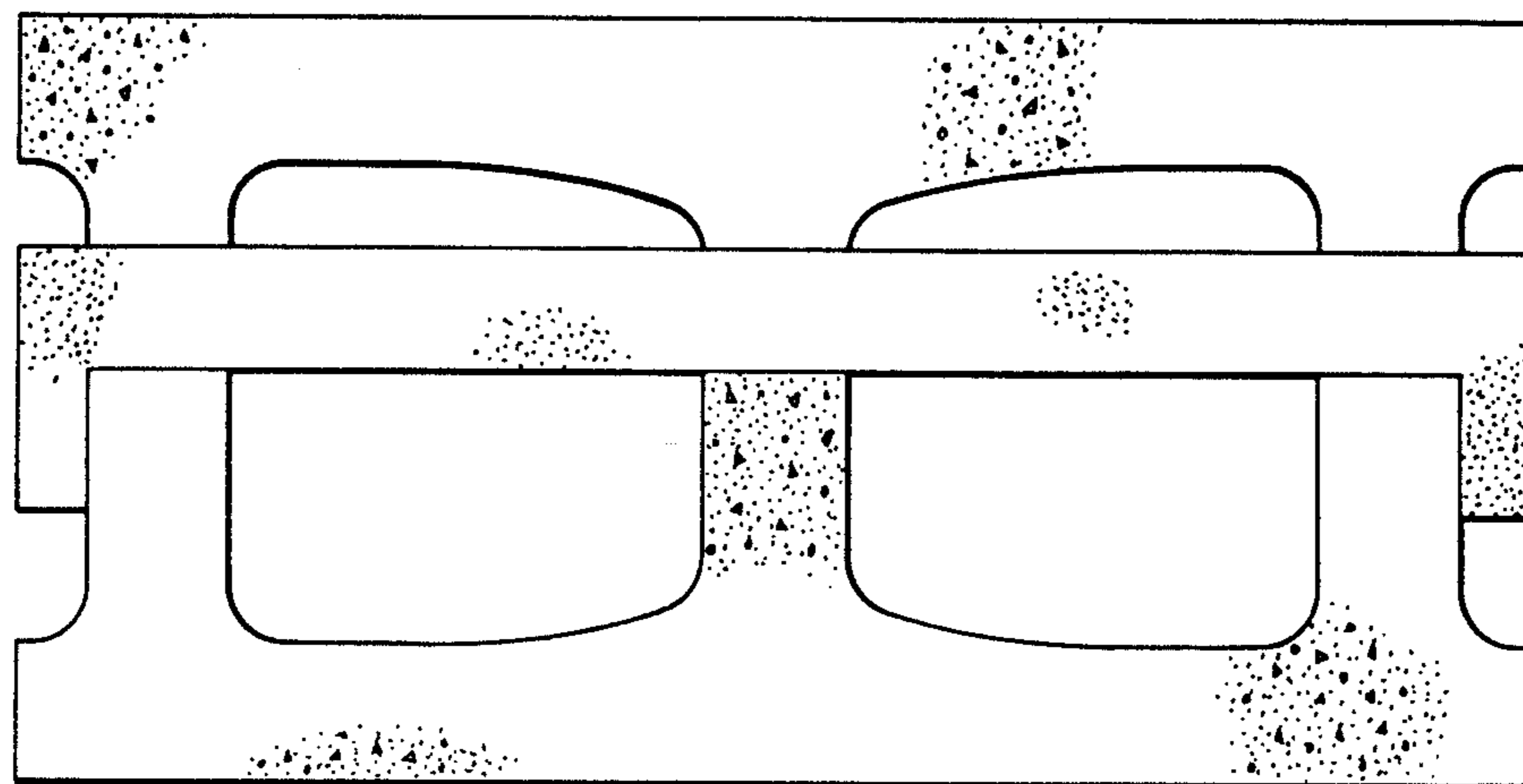


FIG. 2.

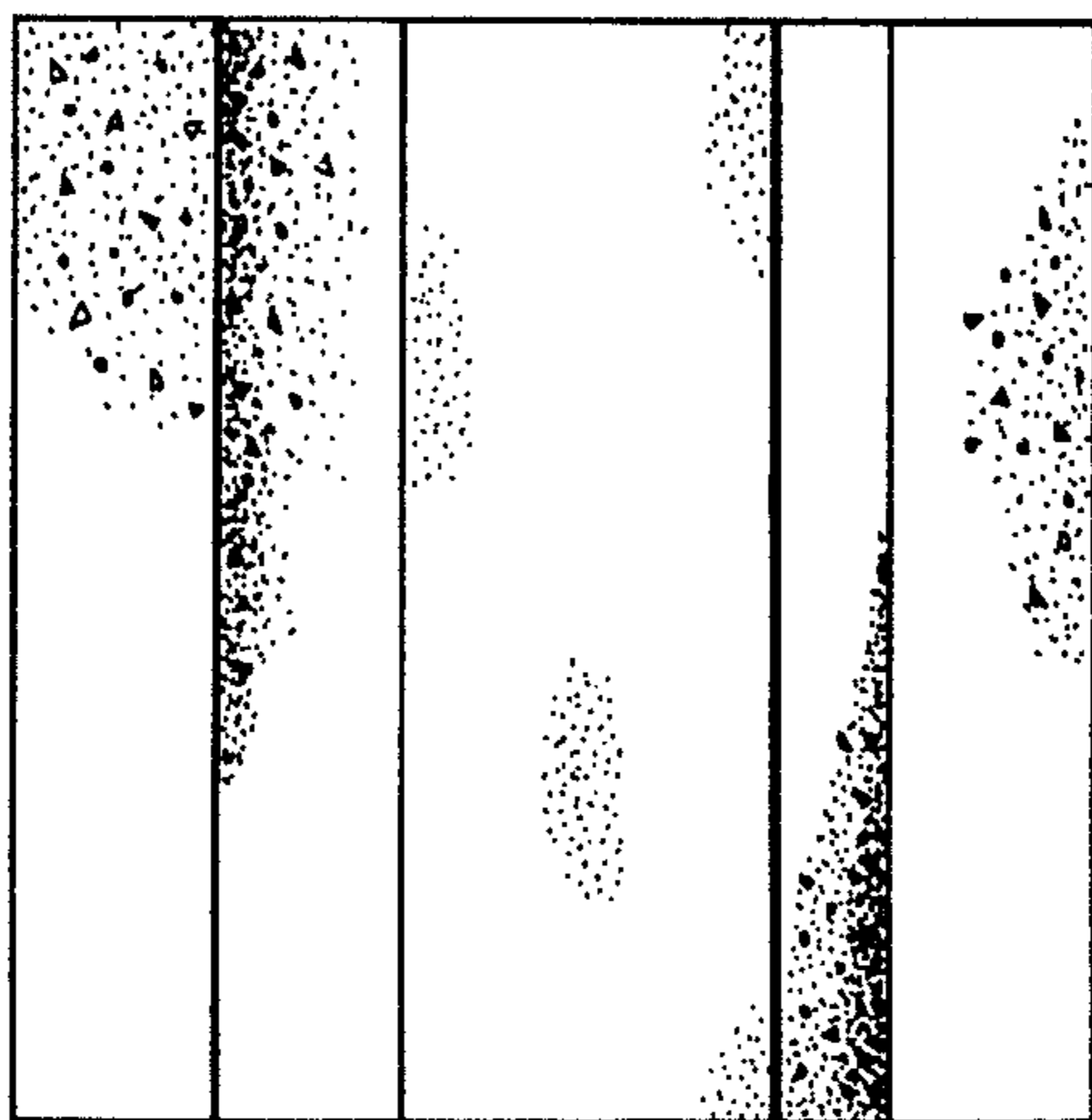


FIG. 3.

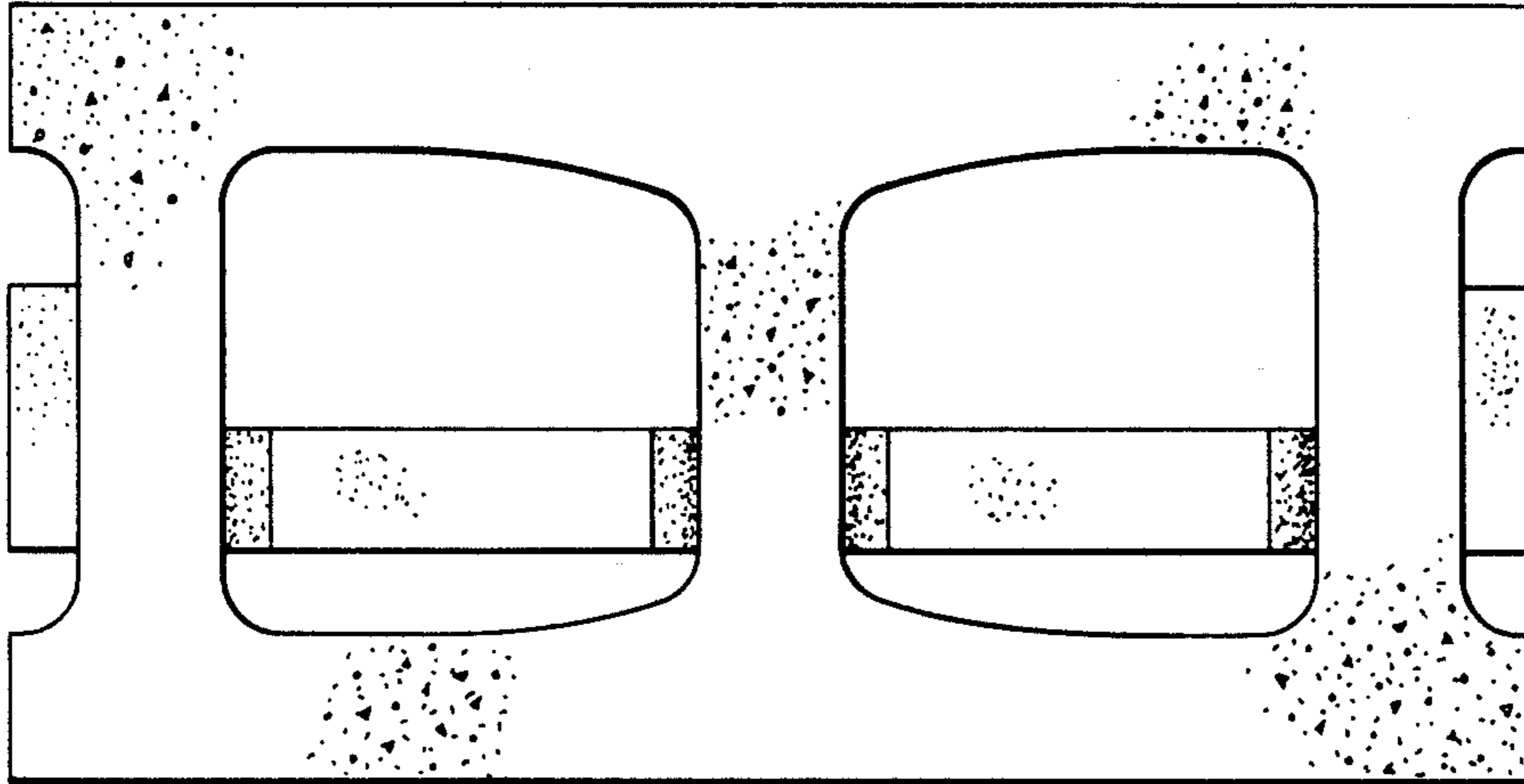


FIG. 4.

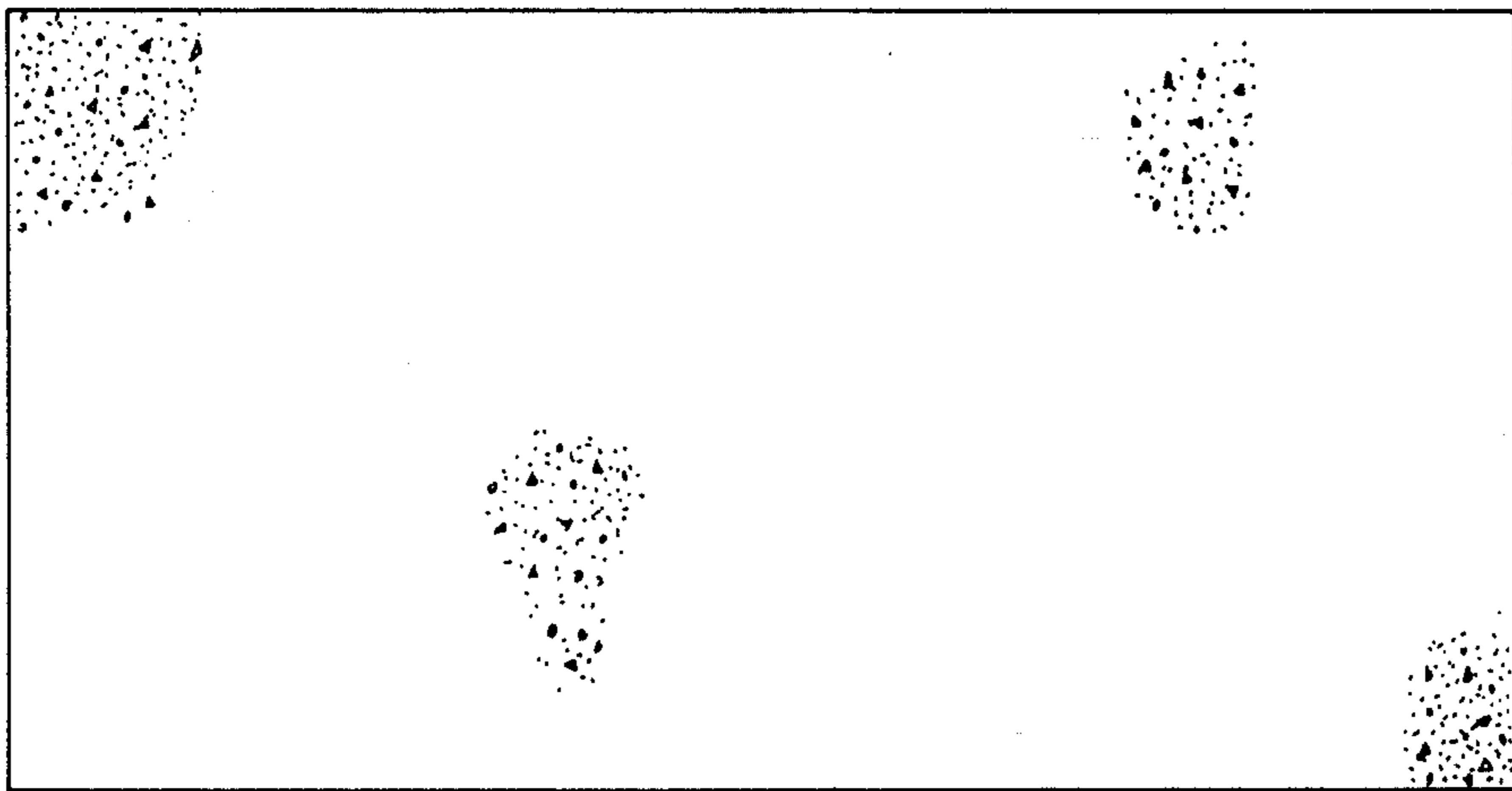


FIG. 5.