

[54] STERILIZER UNIT

[75] Inventors: Michael D. Thomas, Arab, Ala.;
Francis E. Ryder, Barrington, Ill.

[73] Assignee: Ryder International Corporation,
Hanover Park, Ill.

[**] Term: 14 Years

[21] Appl. No.: 883,343

[22] Filed: Mar. 3, 1978

[51] Int. Cl. D24-01

[52] U.S. Cl. D24/9; 422/243

[58] Field of Search D24/9; 422/243, 297,
422/300, 302; D16/48, 82, 83

[56] References Cited

U.S. PATENT DOCUMENTS

D. 243,287 2/1977 Hoogesteger D24/9

Primary Examiner—Sam Rosen

Attorney, Agent, or Firm—Richard R. Trexler

[57] CLAIM

The ornamental design for a sterilizer unit, substantially as shown and described.

DESCRIPTION

FIG. 1 is a perspective view of our new sterilizer unit design with the drawer in the closed position;

FIG. 2 is a perspective view similar to FIG. 1 with the drawer in the open position;

FIG. 3 is a top plan view of our sterilizer unit with the drawer in the closed position as per FIG. 1;

FIG. 4 is a top plan view of our sterilizer unit with the drawer in the open position as per FIG. 1;

FIG. 5 is a front elevational view of our sterilizer unit design;

FIG. 6 is a rear elevational view of our sterilizer unit design;

FIG. 7 is a side elevational view of our sterilizer unit with the drawer in the closed condition;

FIG. 8 is a side view of the sterilizer unit with the drawer in the open condition;

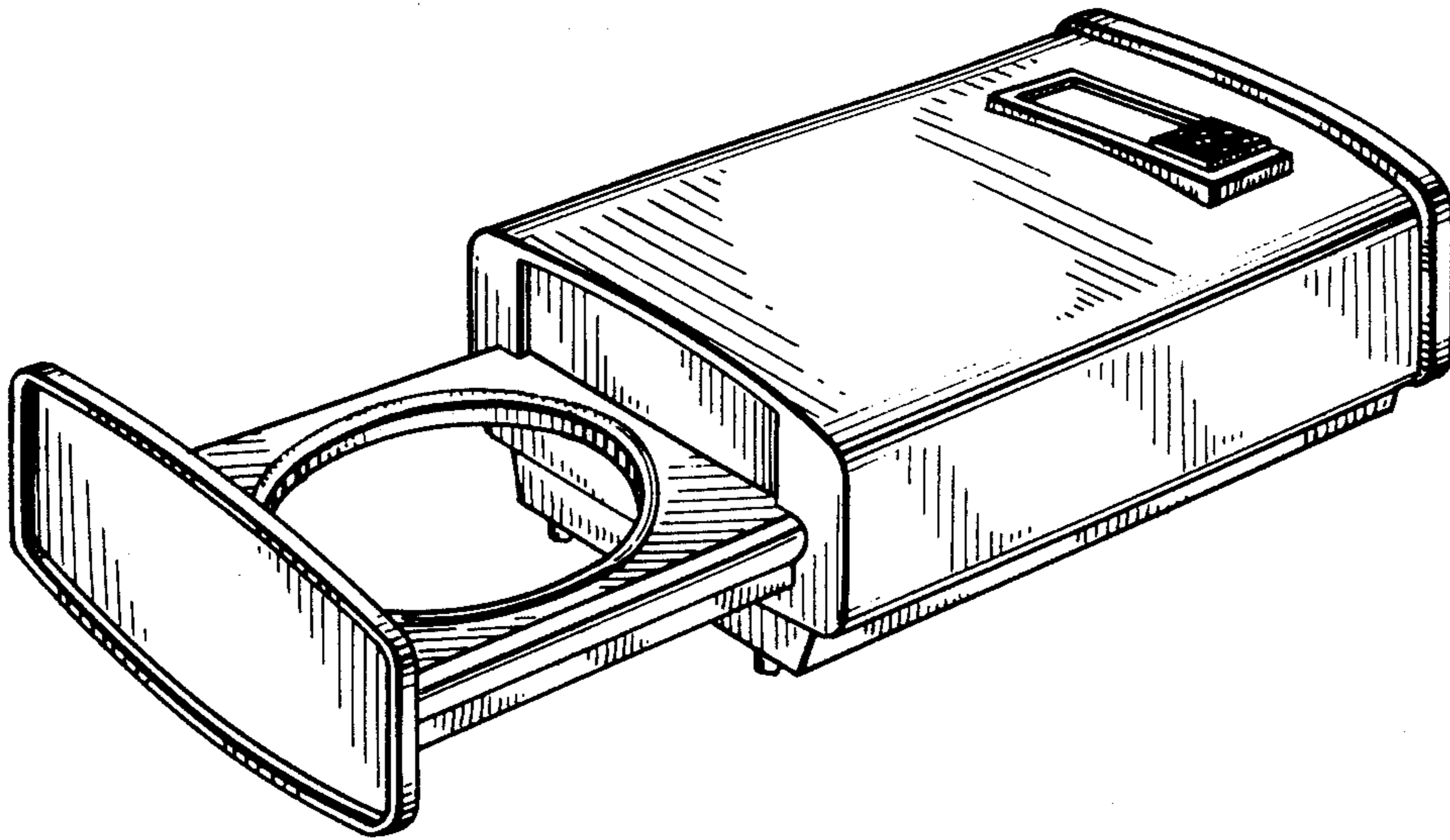


FIG. 1.

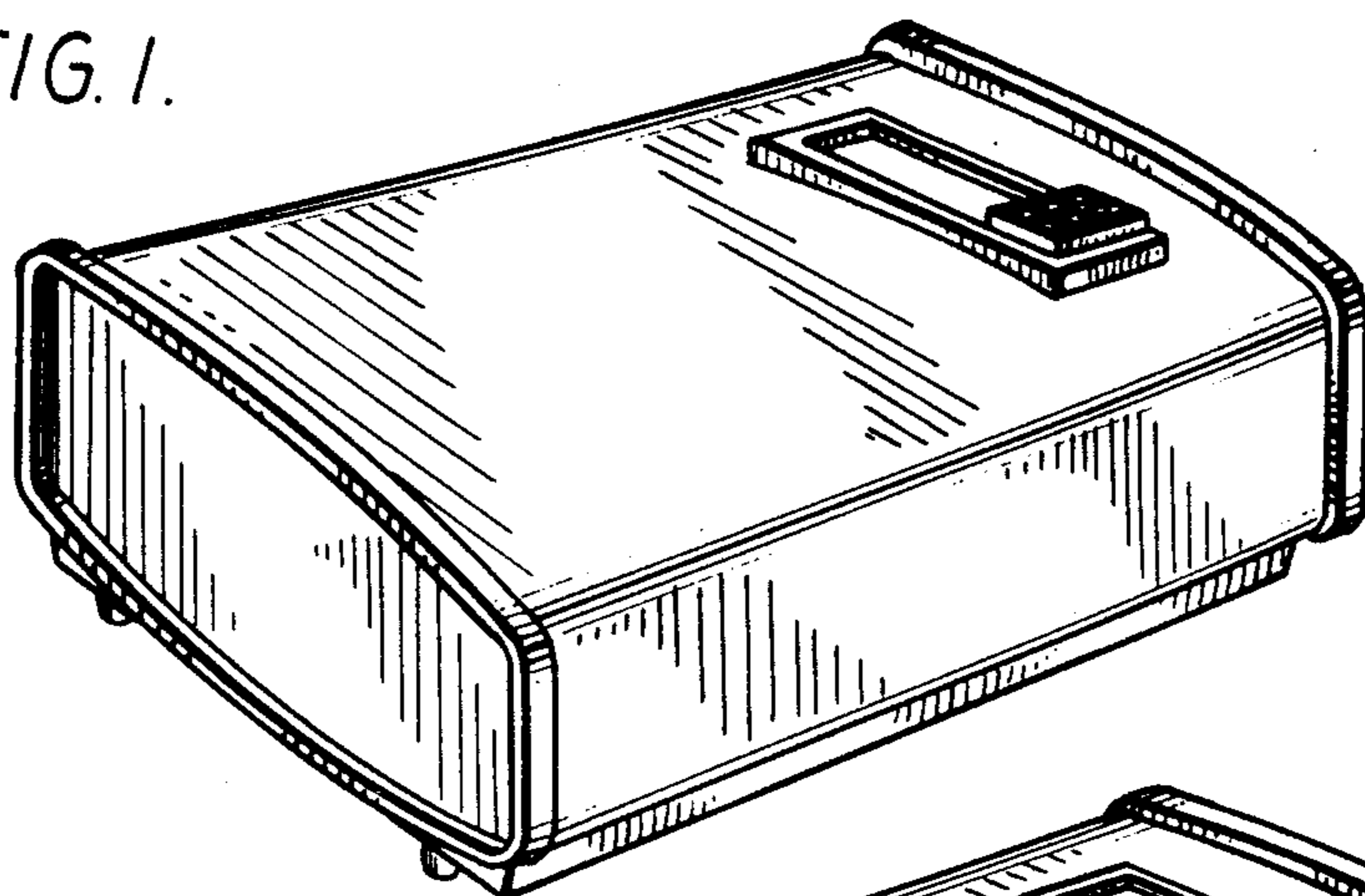


FIG. 2.

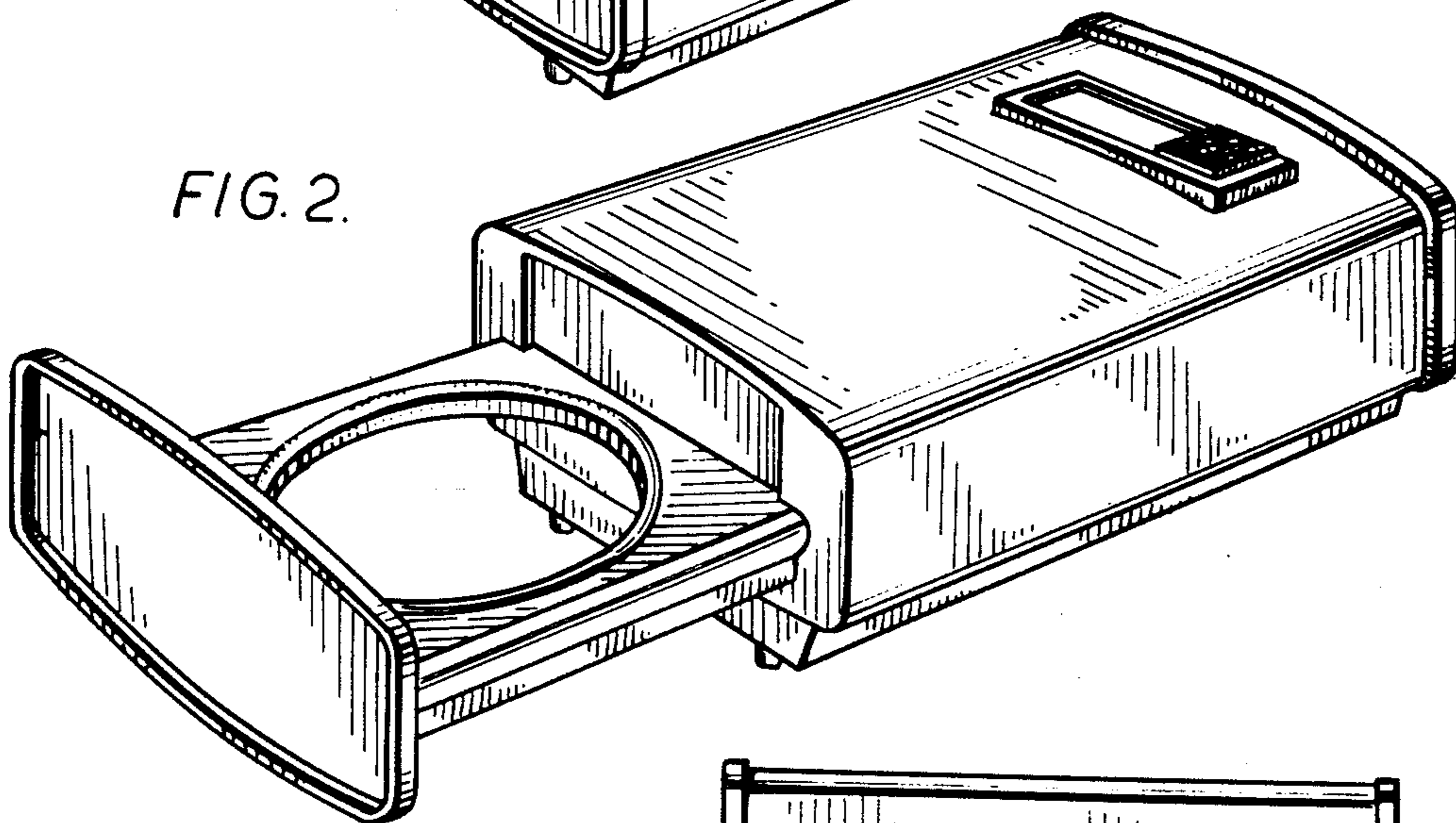


FIG. 3.

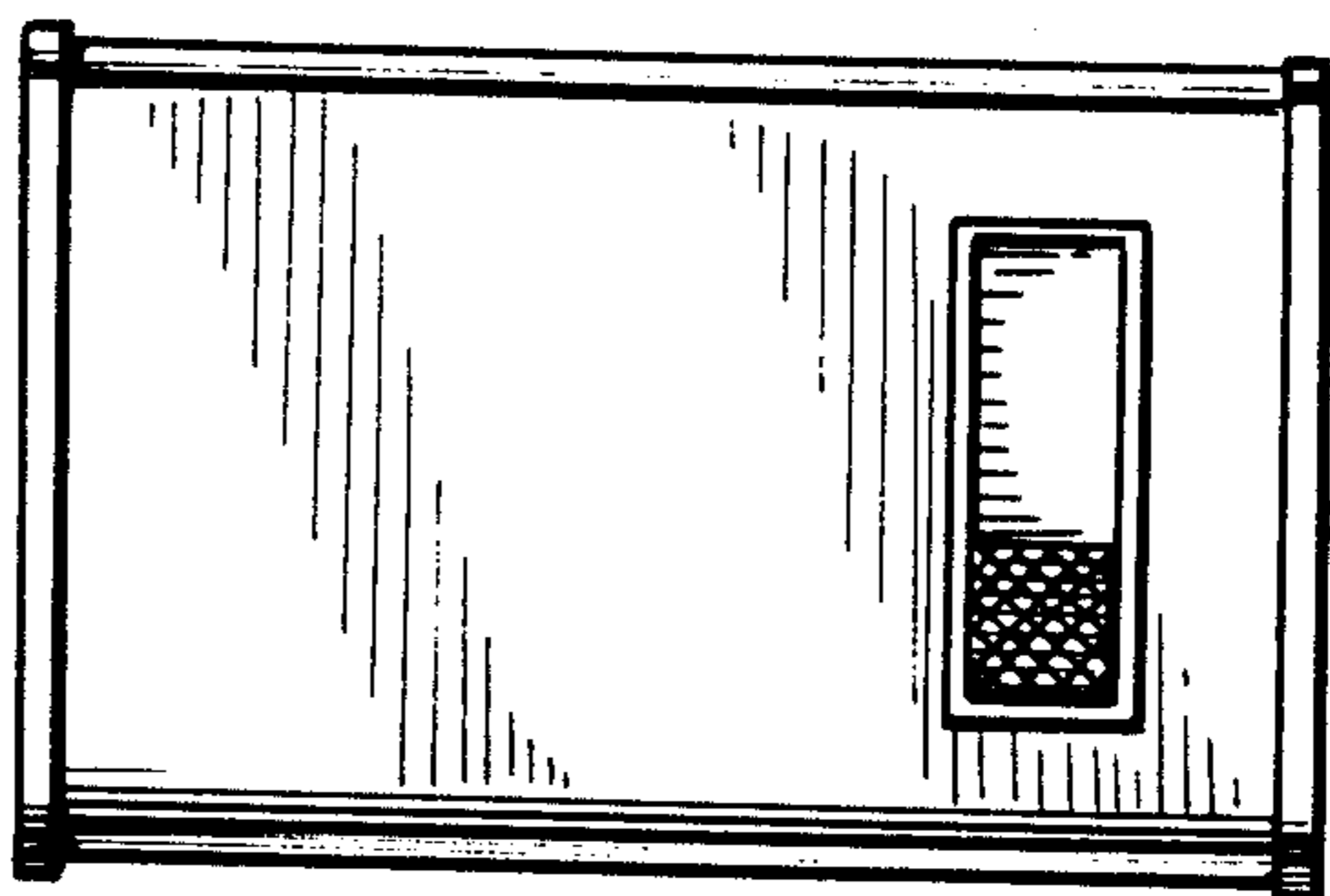


FIG. 4.

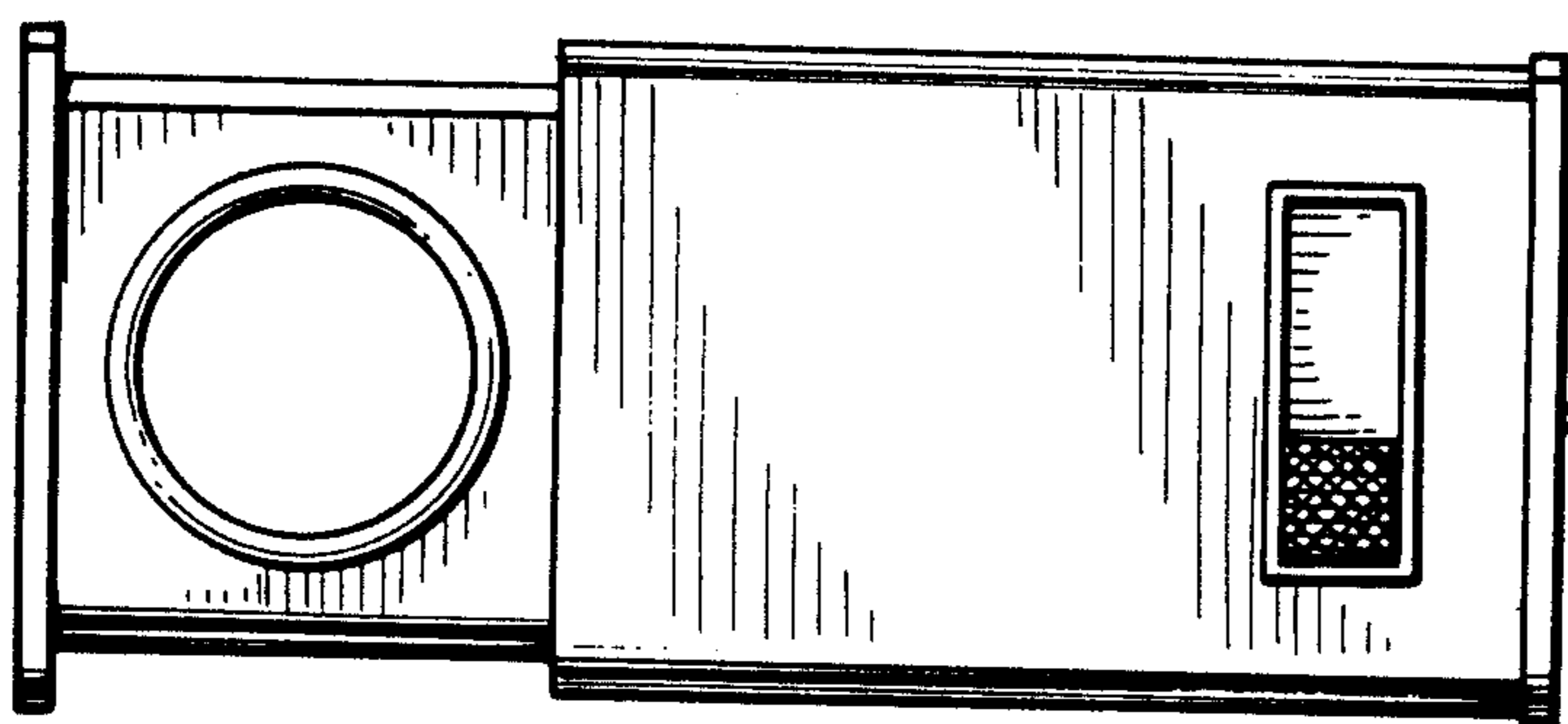


FIG.5.

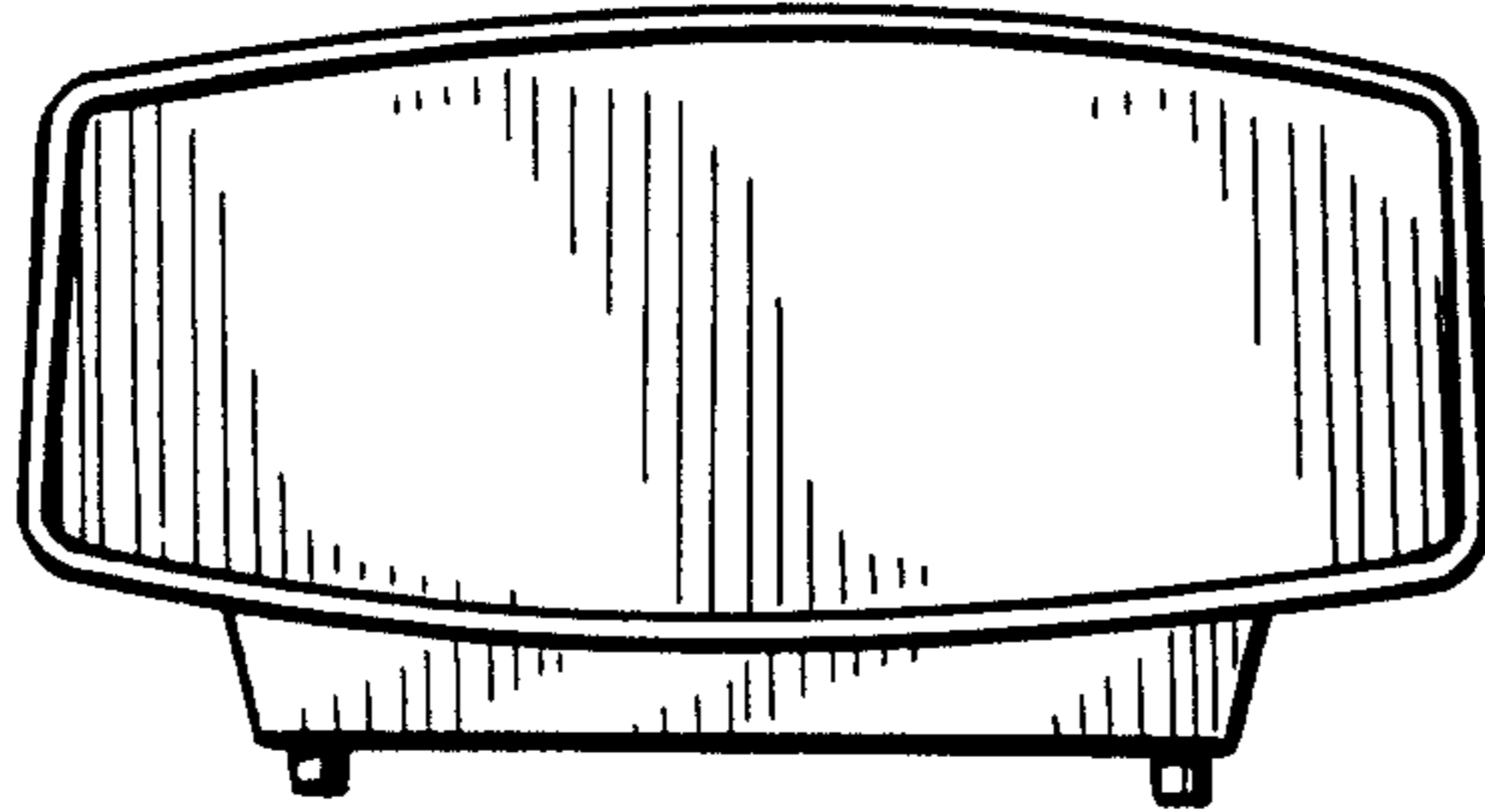


FIG.6.

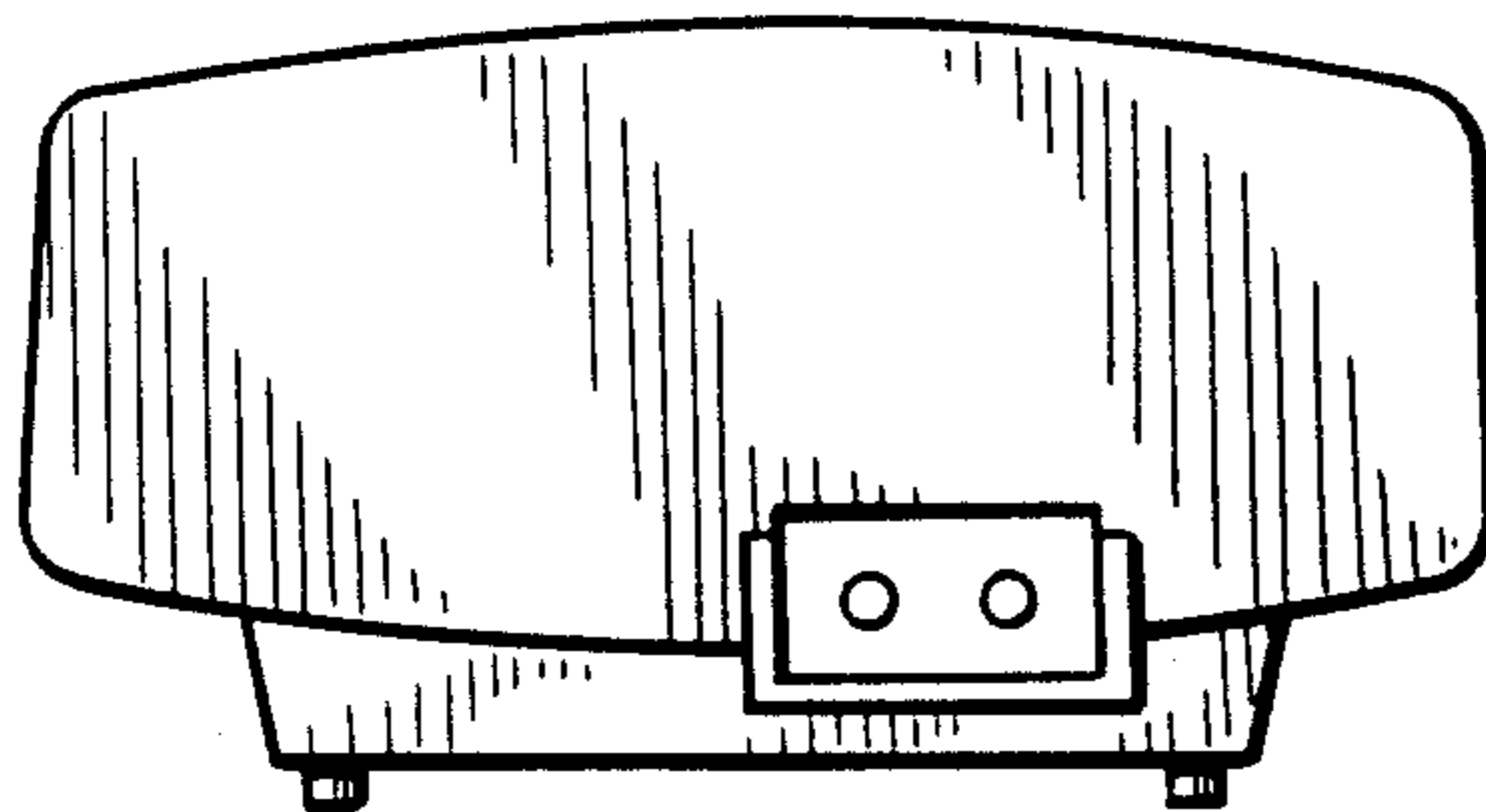


FIG.7.

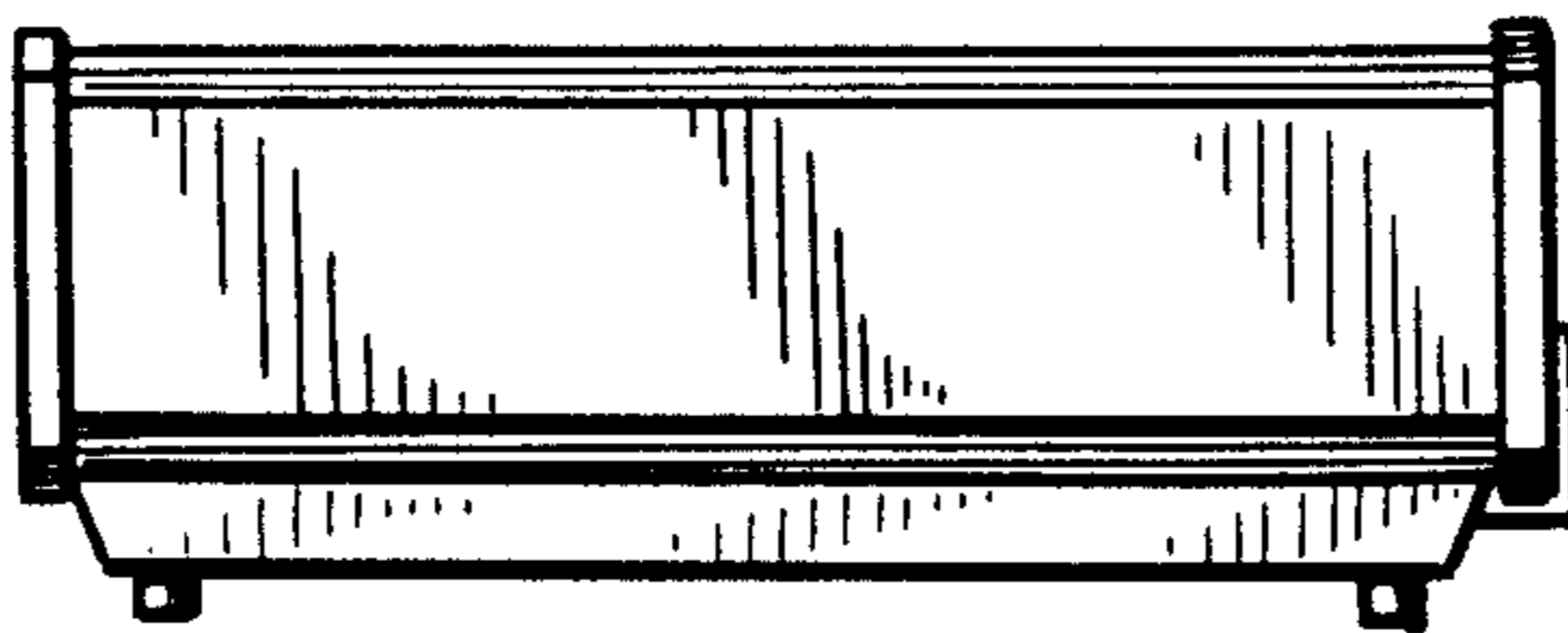


FIG.8.

