

[54] WATERING PITCHER

[75] Inventor: Arne P. Darnell, Karlshamn, Sweden

[73] Assignee: Perstorp AB, Perstorp, Sweden

[\*\*] Term: 14 Years

[21] Appl. No.: 907,248

[22] Filed: May 17, 1978

[30] Foreign Application Priority Data

Dec. 16, 1977 [SE] Sweden ..... 772609

[51] Int. Cl. .... D23-01

[52] U.S. Cl. .... D23/11

[58] Field of Search ..... D23/11; D7/60, 65; 220/85 SP; 222/465, 468

[56] References Cited

U.S. PATENT DOCUMENTS

D. 119,738 4/1940 Cooner, Jr. .... D7/60

D. 158,813	5/1950	Stier .....	D23/11
D. 169,700	5/1953	Rowd .....	D23/11
D. 217,179	4/1970	Rakoey .....	D7/65
D. 241,032	8/1976	Burke et al. ....	D23/11
D. 250,244	11/1978	Antolino .....	D7/65 X
D. 251,171	2/1979	Umanoff .....	D7/60 X
4,030,664	6/1977	Tisbo et al. ....	D23/11 X

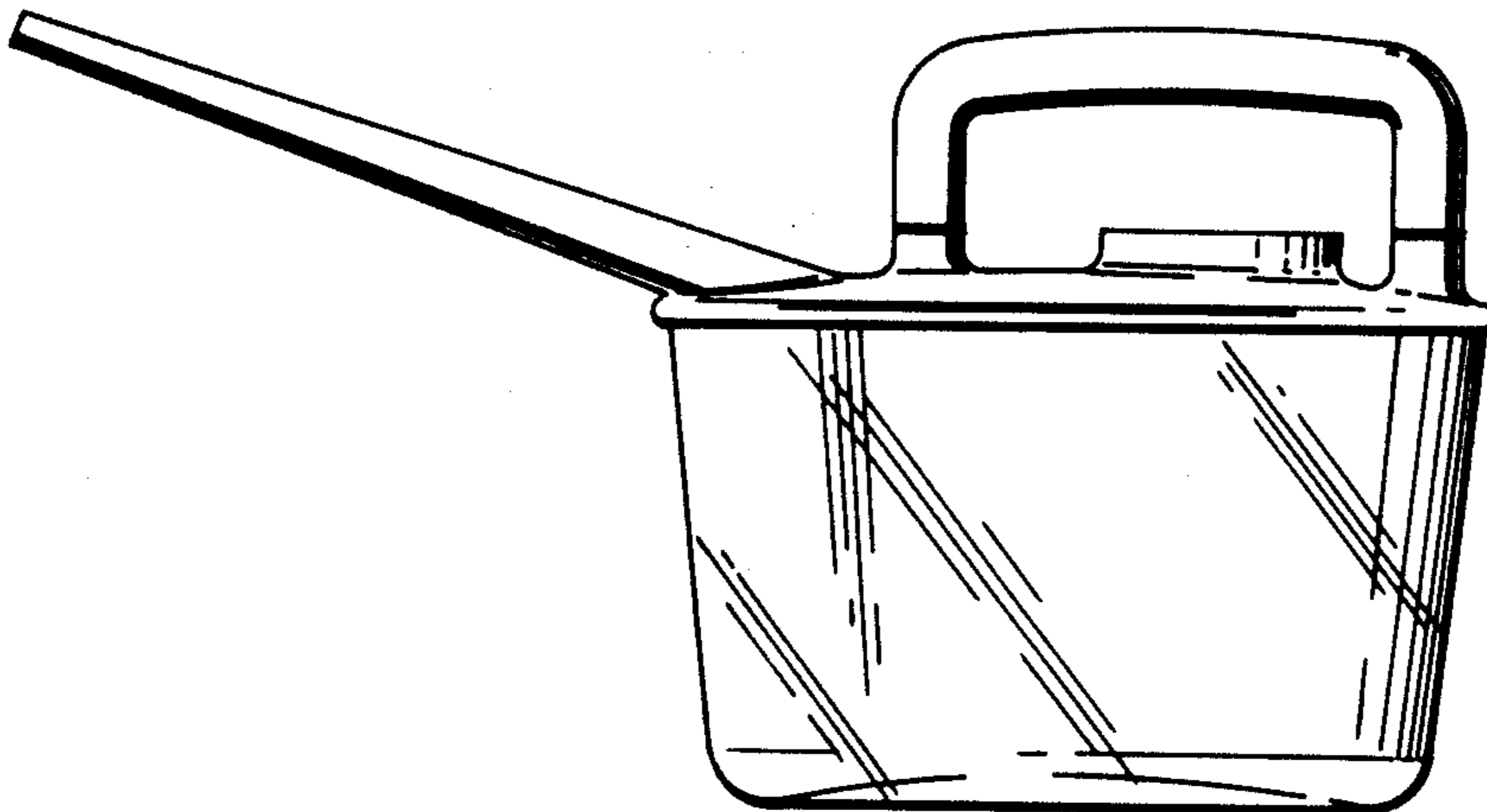
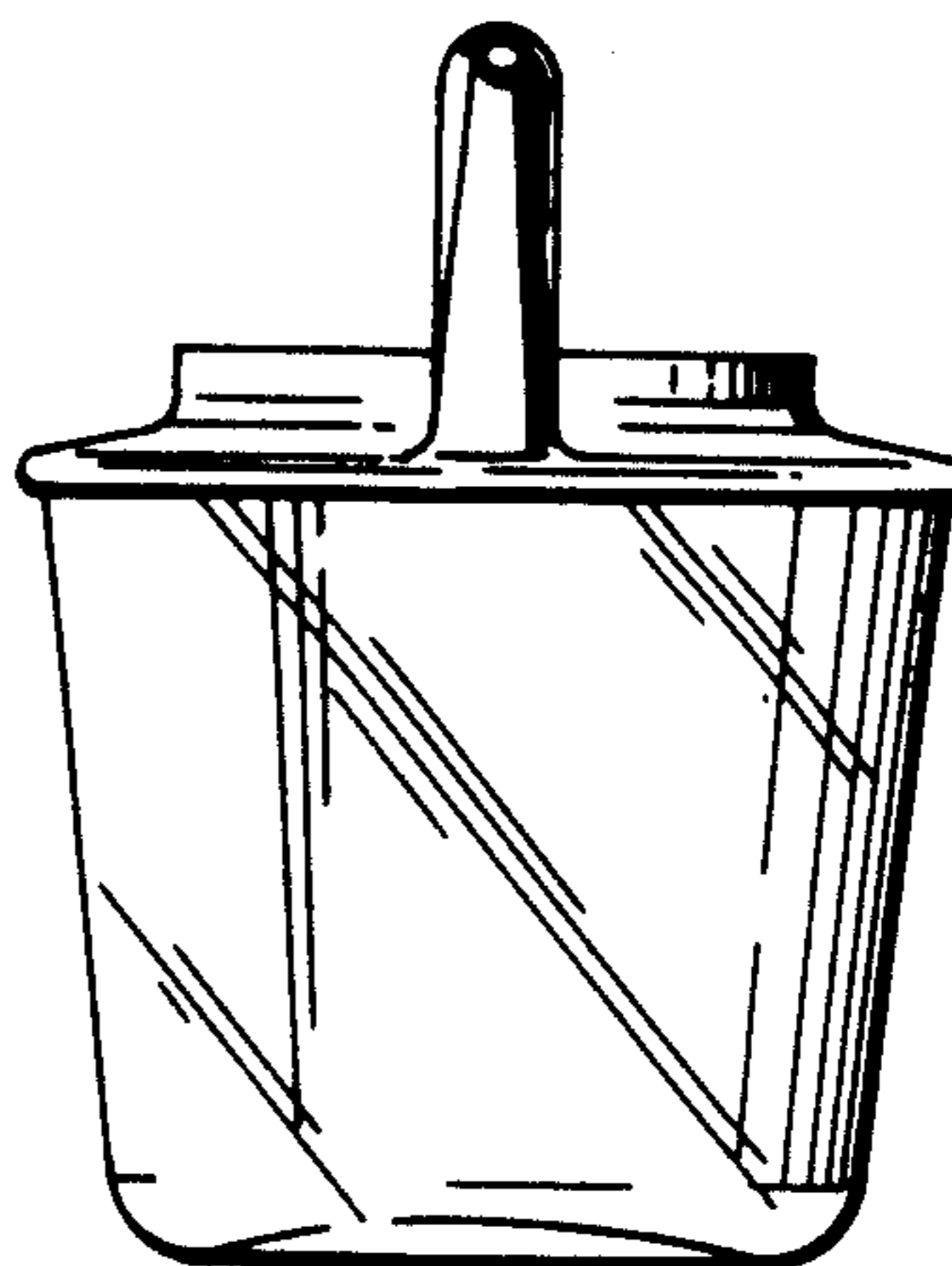
Primary Examiner—James R. Largen  
Attorney, Agent, or Firm—Davidson C. Miller

[57] CLAIM

The ornamental design for a watering pitcher, as shown.

DESCRIPTION

FIG. 1 is a side elevational view of a watering pitcher showing my new design; FIG. 2 is a front elevational view thereof; FIG. 3 is a rear elevational view thereof; FIG. 4 is a top plan view thereof; and FIG. 5 is a bottom plan view thereof.



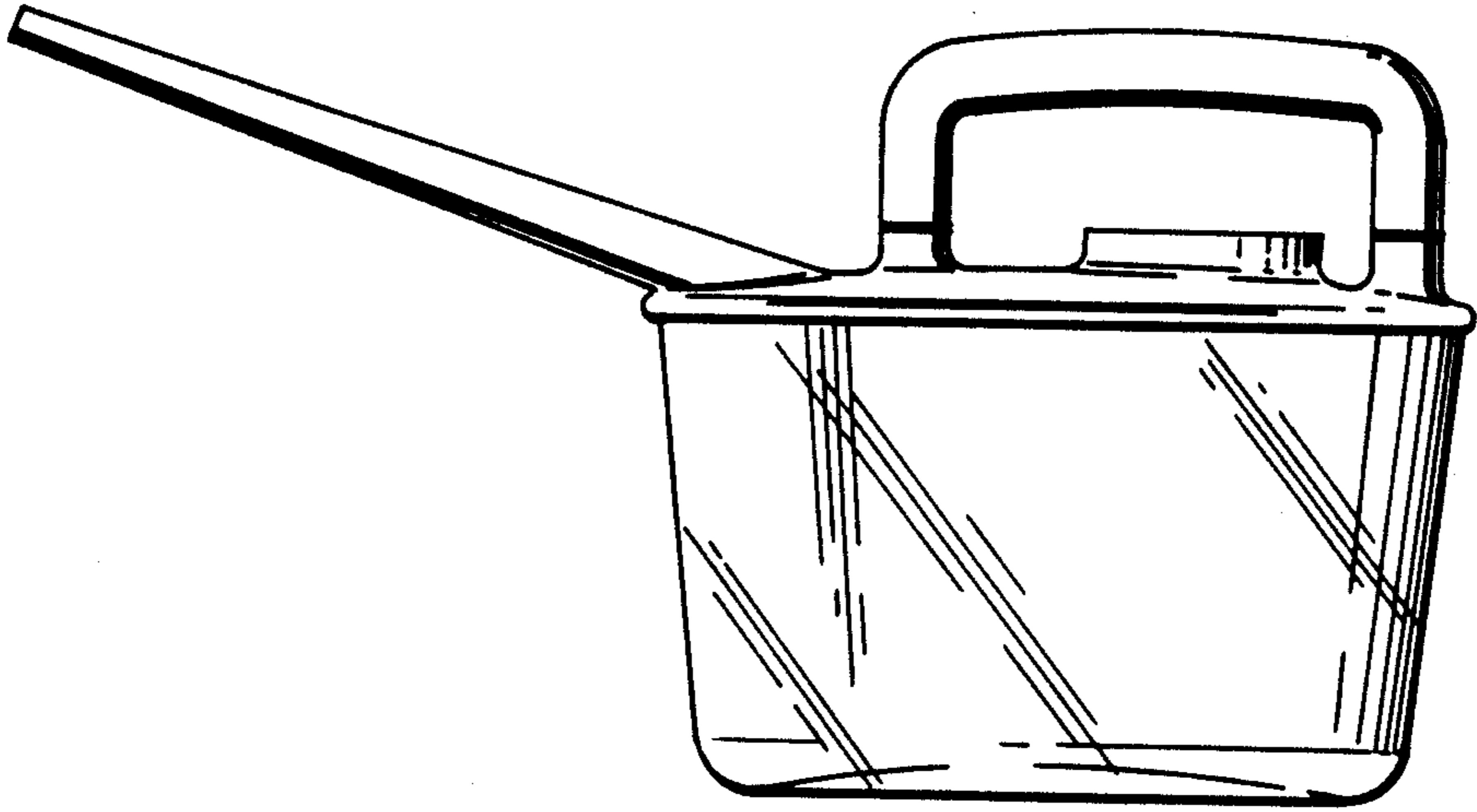


FIG. 1

FIG. 2

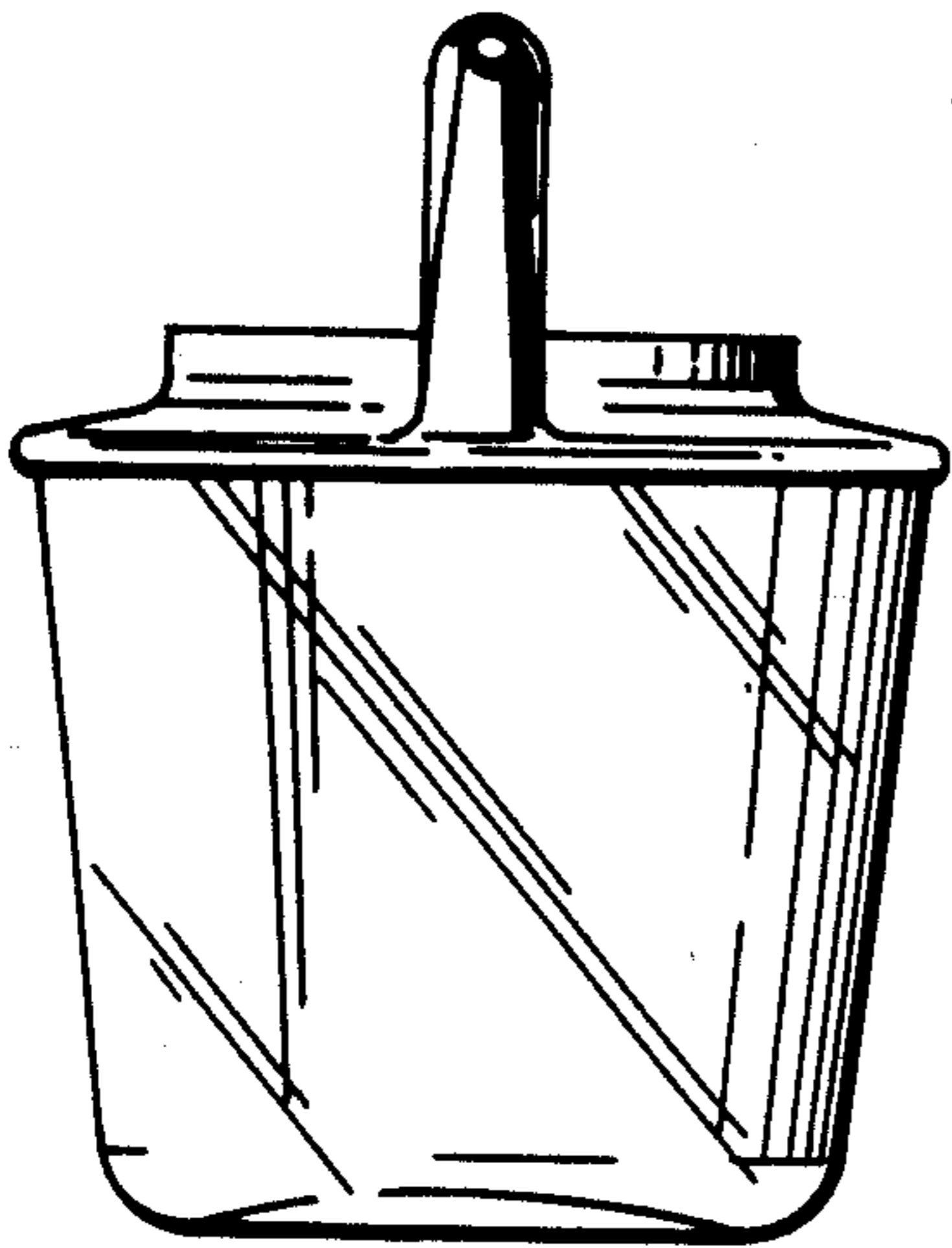
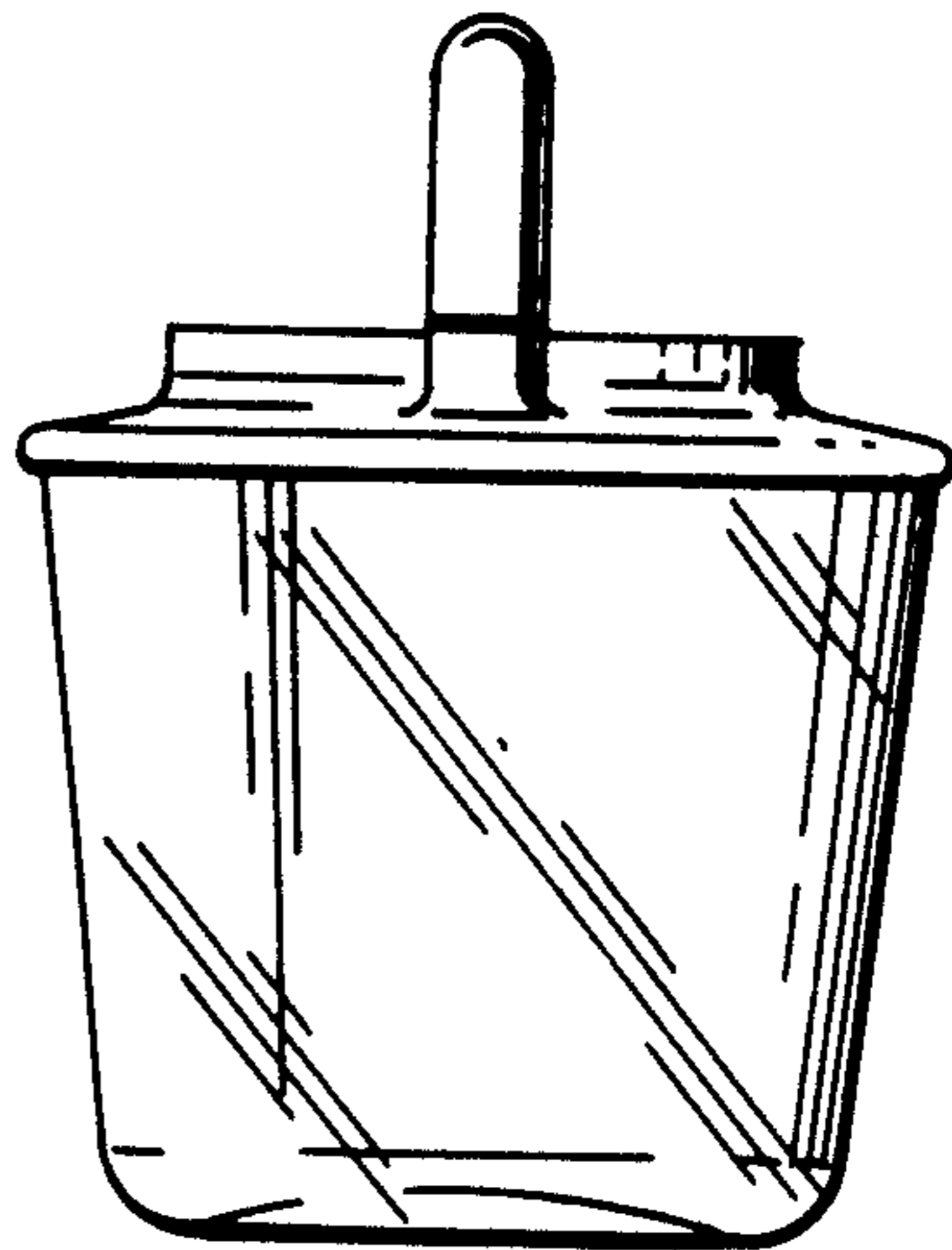


FIG. 3



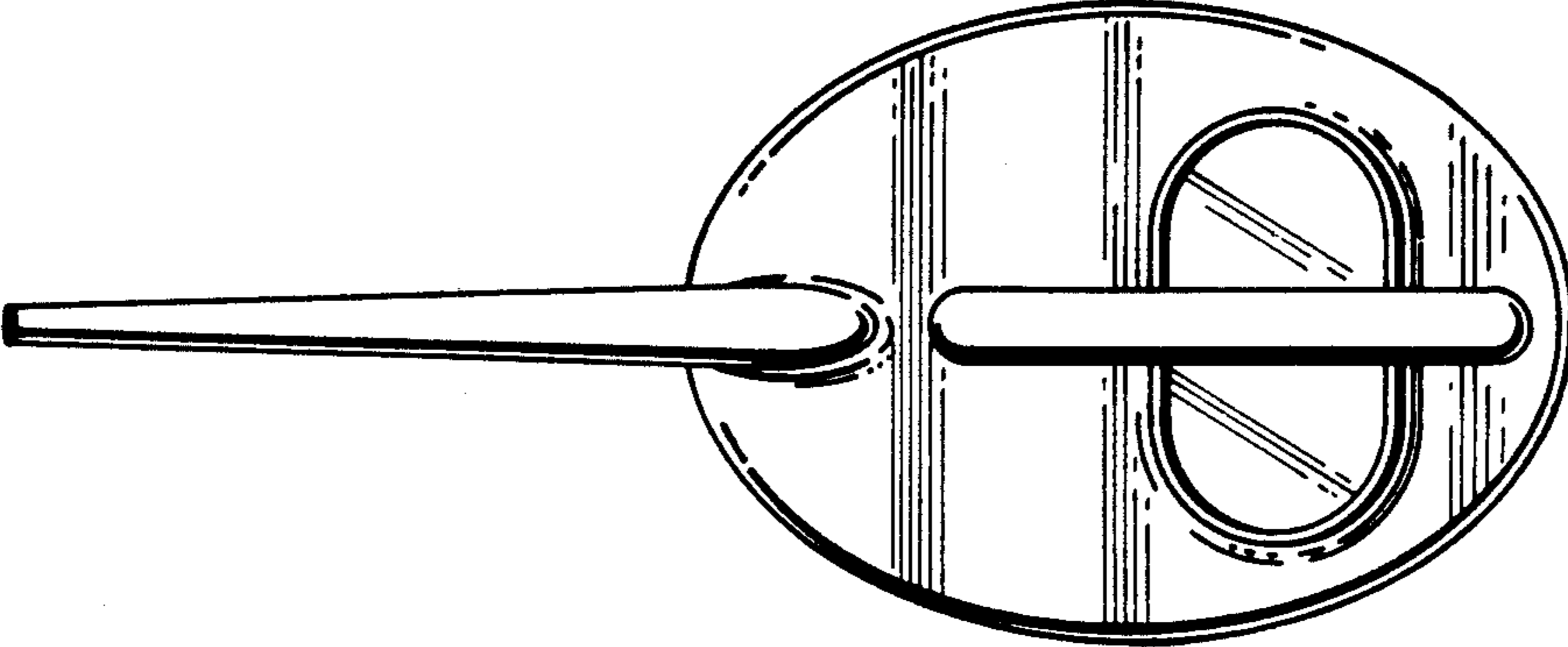


FIG. 4

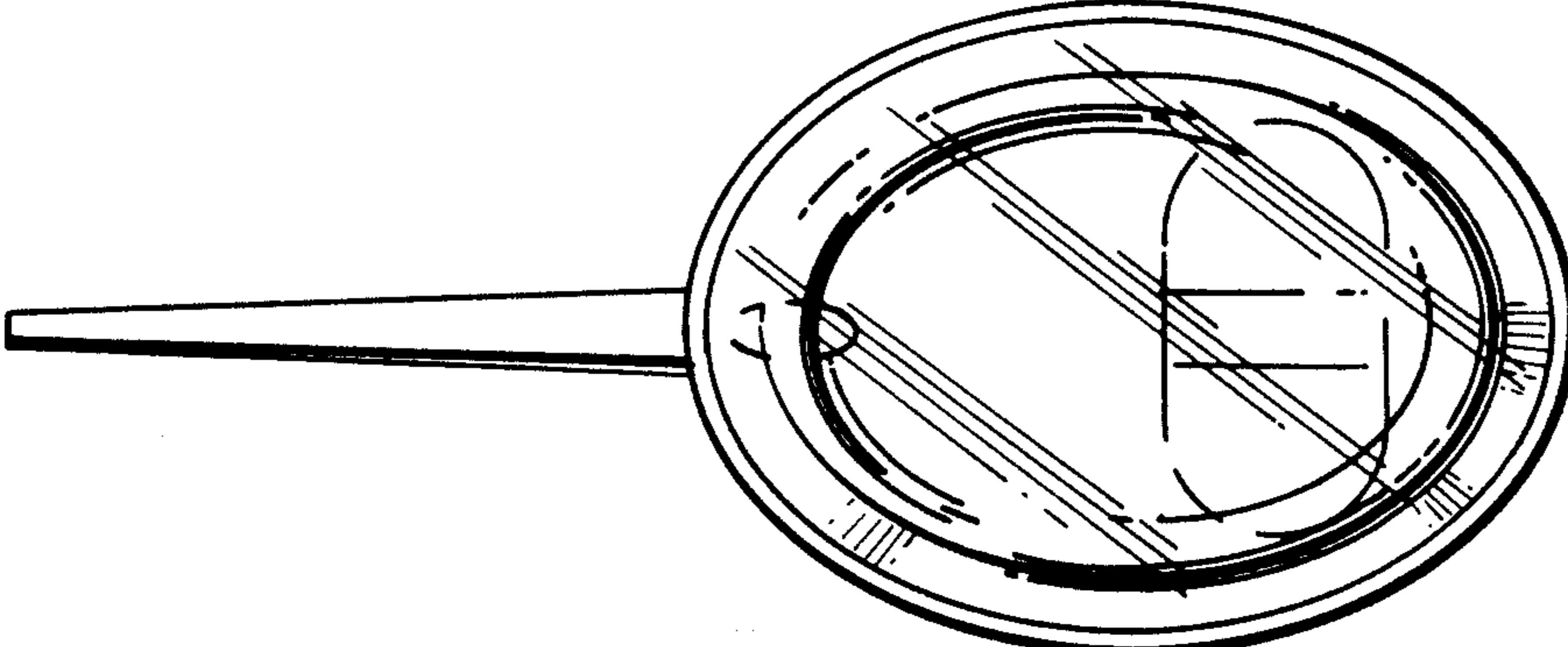


FIG. 5