

[54] DUNE BUGGY CAR SHAPED SEAT FOR PLAYGROUND APPARATUS

[75] Inventors: Steven A. Lofton, Litchfield; David C. Mulligan, Blissfield, both of Mich.

[73] Assignee: Game Time, Inc., Fort Payne, Ala.

[**] Term: 14 Years

[21] Appl. No.: 936,074

[22] Filed: Aug. 23, 1978

[51] Int. Cl. D21-03

[52] U.S. Cl. D21/250; D21/76

[58] Field of Search D21/250, 137, 136, 73, D21/76; 272/52

[56]

References Cited

U.S. PATENT DOCUMENTS

D. 225,872	1/1973	Burke	D21/250
D. 240,843	8/1976	Zick	D21/250
D. 248,682	7/1978	Darda	D21/136

Primary Examiner—Melvin B. Feifer
Attorney, Agent, or Firm—Raywood H. Blanchard

[57]

CLAIM

The ornamental design for a dune buggy car shaped seat for playground apparatus, as shown and described.

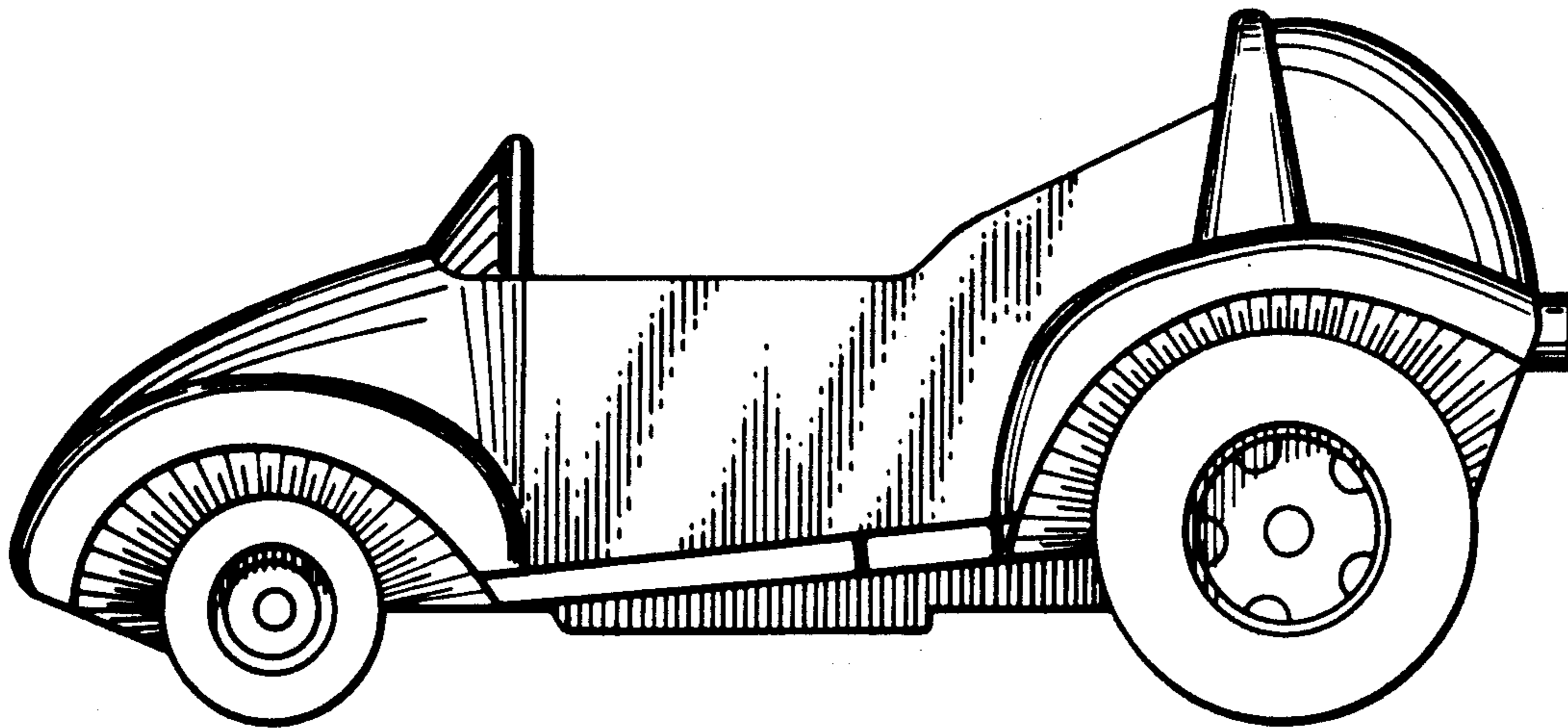
DESCRIPTION

FIG. 1 is a side elevational view of the dune buggy car shaped seat for playground apparatus embodying our new design, the opposite side being a mirror image thereof;

FIG. 2 is a front view thereof;

FIG. 3 is a rear view thereof; and

FIG. 4 is a top view thereof.



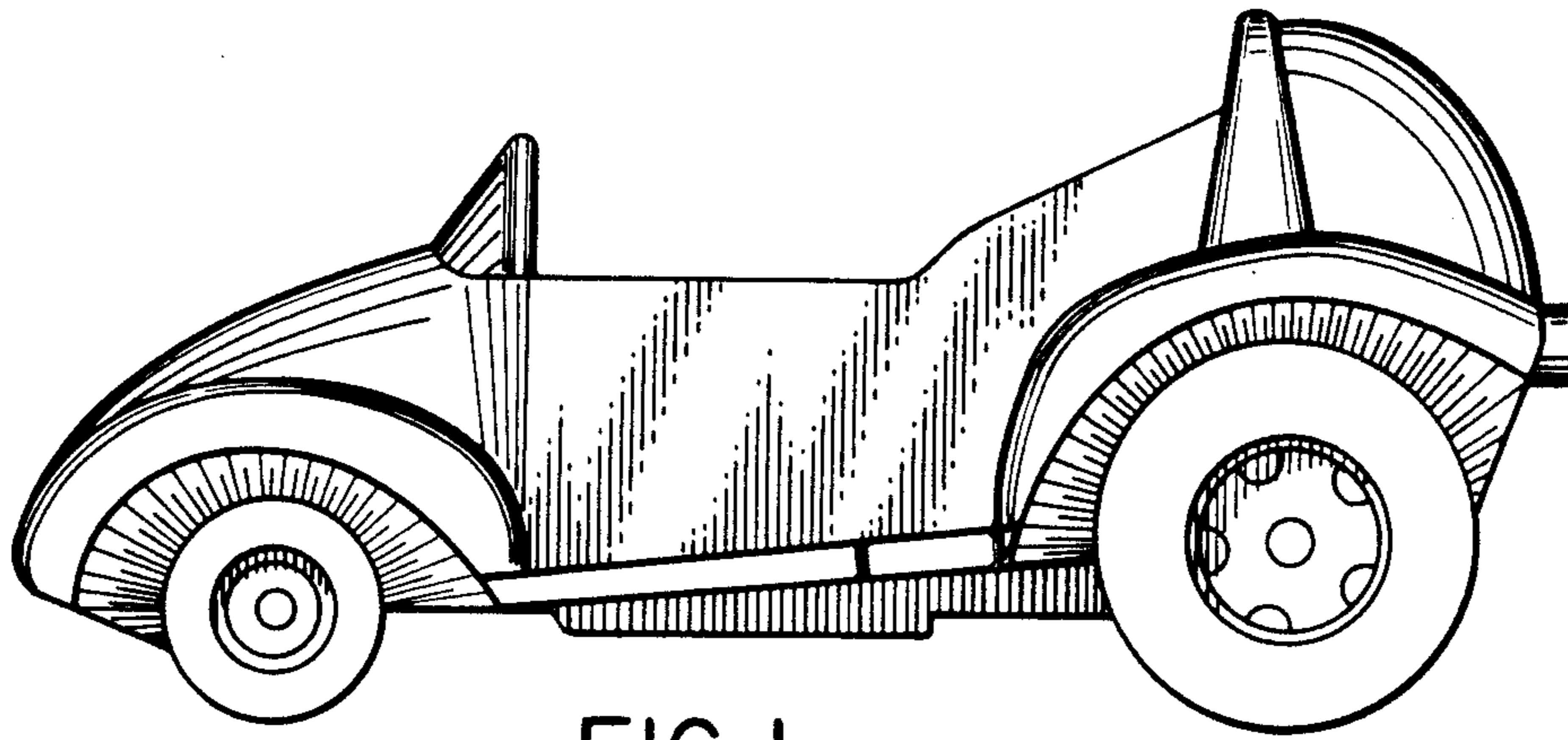


FIG. 1

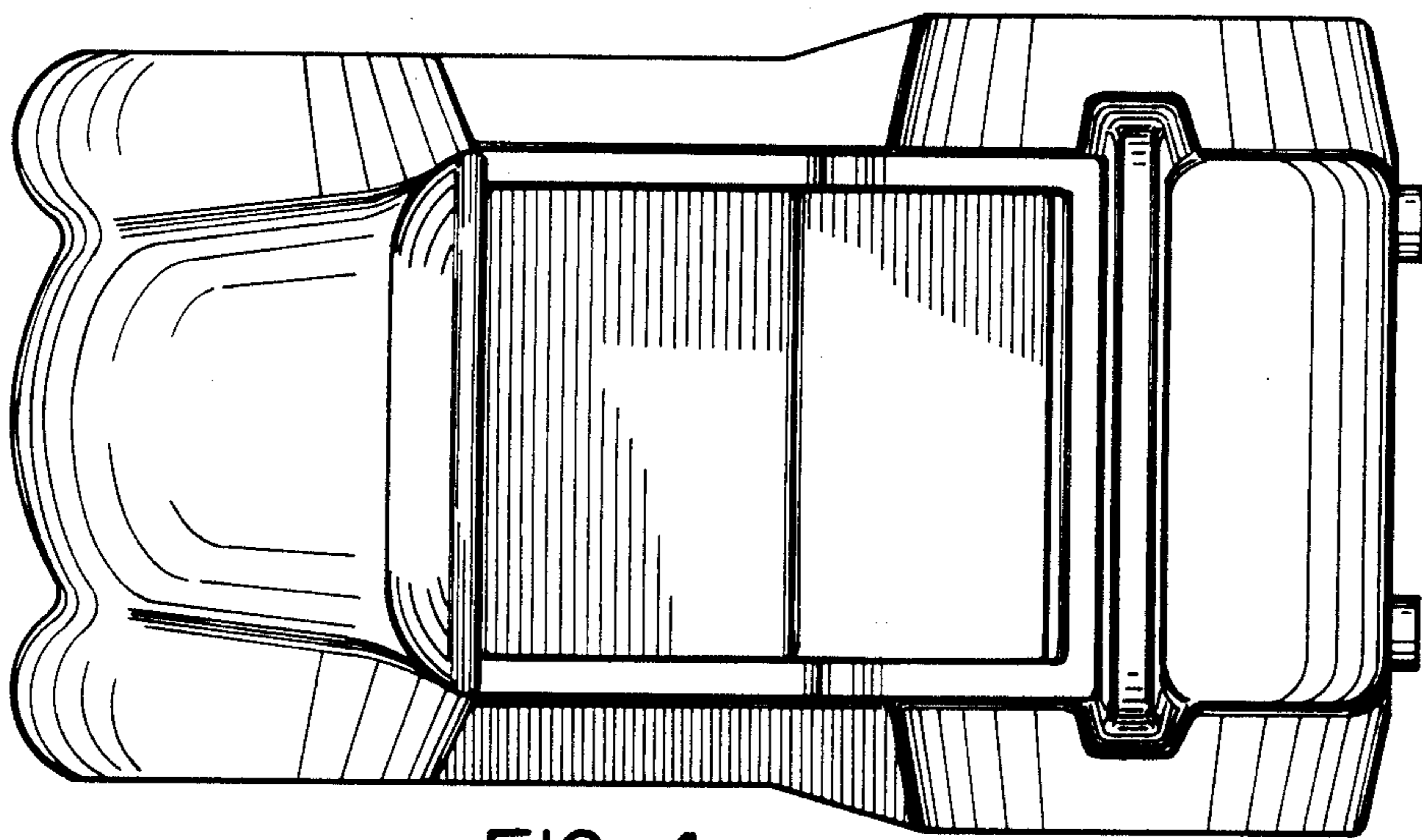


FIG. 4

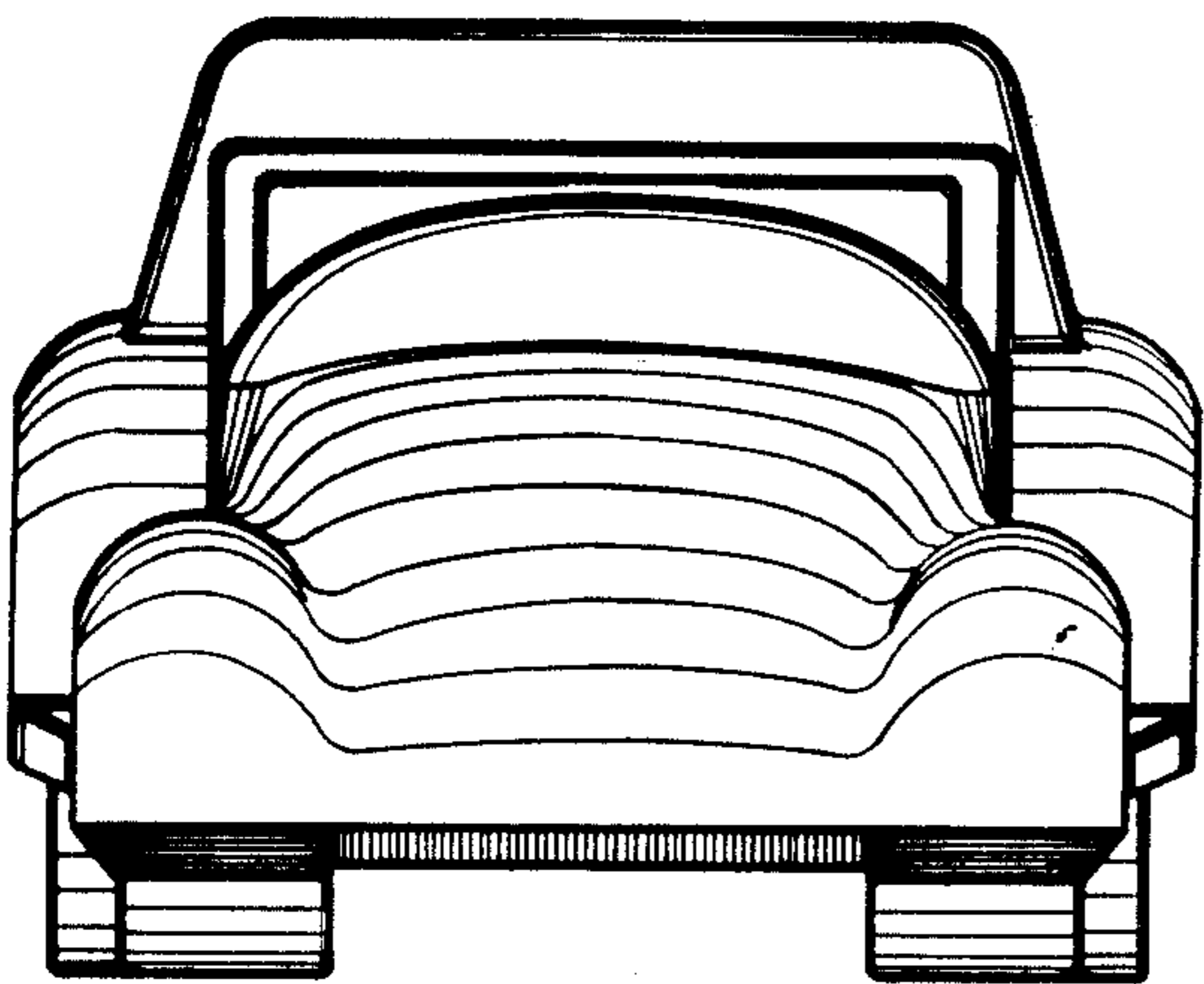


FIG. 2

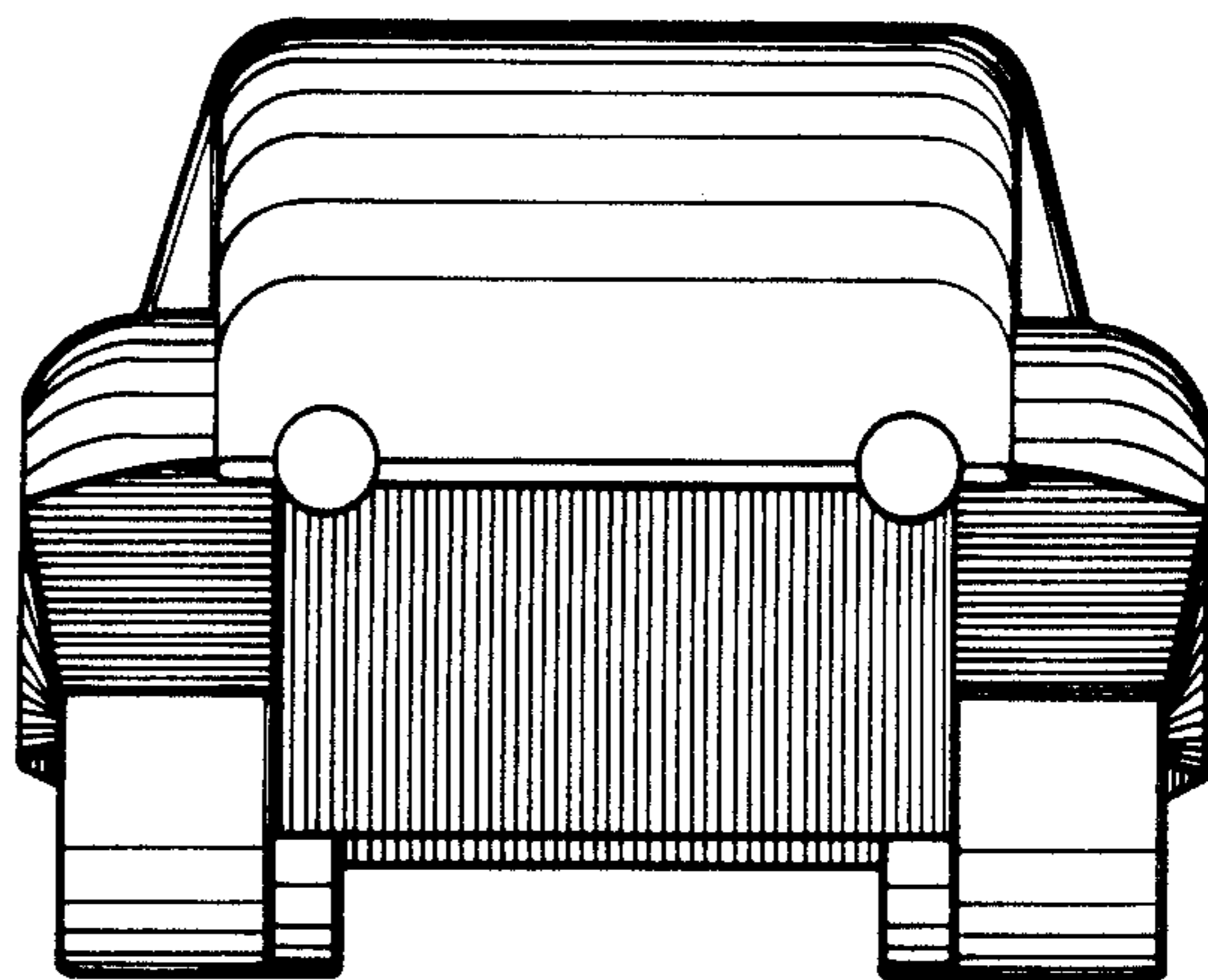


FIG. 3