

[54] RECREATION SWING

4,014,540 3/1977 Caulkins 272/85

[75] Inventor: Frank W. Beller, Aurora, Ill.

OTHER PUBLICATIONS

[73] Assignee: Recreation Systems Co., North Aurora, Ill.

Popular Mechanics, Jul., 1962, p. 99, lower left, Playground Swing.

[**] Term: 14 Years

Primary Examiner—Melvin B. Feifer

[21] Appl. No.: 929,827

[57] CLAIM

[22] Filed: Jul. 31, 1978

The ornamental design for a recreation swing, as shown and described.

[51] Int. Cl. D21-03

DESCRIPTION

[52] U.S. Cl. D21/246

[58] Field of Search D21/246, 242, 243; 272/85, 110

FIG. 1 is a right side elevational view of the recreation swing, showing my new design, the left side being substantially a mirror thereof;

FIG. 2 is a top plan view thereof;

FIG. 3 is a front view thereof;

FIG. 4 is a rear view thereof; and

FIG. 5 is a detail view, in cross section, showing details of the design of my recreation swing.

[56] References Cited

U.S. PATENT DOCUMENTS

D. 203,399	1/1966	Kurrasch	D21/246
3,981,500	9/1976	Ryan	272/85

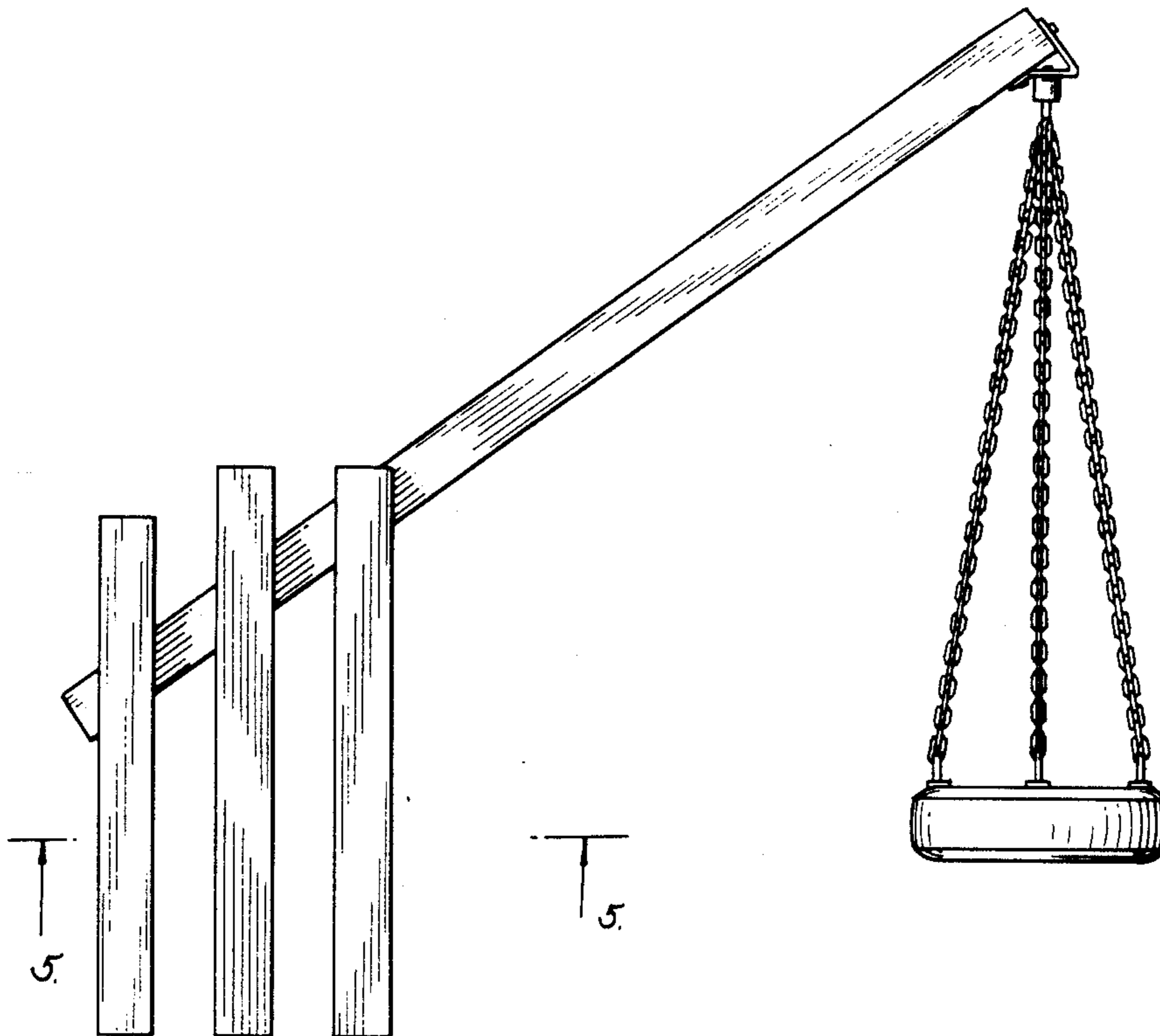


Fig. 1.

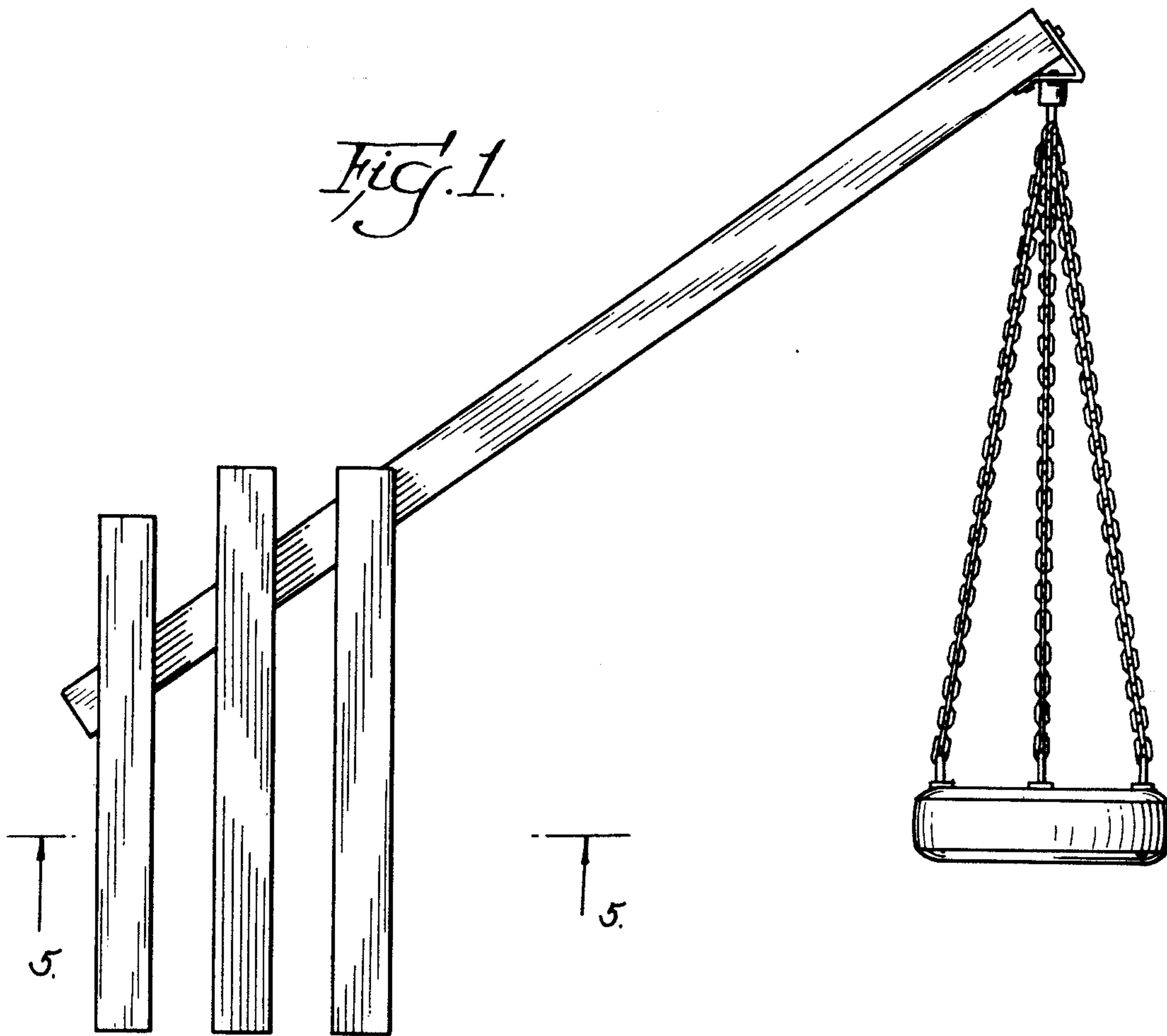


Fig. 2.

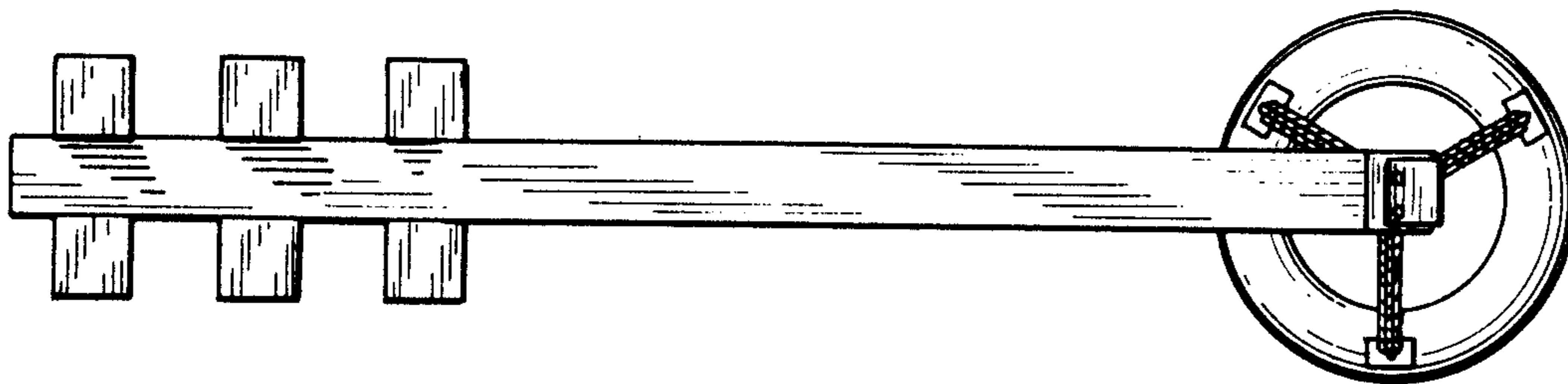


Fig. 3

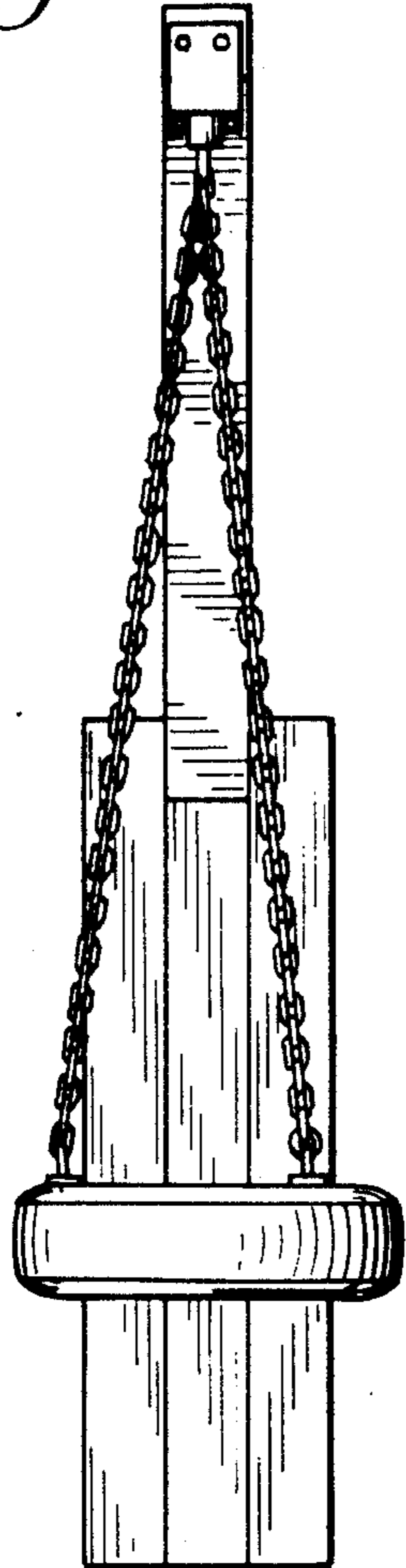


Fig. 4

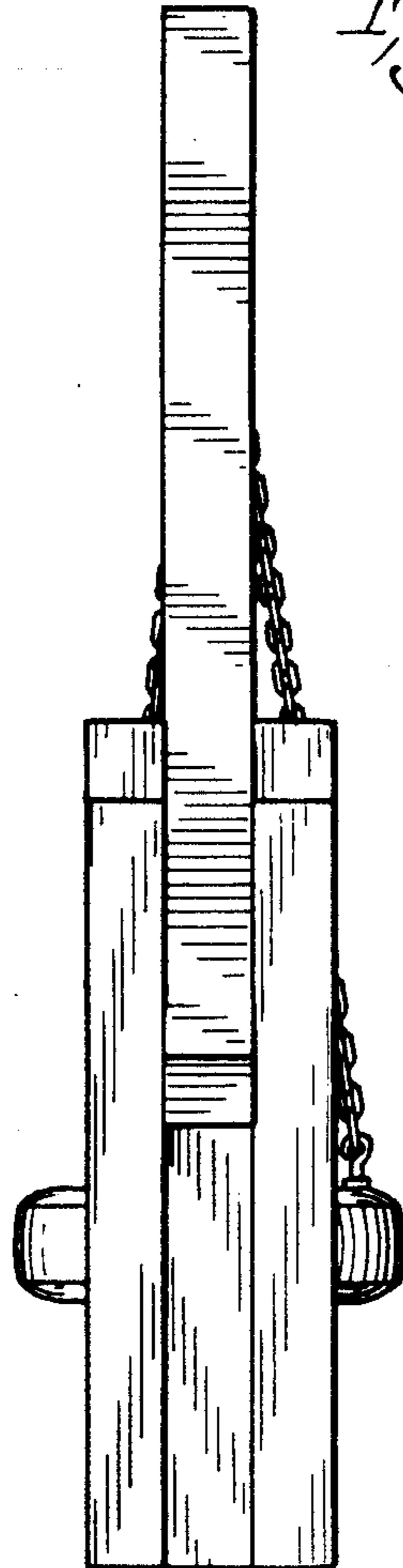


Fig. 5

