

[54] ROCKING TOY

[76] Inventor: Louise A. Lubbe, 101 Eureka Dr., Manlius, N.Y. 13104

[**] Term: 14 Years

[21] Appl. No.: 849,843

[22] Filed: Nov. 9, 1977

[51] Int. Cl. D21-01

[52] U.S. Cl. D21/66; D21/71; D21/193

[58] Field of Search D21/66, 236, 71, 193, D21/59; D6/10; 272/1 B, 33 R, 33 A; 273/67 R, 1 R; D7/41

[56] References Cited

U.S. PATENT DOCUMENTS

D. 176,008 11/1955 Blaker D21/193

1,395,698 11/1921 Baum et al. 272/33 A
2,804,123 8/1957 Kling 272/33 A
3,041,070 6/1962 Kerstein 272/33 A

FOREIGN PATENT DOCUMENTS

1029857 6/1953 France 272/33 A

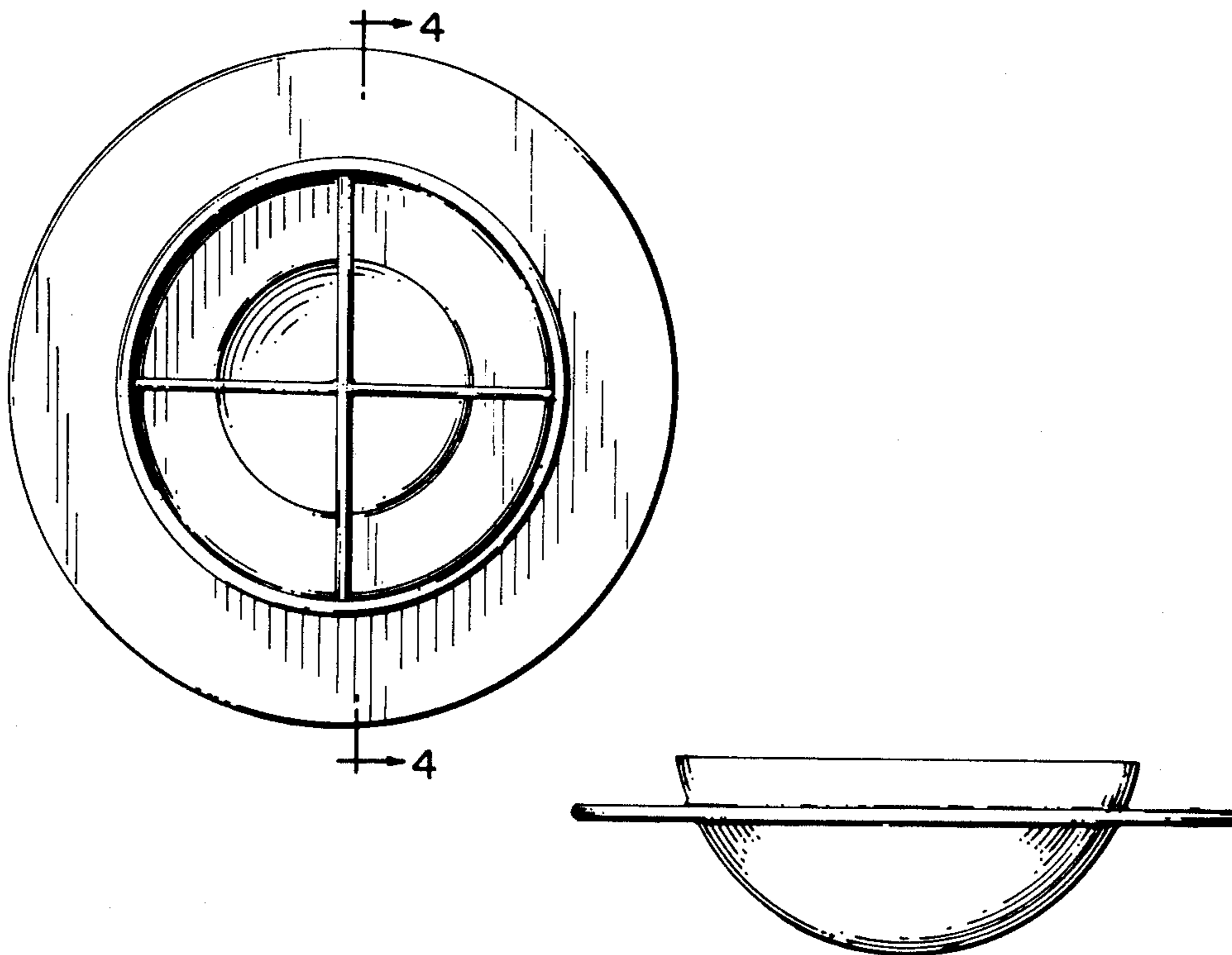
Primary Examiner—Charles A. Rademaker
Attorney, Agent, or Firm—Richard Von K. Bruns

[57] CLAIM

The ornamental design for a rocking toy, as shown and described.

DESCRIPTION

FIG. 1 is a top plan view of a rocking toy showing my new design;
FIG. 2 is a side elevational view thereof;
FIG. 3 is a bottom plan view thereof; and,
FIG. 4 is a cross-sectional view thereof taken along line 4-4 in FIG. 1.



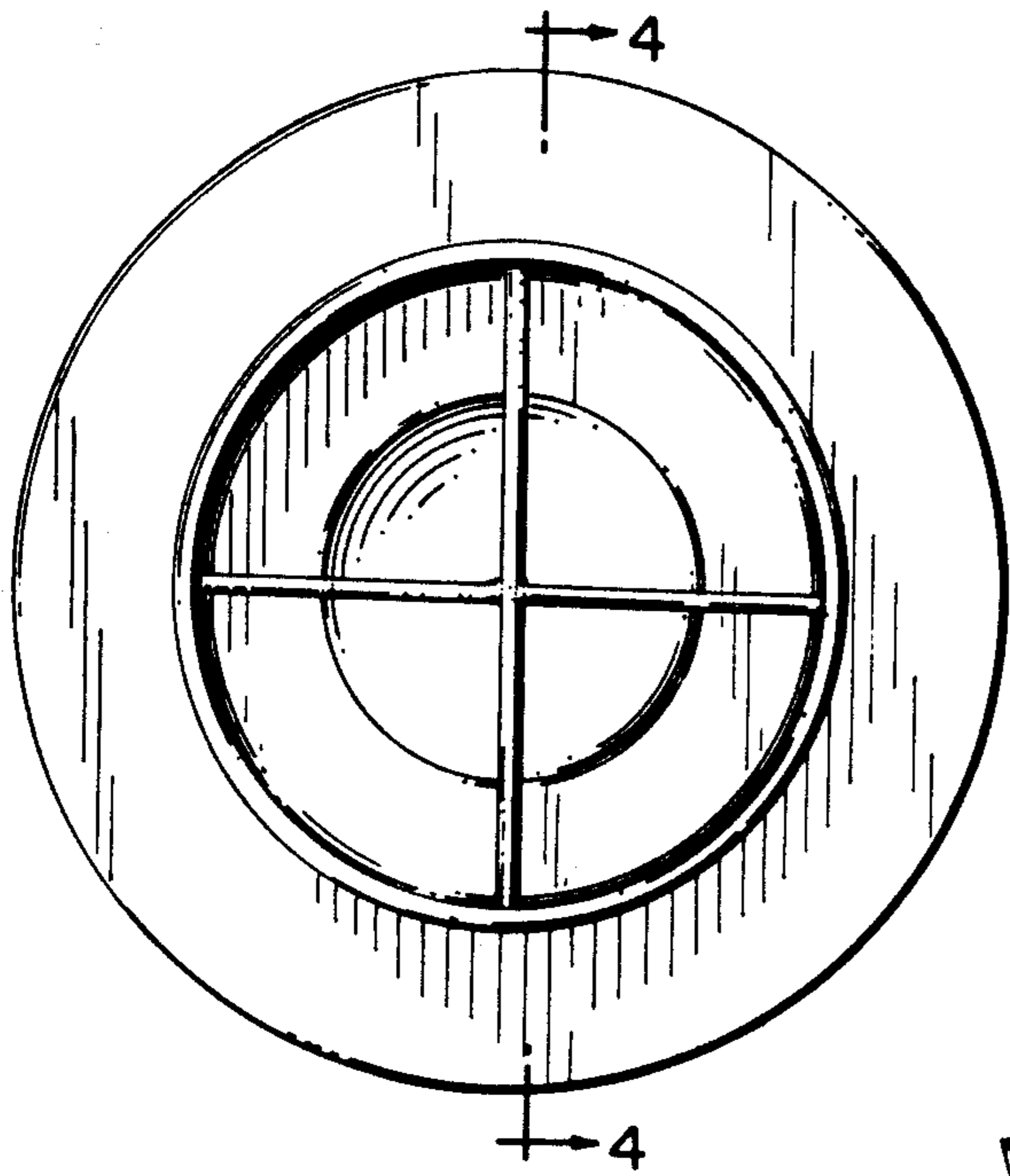


FIG. 1

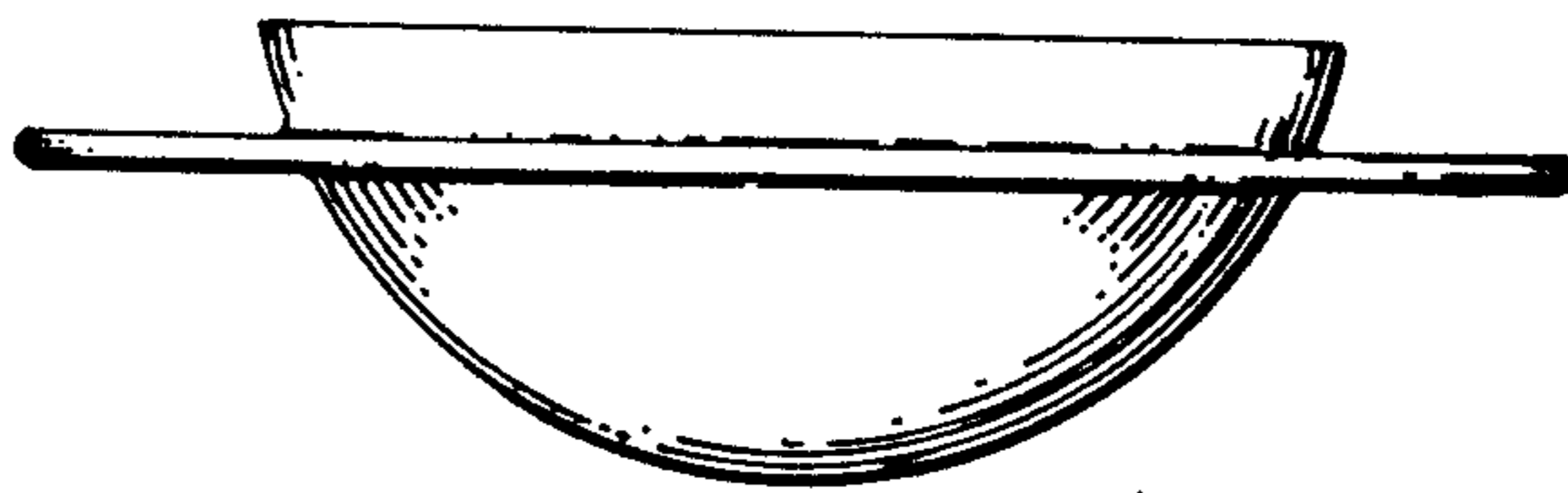


FIG. 2

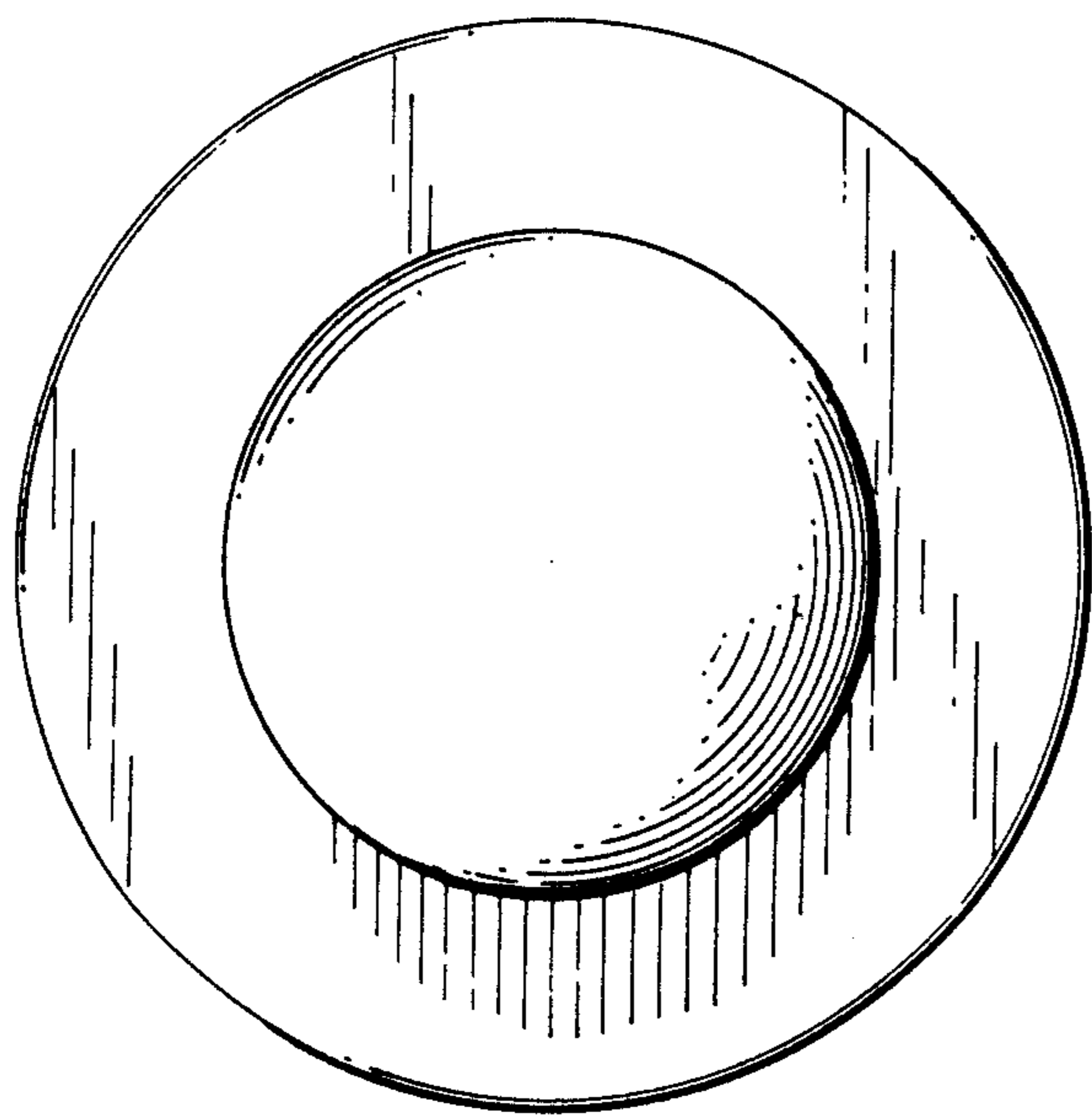


FIG. 3

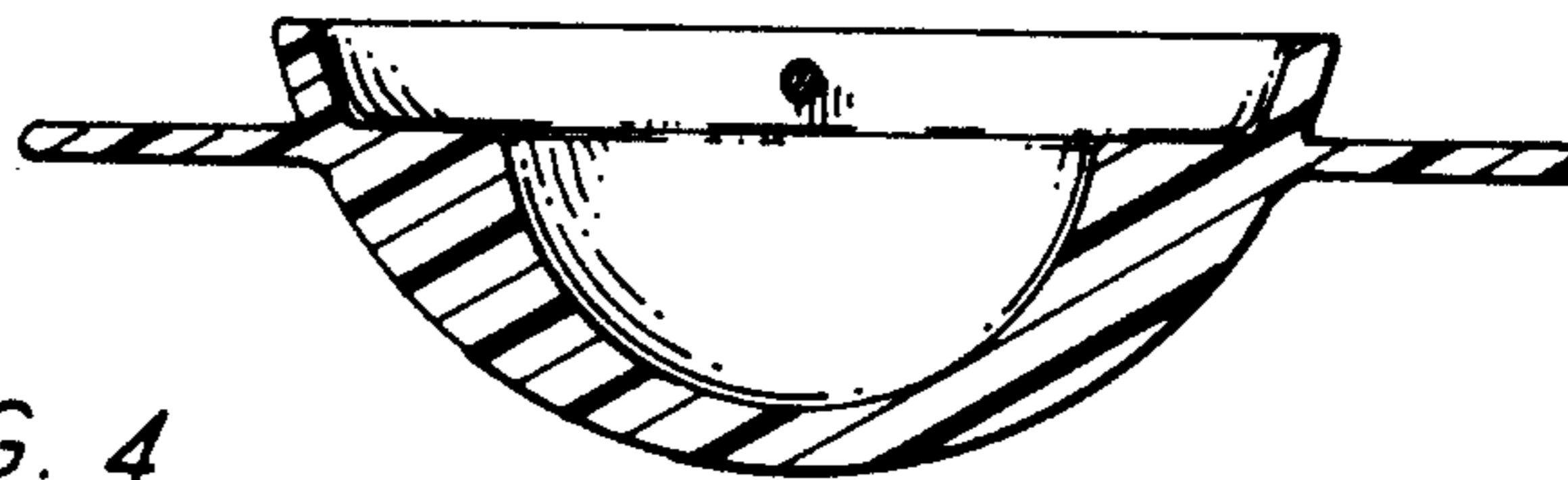


FIG. 4