

[54] PORTABLE EXHIBIT SYSTEM

[76] Inventor: Ian A. Tesar, 53 River Rd., Cos Cob, Conn. 06807

[**] Term: 14 Years

[21] Appl. No.: 885,692

[22] Filed: Mar. 13, 1978

[51] Int. Cl. D20-03

[52] U.S. Cl. D20/10; D20/39

[58] Field of Search D20/10, 39; 40/605, 40/606

[56] References Cited

U.S. PATENT DOCUMENTS

2,940,606	6/1960	Kurnitz	40/605 X
3,975,850	8/1976	Giaume	40/606

FOREIGN PATENT DOCUMENTS

1254904 11/1971 United Kingdom 40/605

Primary Examiner—Catherine E. Kemper
Attorney, Agent, or Firm—Alfred E. Miller

[57] CLAIM

The ornamental design for a portable exhibit system, substantially as shown and described.

DESCRIPTION

FIG. 1 is a perspective view of my design for a portable exhibit system showing my new design;
FIG. 2 is a rear elevational view thereof, shown on a slightly larger scale;
FIG. 3 is a top plan view thereof;
FIG. 4 is a bottom plan view thereof;
FIG. 5 is a side elevational view, shown on a larger scale.

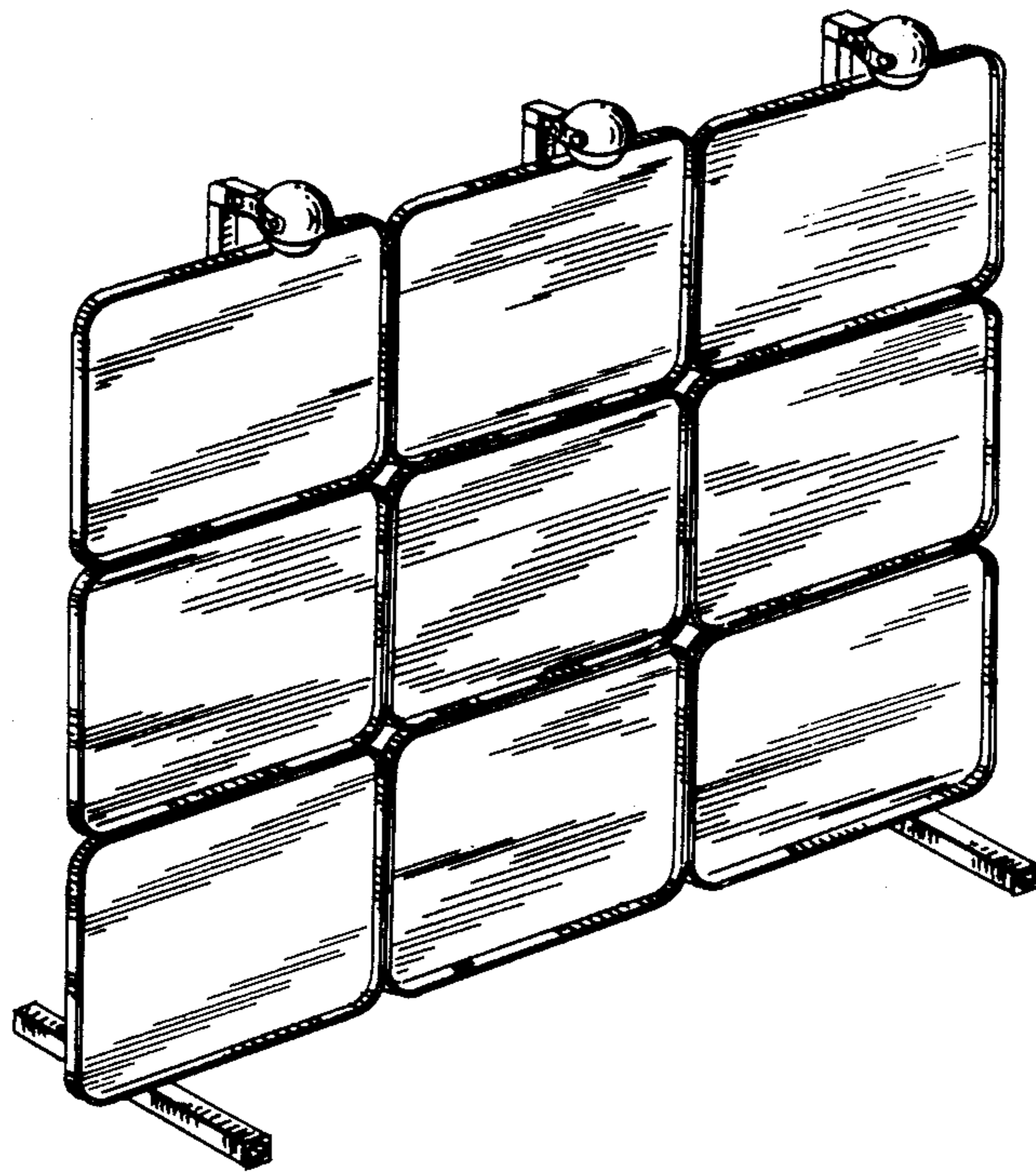


Fig. 1.

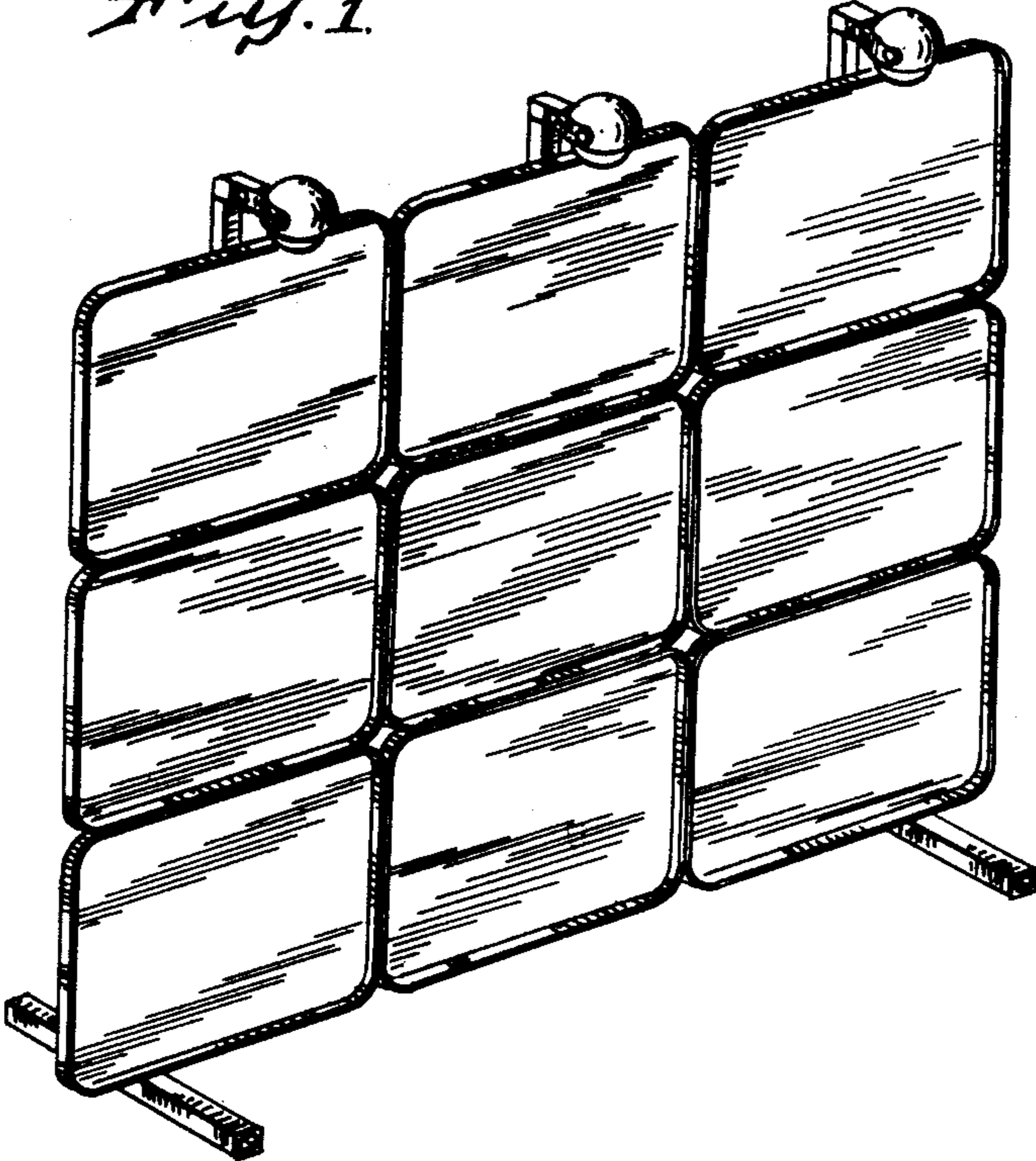


Fig. 2.

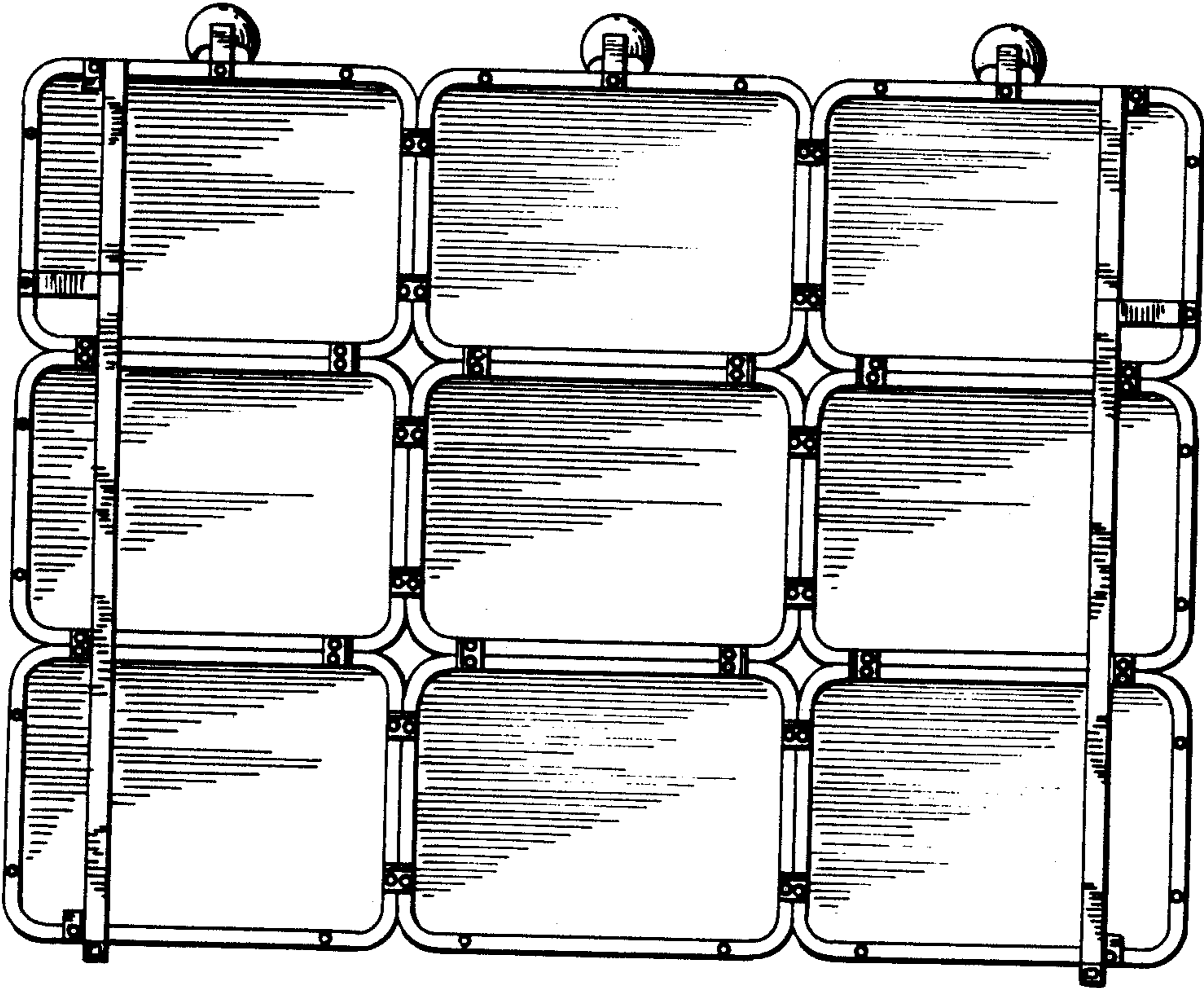


Fig. 3.

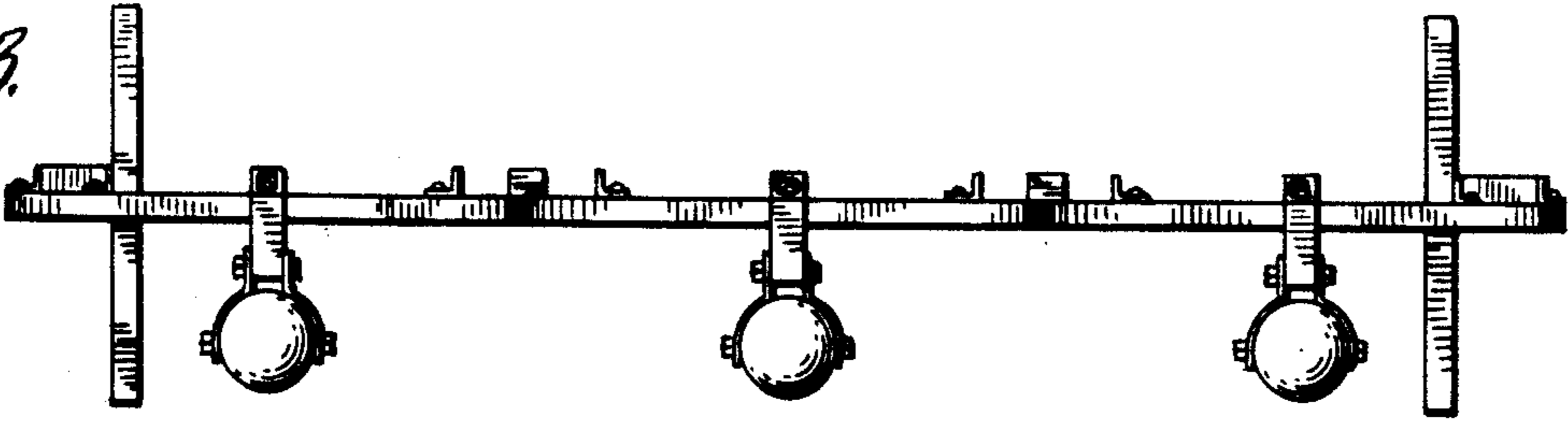


Fig. 4.

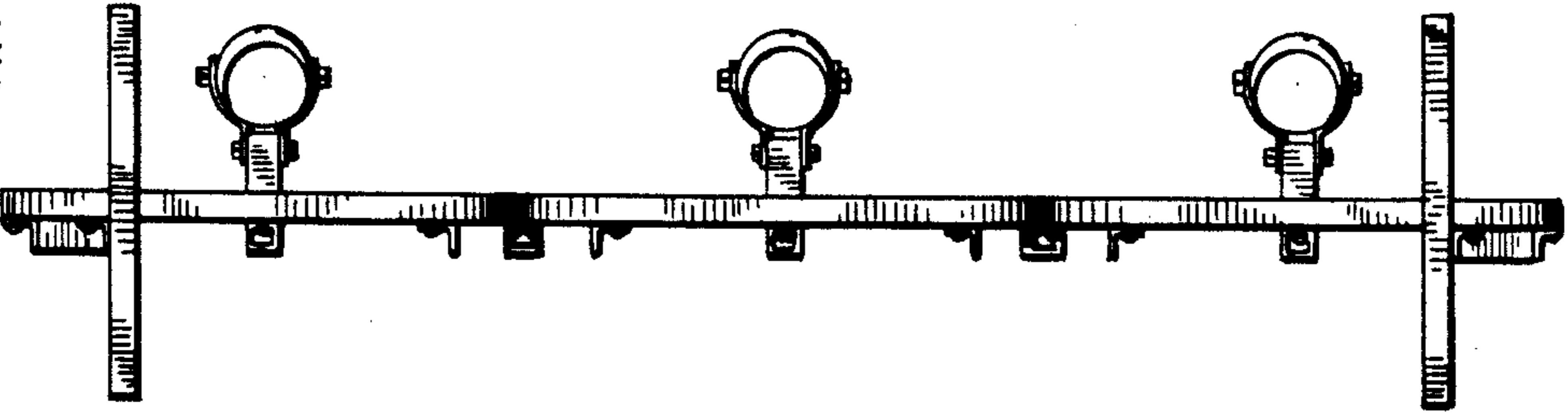


Fig. 5.

