

[54] ELECTRIC PIANO, OR THE LIKE

[75] Inventor: Kunio Ohta, Hamamatsu, Japan

[73] Assignee: Nippon Gakki Seizo Kabushiki Kaisha, Japan

[**] Term: 14 Years

[21] Appl. No.: 930,591

[22] Filed: Aug. 2, 1978

[30] Foreign Application Priority Data

Apr. 17, 1978 [JP] Japan 53-15198

[51] Int. Cl. D17-01

[52] U.S. Cl. D17/7; D17/8

[58] Field of Search D17/1, 2, 5-9

[56]

References Cited

U.S. PATENT DOCUMENTS

D. 107,289	11/1937	Day	D17/8
D. 160,839	11/1950	Brown	D17/7
D. 174,477	4/1955	Teague	D17/8
3,143,914	8/1964	Gamble	D17/5

Primary Examiner—Joel Stearman

Assistant Examiner—Jane E. Corrigan

Attorney, Agent, or Firm—Sidney G. Faber

[57]

CLAIM

The ornamental design for an electric piano, or the like, as shown and described.

DESCRIPTION

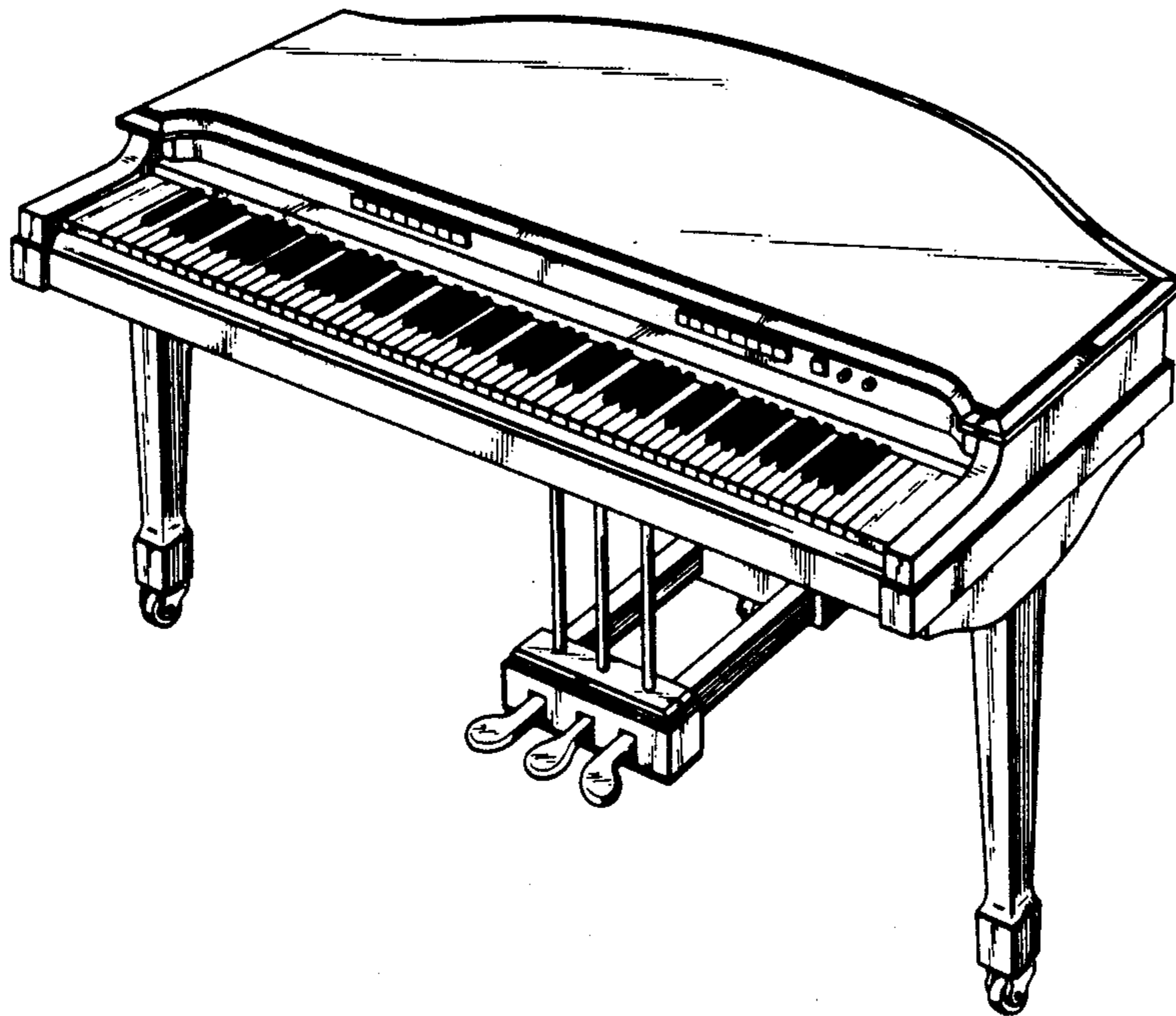
FIG. 1 is a top plan view of an electric piano, or the like, showing my new design;

FIG. 2 is a front elevational view thereof;

FIG. 3 is a right side elevational view thereof;

FIG. 4 is a rear elevational view thereof; and

FIG. 5 is a front, top and right side perspective view thereof.



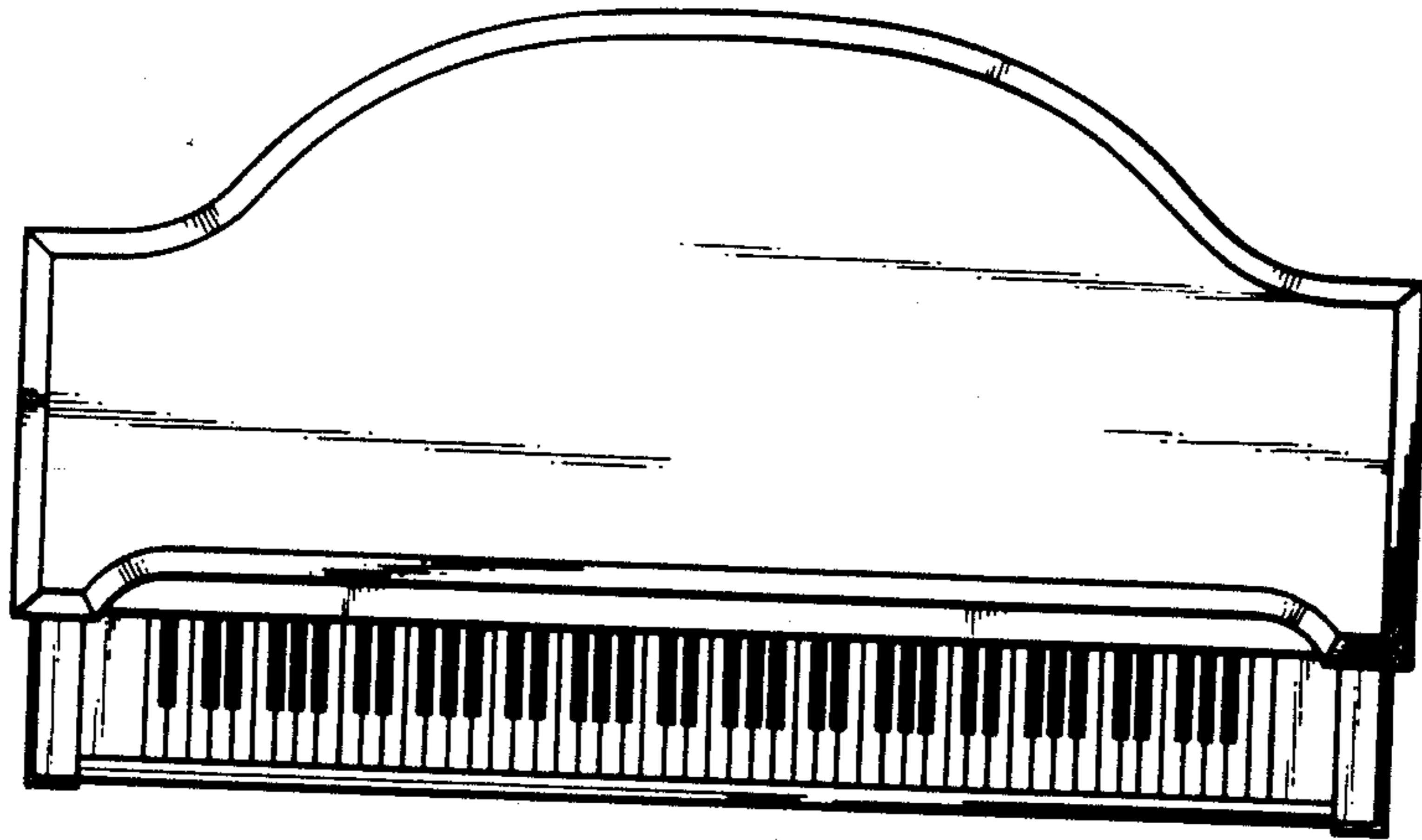


FIG. 1

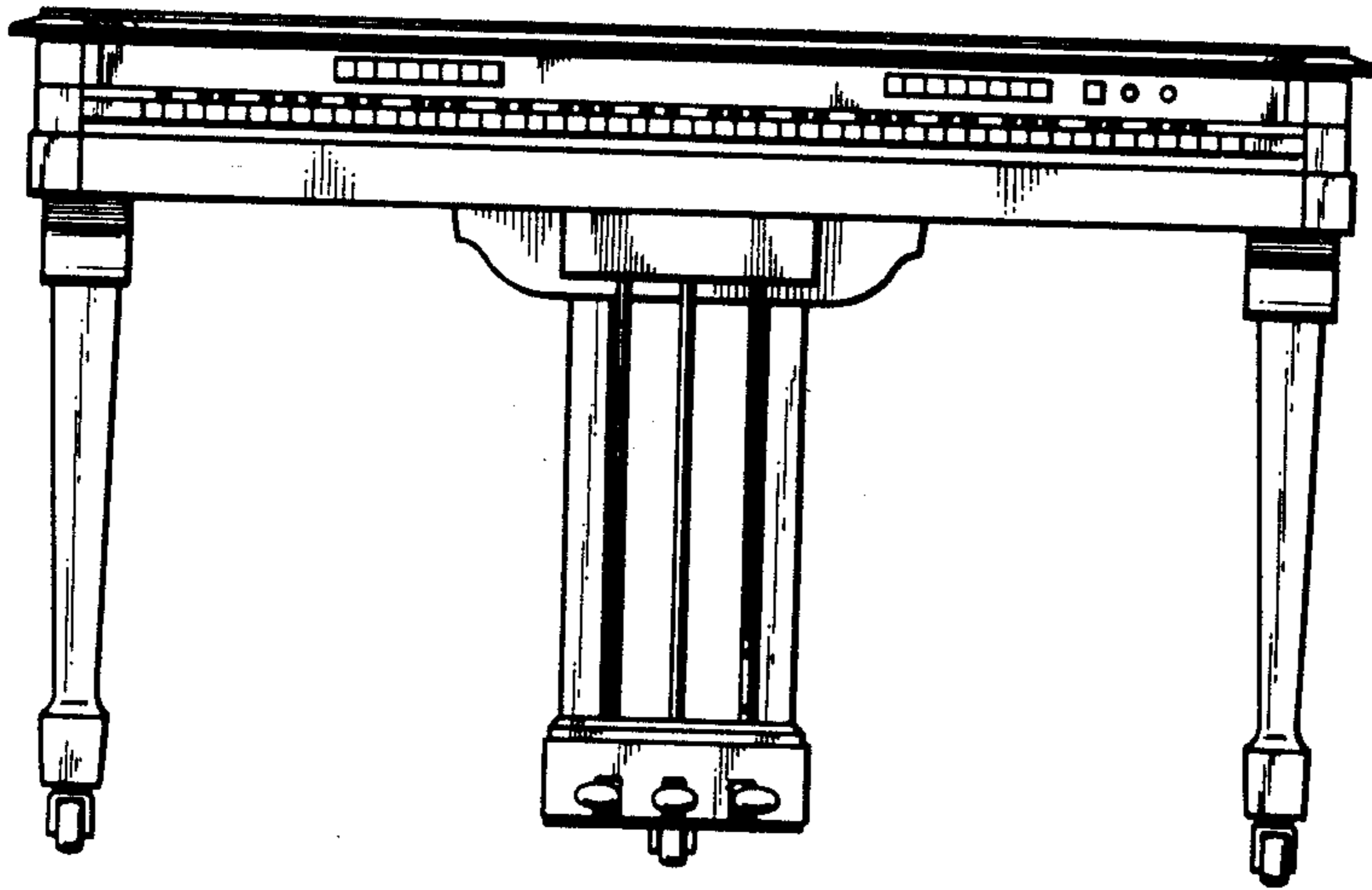


FIG. 2

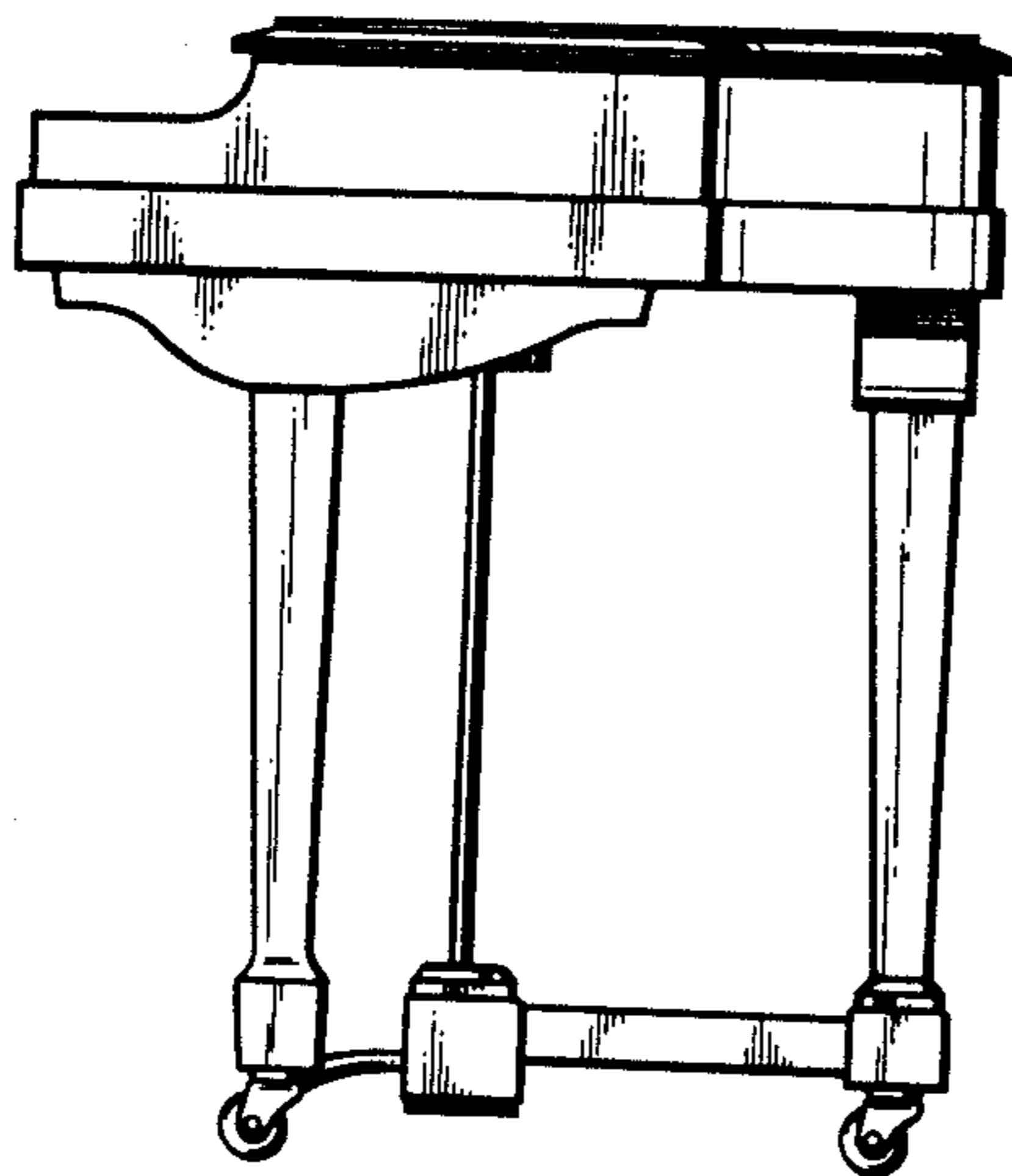


FIG. 3

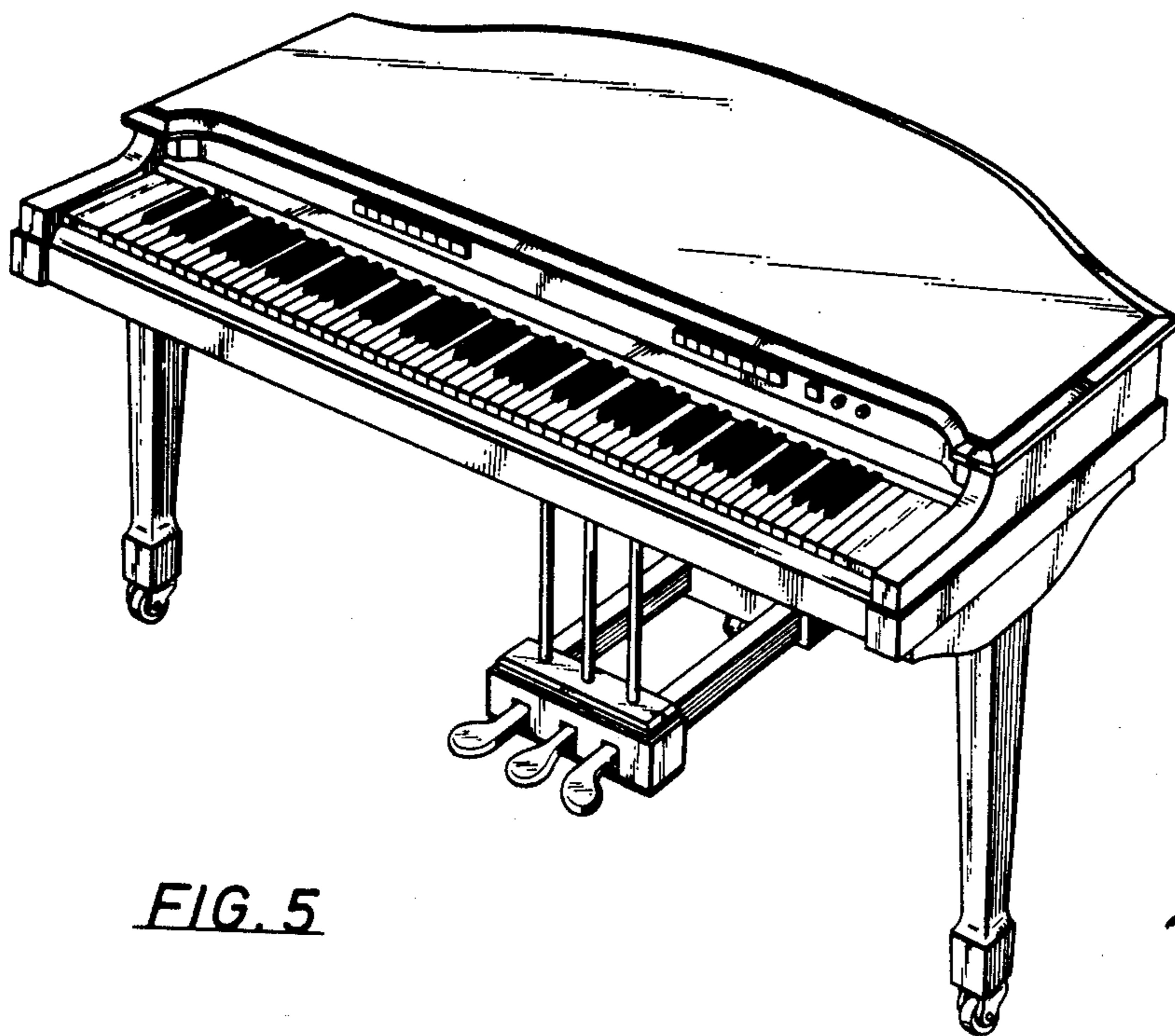


FIG. 5

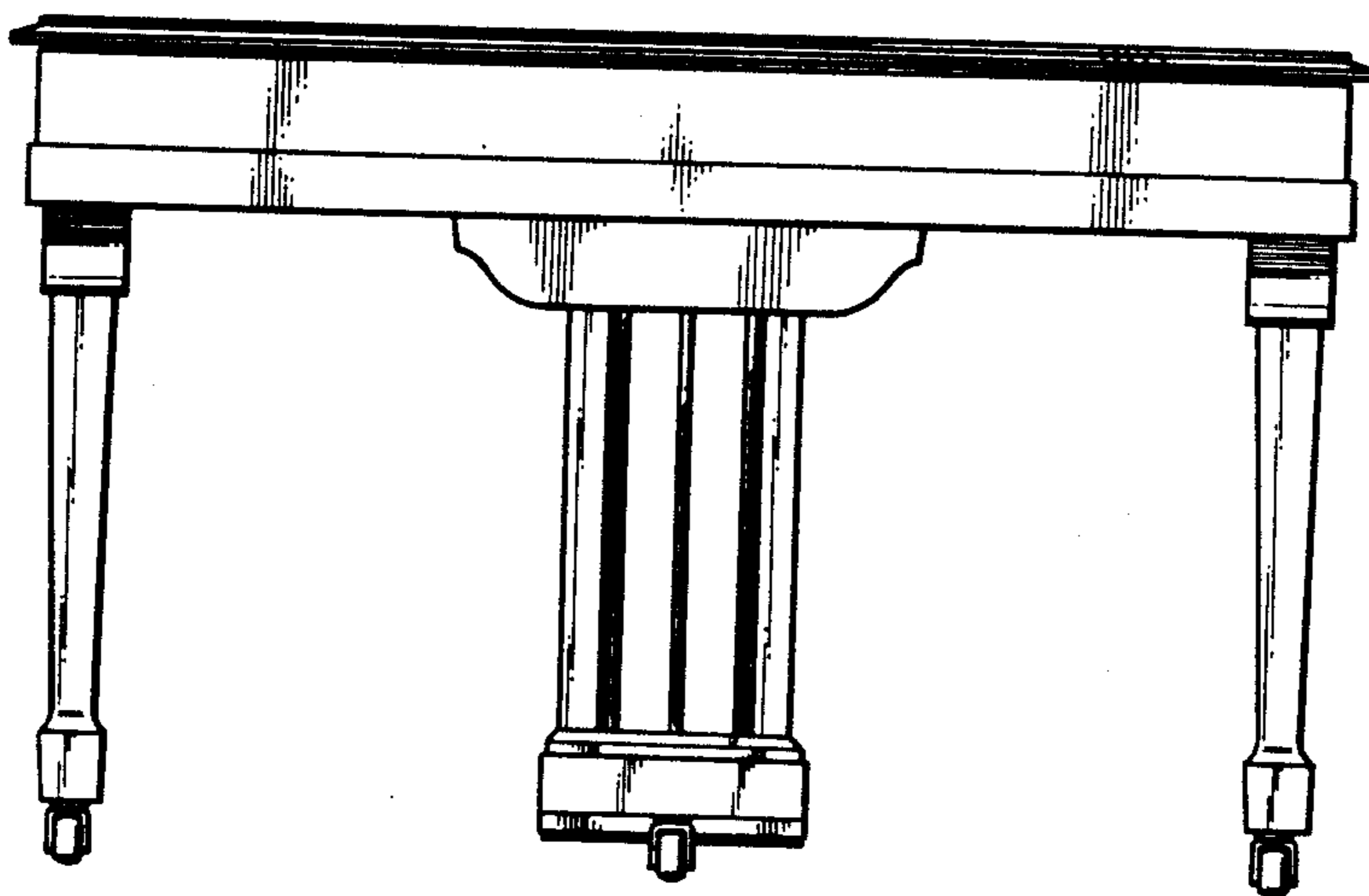


FIG. 4