

[54] MONOCULAR

[75] Inventor: Genzo Mitsui, Tokyo, Japan

[73] Assignee: Specwell Corporation, Tokyo, Japan

[**] Term: 14 Years

[21] Appl. No.: 856,470

[22] Filed: Dec. 1, 1977

[51] Int. Cl. D16-06

[52] U.S. Cl. D16/60

[58] Field of Search D16/59, 60; 350/46, 350/77, 47, 42

[56] References Cited

U.S. PATENT DOCUMENTS

D. 240,333	6/1976	Chesnut	D16/60
D. 241,742	10/1976	Steck	D16/60
3,160,698	12/1964	Frey	D16/60 X
4,130,340	12/1978	Kooi	350/47

OTHER PUBLICATIONS

Edmund, Catalog No. #762, ©1975, p. 125, Zoom Eyepiece, lower left of page.

Primary Examiner—Bernard Ansher
Attorney, Agent, or Firm—Jack Oisher

[57] CLAIM

The ornamental design for a monocular, substantially as shown and described.

DESCRIPTION

FIG. 1 is a top plan view of a monocular showing my new design;
FIG. 2 is a front elevation thereof;
FIG. 3 is a rear elevation thereof;
FIG. 4 is a right side elevation thereof;
FIG. 5 is a bottom plan view thereof;
FIG. 6 is a top front perspective view thereof;
FIG. 7 is a view similar to FIG. 4 depicted in an alternate position; and
FIG. 8 is a cross-section taken on the line 8—8 of FIG. 1.

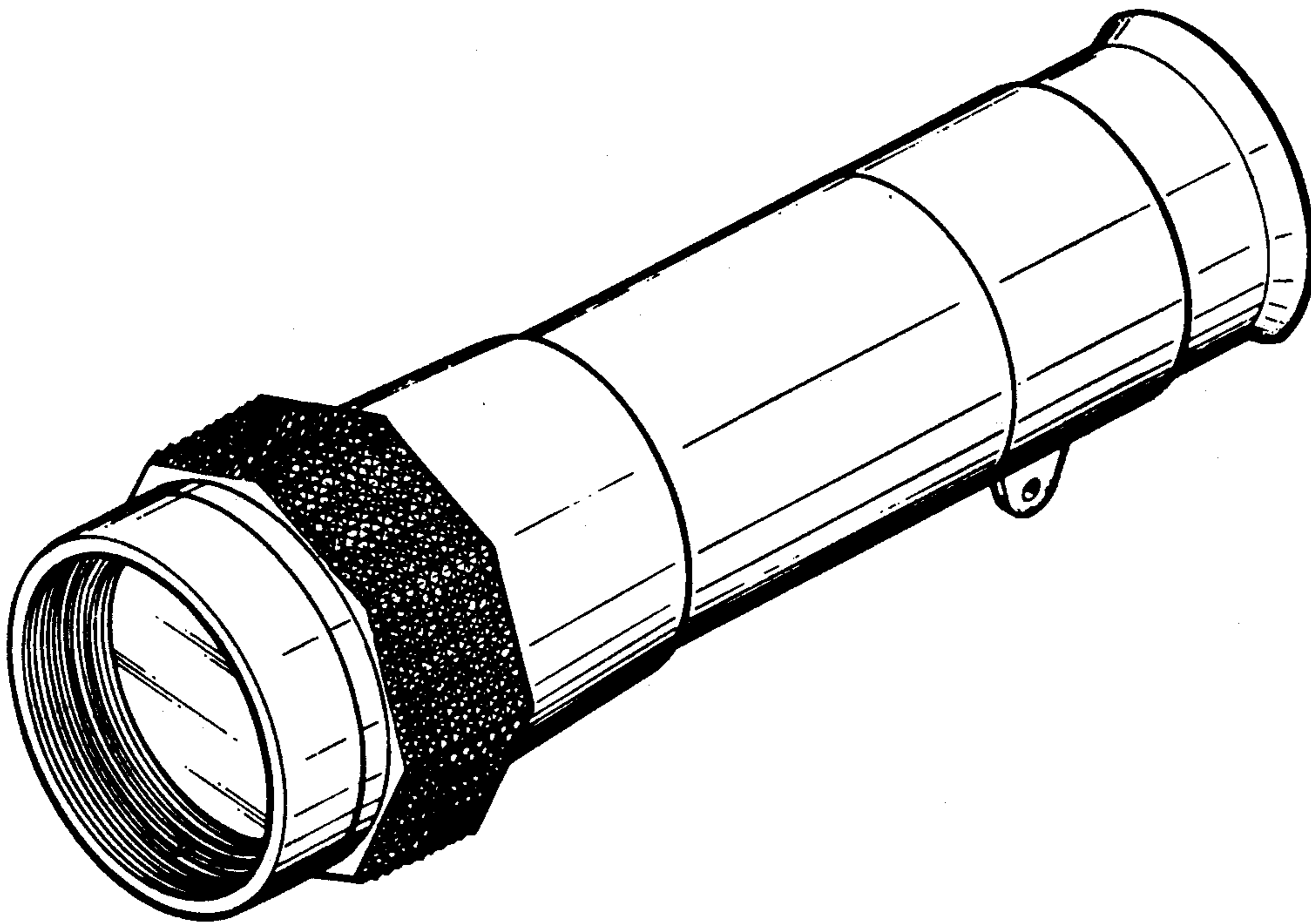


FIG.1

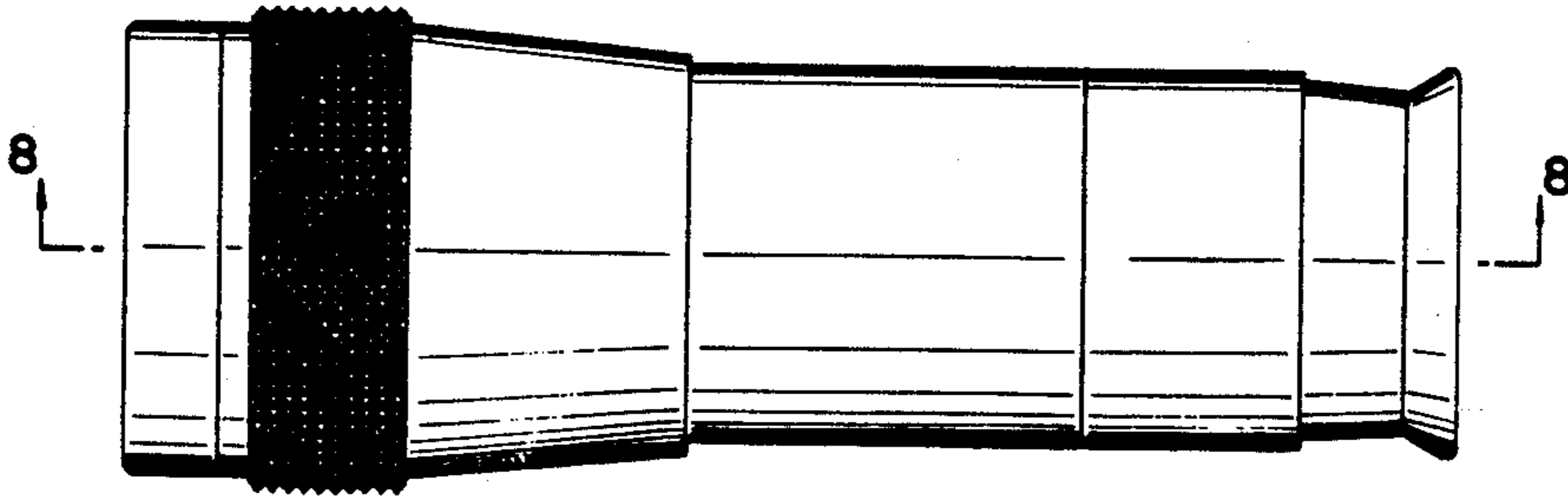


FIG.2

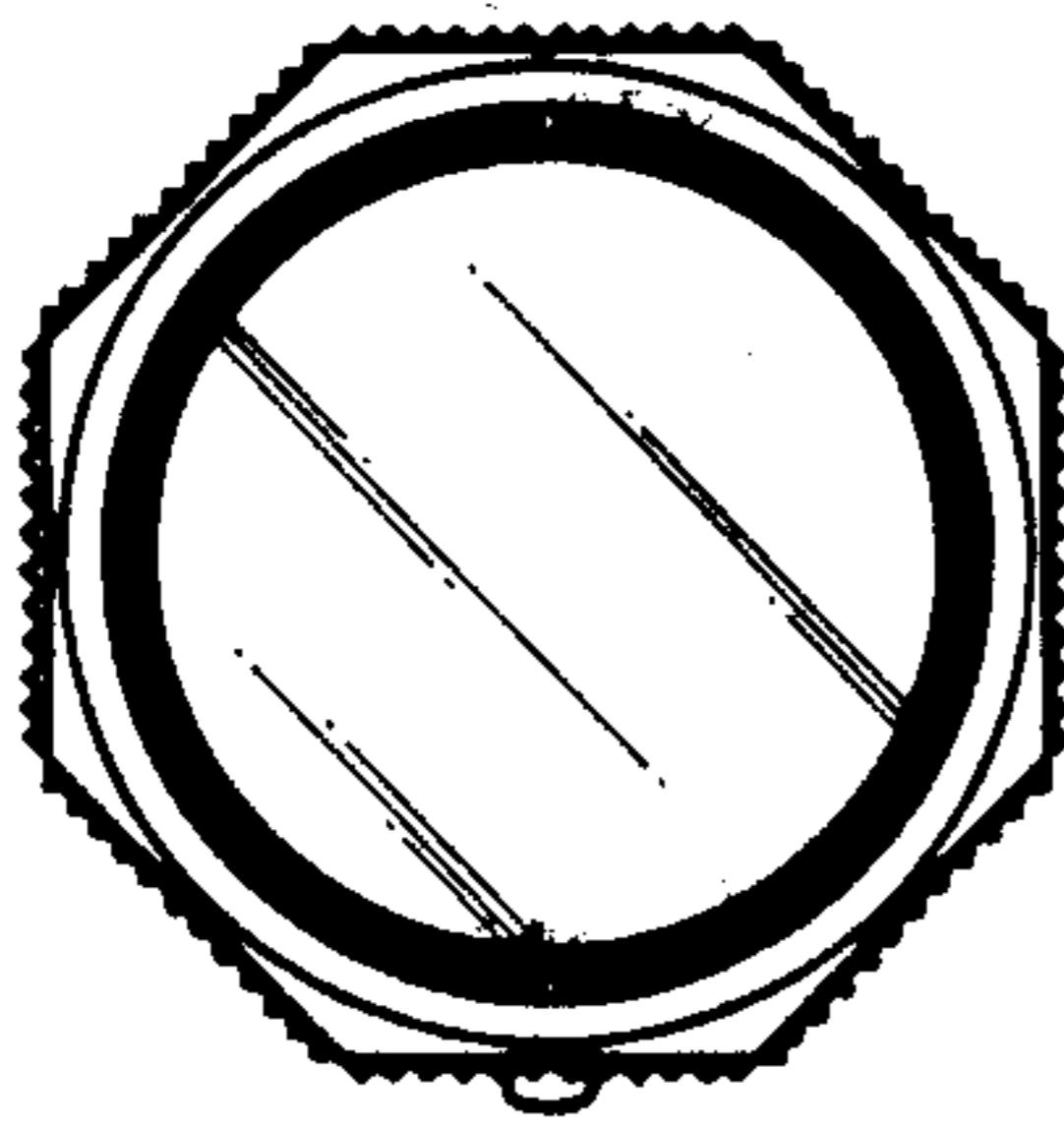


FIG.3

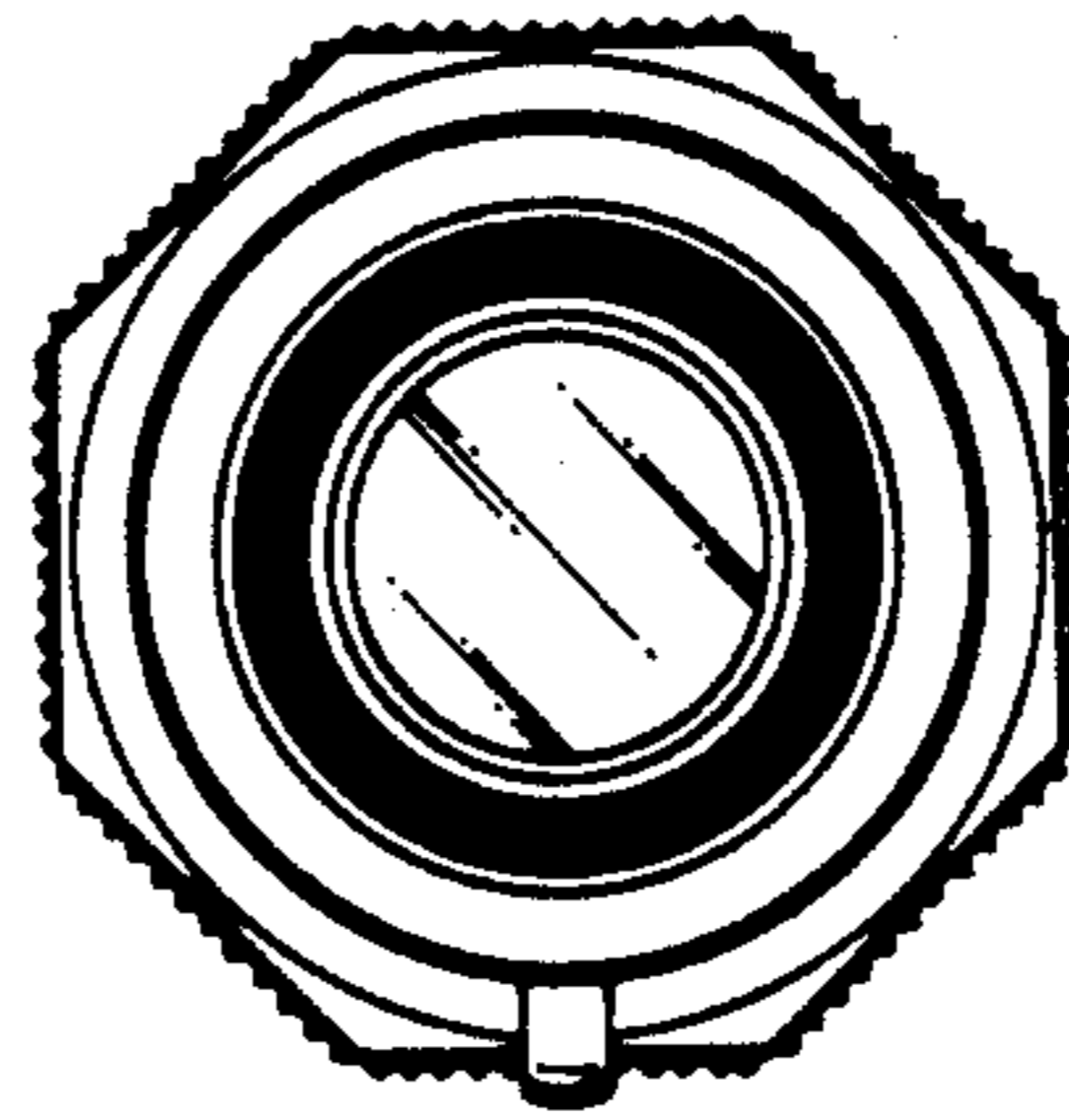


FIG.4

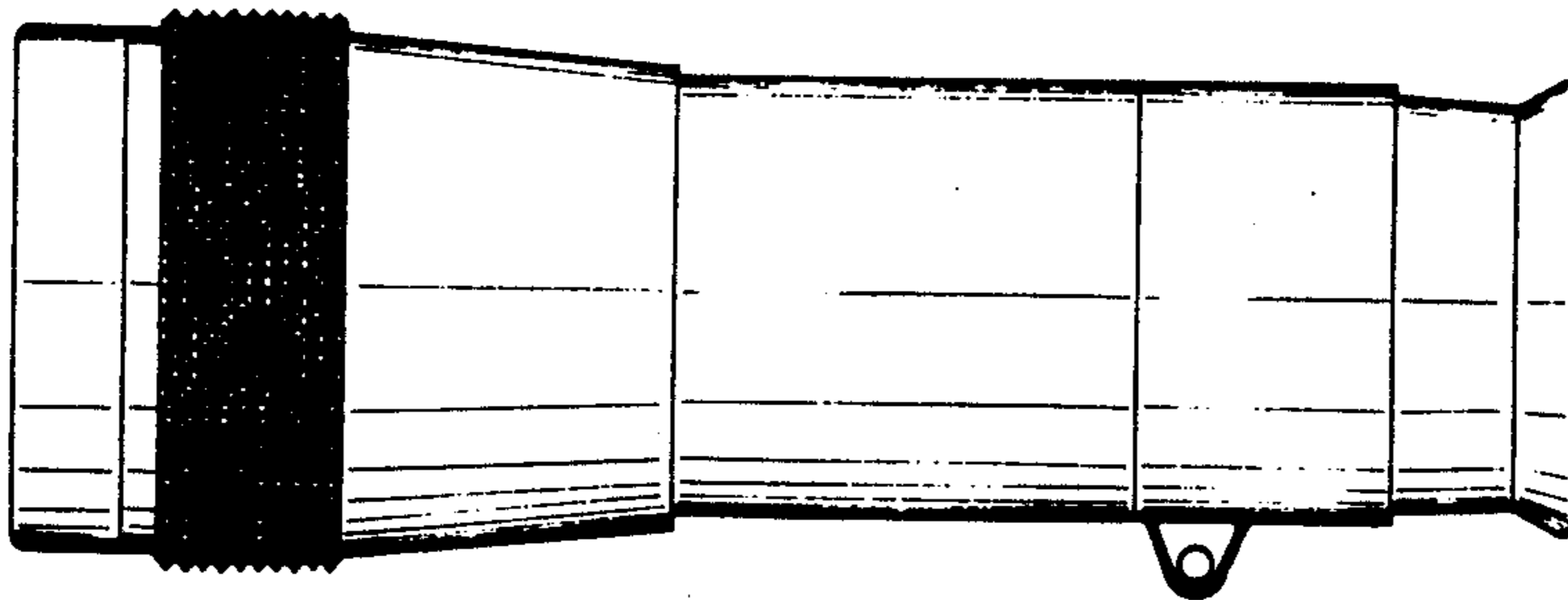


FIG.5

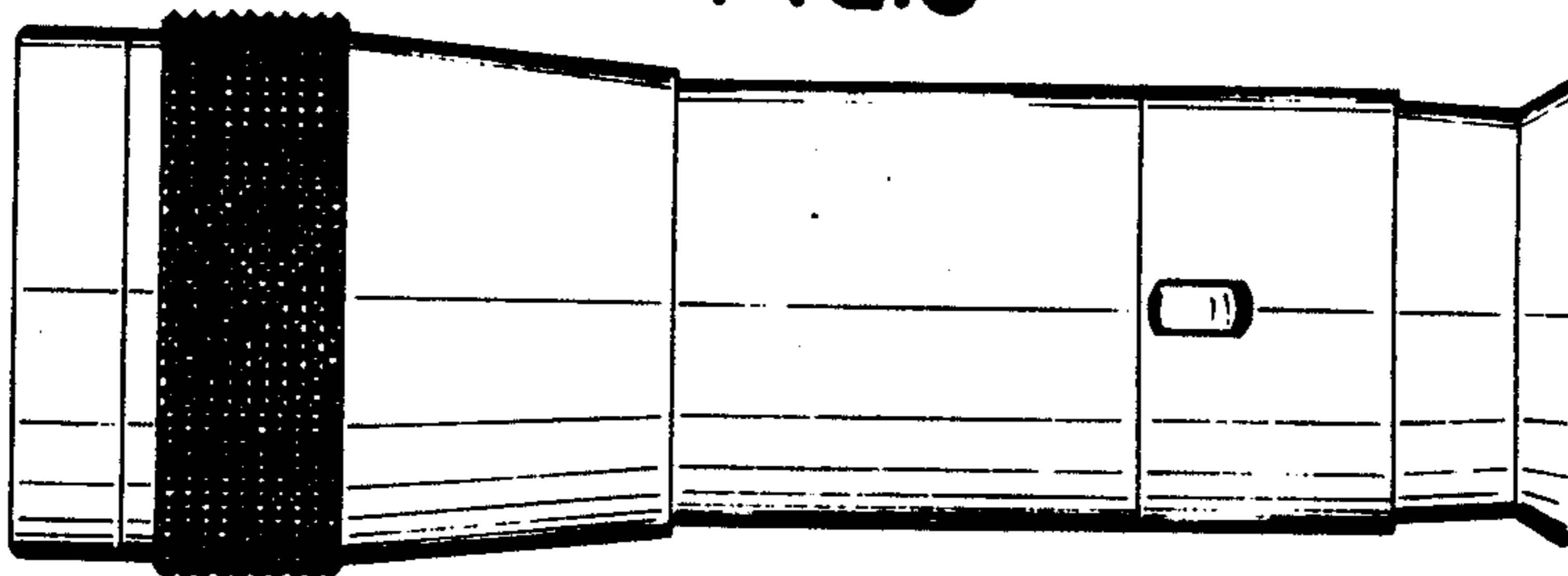


FIG.6

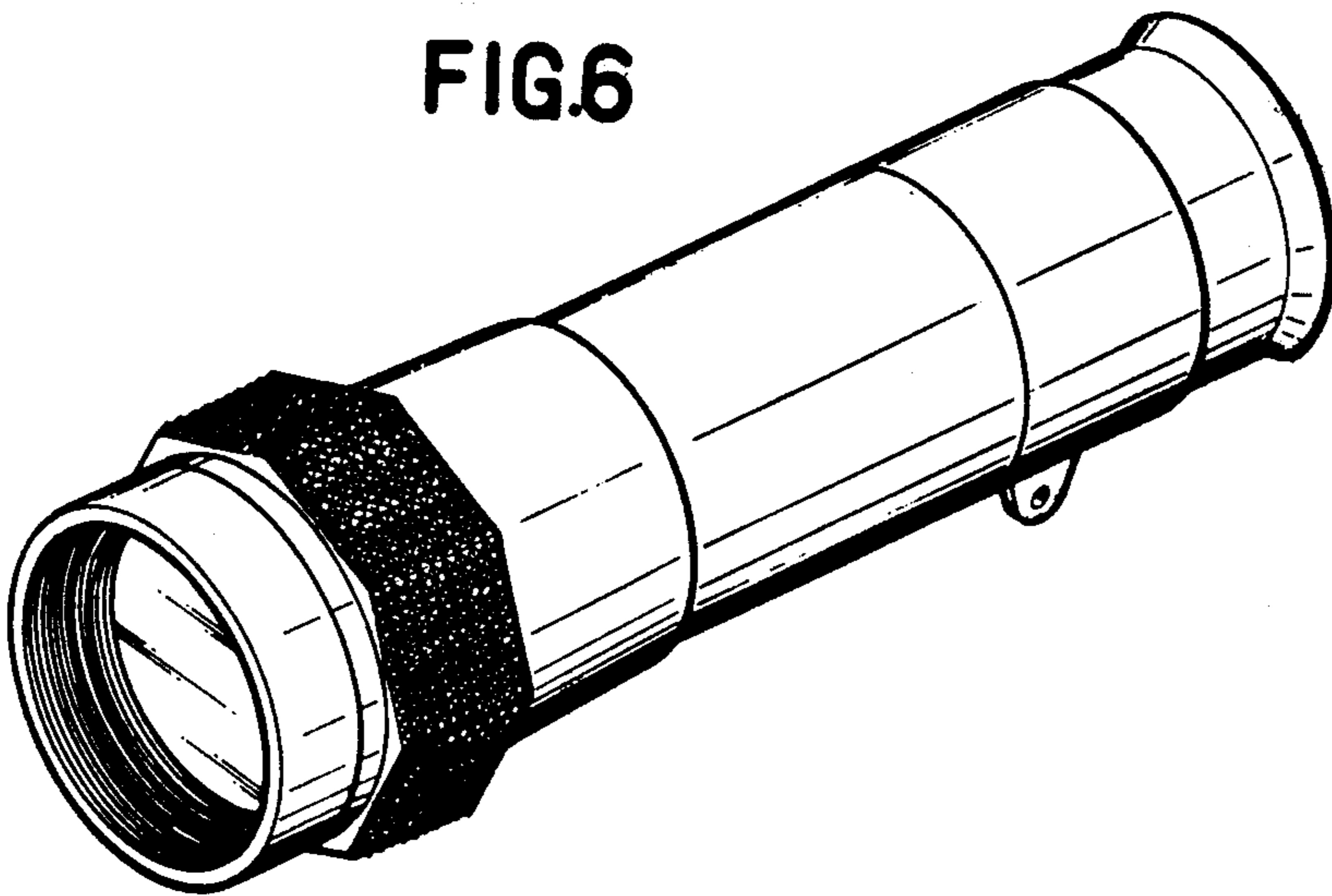


FIG.7

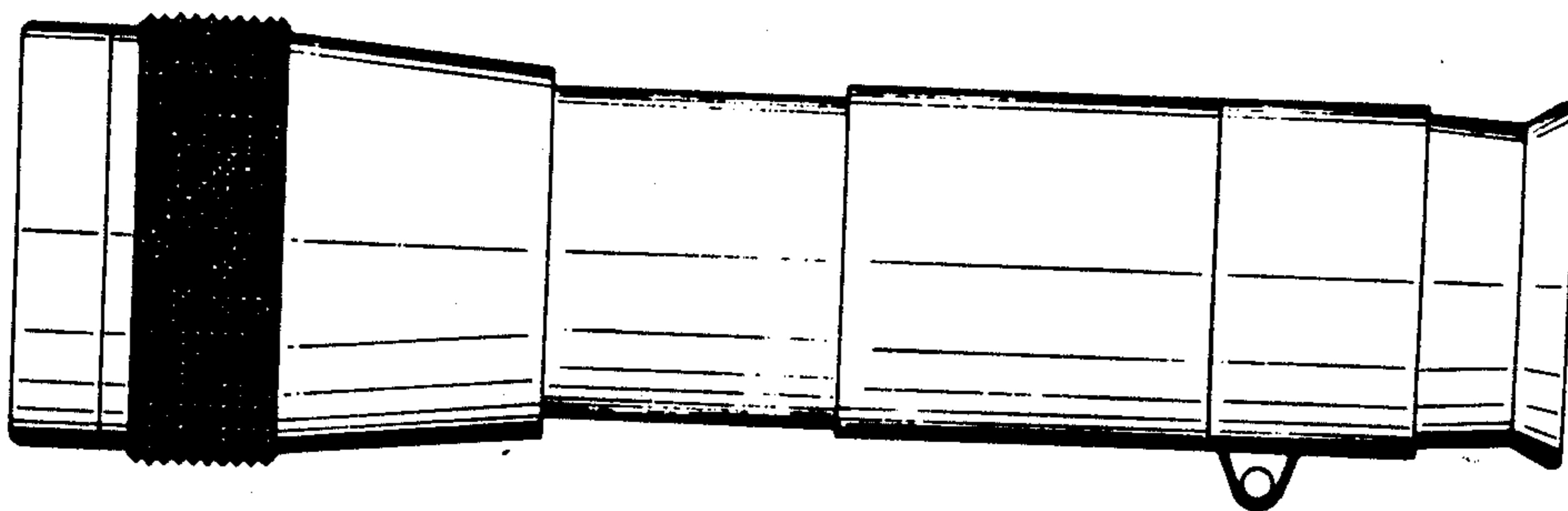


FIG.8

