

[54] FLASH ATTACHMENT BRACKET FOR A CAMERA

[76] Inventor: Paul H. Borisoff, 7726 Burnet Ave., Van Nuys, Calif. 91405

[**] Term: 14 Years

[21] Appl. No.: 879,680

[22] Filed: Feb. 21, 1978

[51] Int. Cl. D16-05

[52] U.S. Cl. D16/47

[58] Field of Search 354/75, 80, 81, 82, 354/126, 145, 202, 288, 293; 248/200, 205 R; D16/42, 47, 44; 362/3, 7, 8, 11

[56] References Cited

U.S. PATENT DOCUMENTS

- D. 185,260 5/1959 Beyer D16/44
- D. 202,231 9/1965 Schroth D16/47

- 2,614,471 10/1952 Markowitz 354/293
- 2,949,838 8/1960 Skalabrin 354/293
- 3,919,538 11/1975 Yata et al. 354/145 X
- 4,081,814 3/1978 Bulland 354/293
- 4,091,402 5/1978 Siegel 354/82 X
- 4,104,623 8/1978 Sloop 354/293

Primary Examiner—Catherine E. Kemper
Attorney, Agent, or Firm—W. W. Glenn

[57] CLAIM

The ornamental design for a flash attachment bracket for a camera, substantially as shown and described.

DESCRIPTION

FIG. 1 is an upper right front perspective view of a flash attachment bracket for a camera, showing my new design; and
FIG. 2 is a lower left front perspective view thereof.
The rear of the flash attachment bracket for a camera is a mirror image of the front.

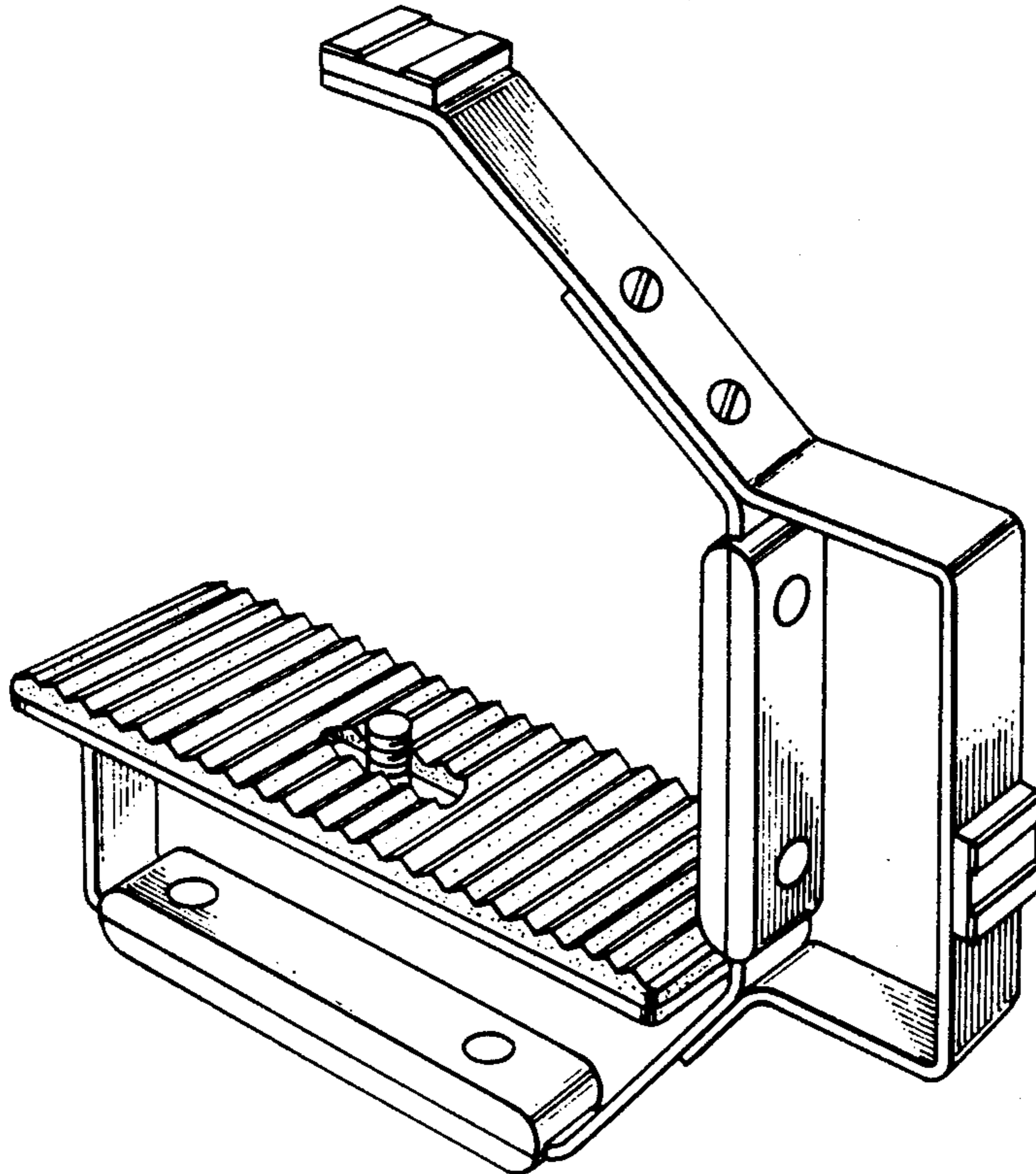


Fig. 1.

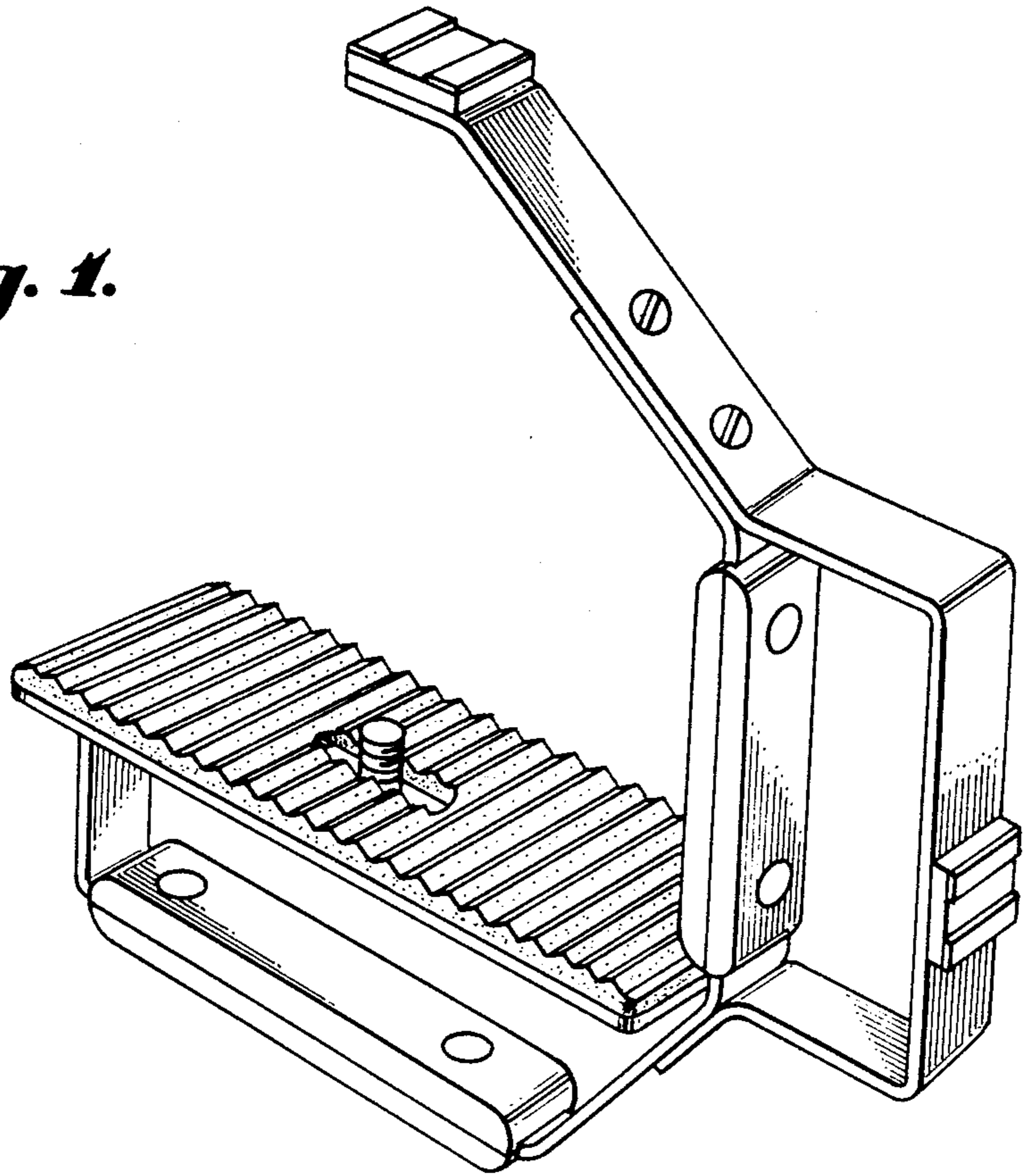


Fig. 2.

