

[54] MICROFILM CAMERA

[75] Inventor: John W. Overman, Phoenix, Ariz.

[73] Assignee: Bell & Howell Company, Chicago, Ill.

[\*\*] Term: 14 Years

[21] Appl. No.: 877,218

[22] Filed: Feb. 13, 1978

[51] Int. Cl. .... D16-03

[52] U.S. Cl. .... D16/02; D16/27

[58] Field of Search ..... D16/1, 2, 27, 28, 25,  
D16/32; 355/18, 23, 54, 64

[56]

References Cited

U.S. PATENT DOCUMENTS

D. 201,590 7/1965 Sigmond ..... D16/2  
D. 228,578 10/1973 Glaros et al. .... D16/2  
D. 230,196 1/1974 Fitzgerald ..... D16/2 X

Primary Examiner—Catherine E. Kemper  
Attorney, Agent, or Firm—Alan B. Samlan

[57]

CLAIM

The ornamental design for a microfilm camera, as shown and described.

DESCRIPTION

FIG. 1 is a perspective view of a microfilm camera showing my new design.

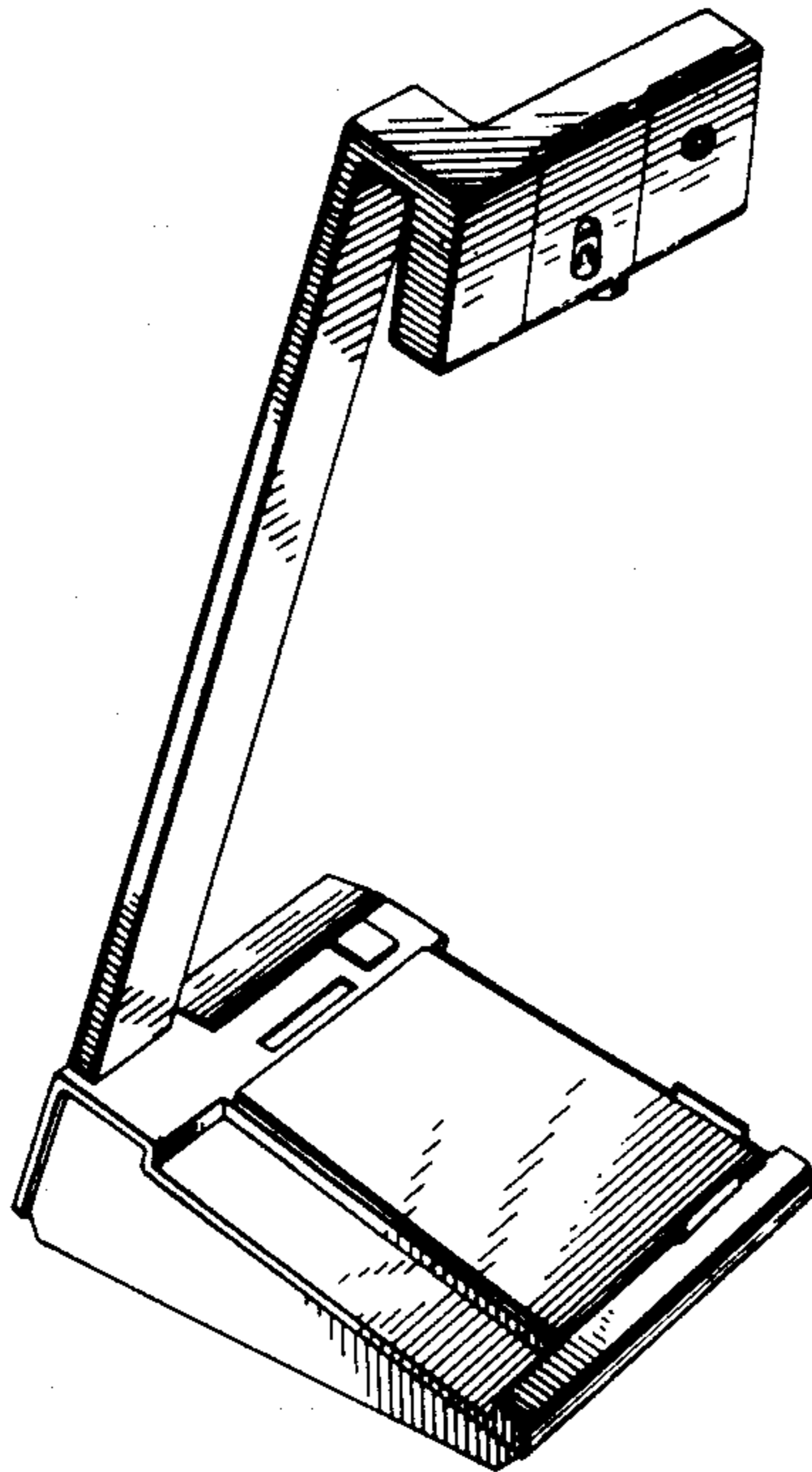
FIG. 2 is a front elevational view thereof.

FIG. 3 is a right side view thereof.

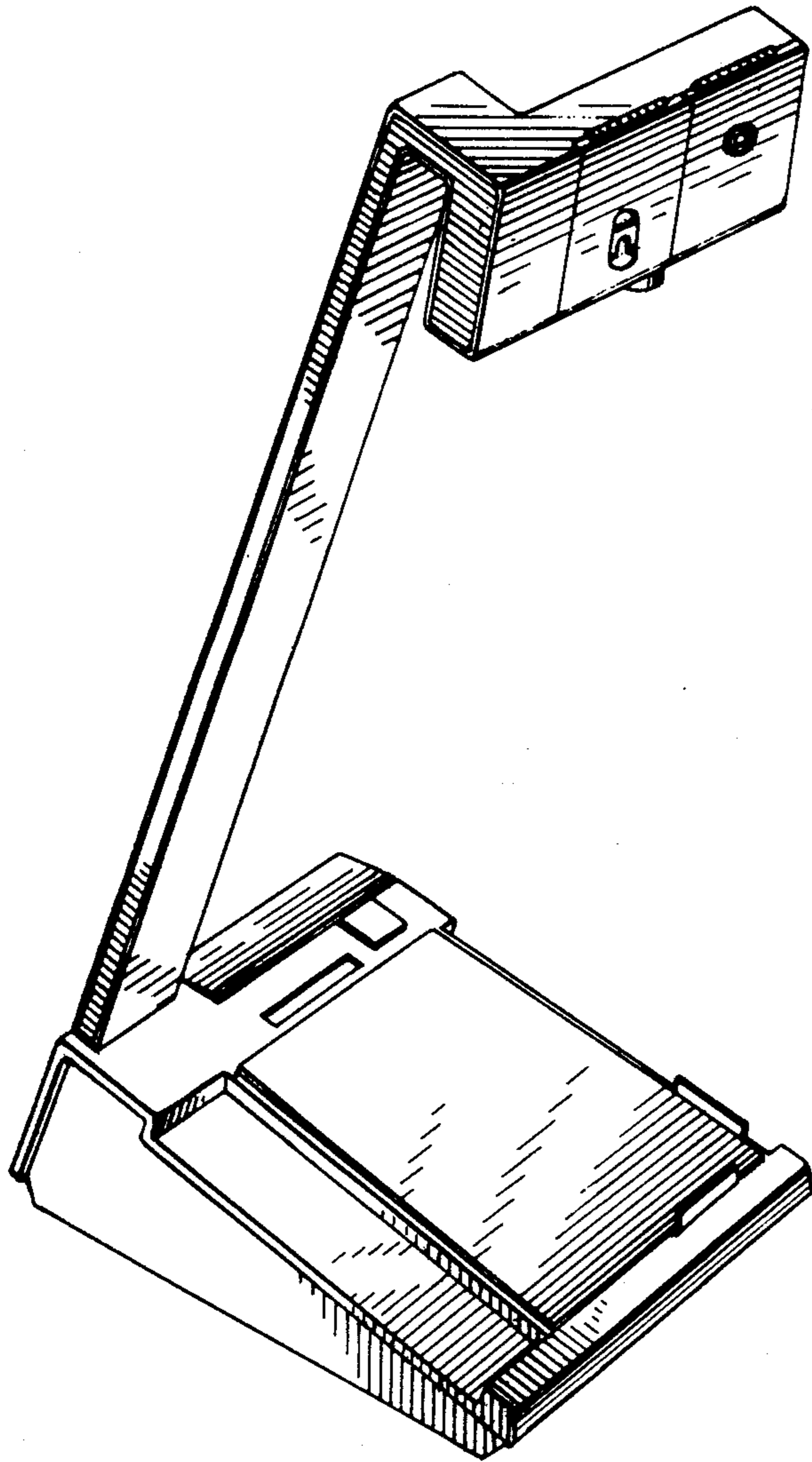
FIG. 4 is a rear elevational view thereof.

FIG. 5 is a bottom elevational view thereof.

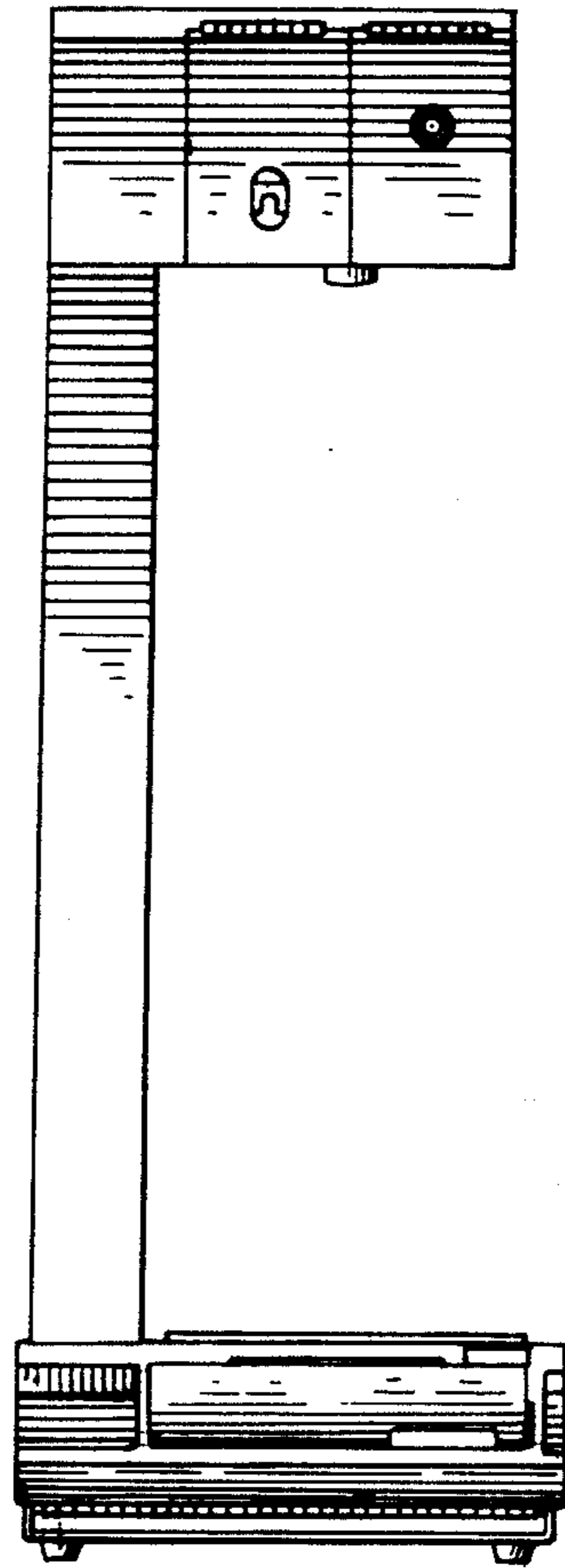
FIG. 6 is a top elevational view thereof.



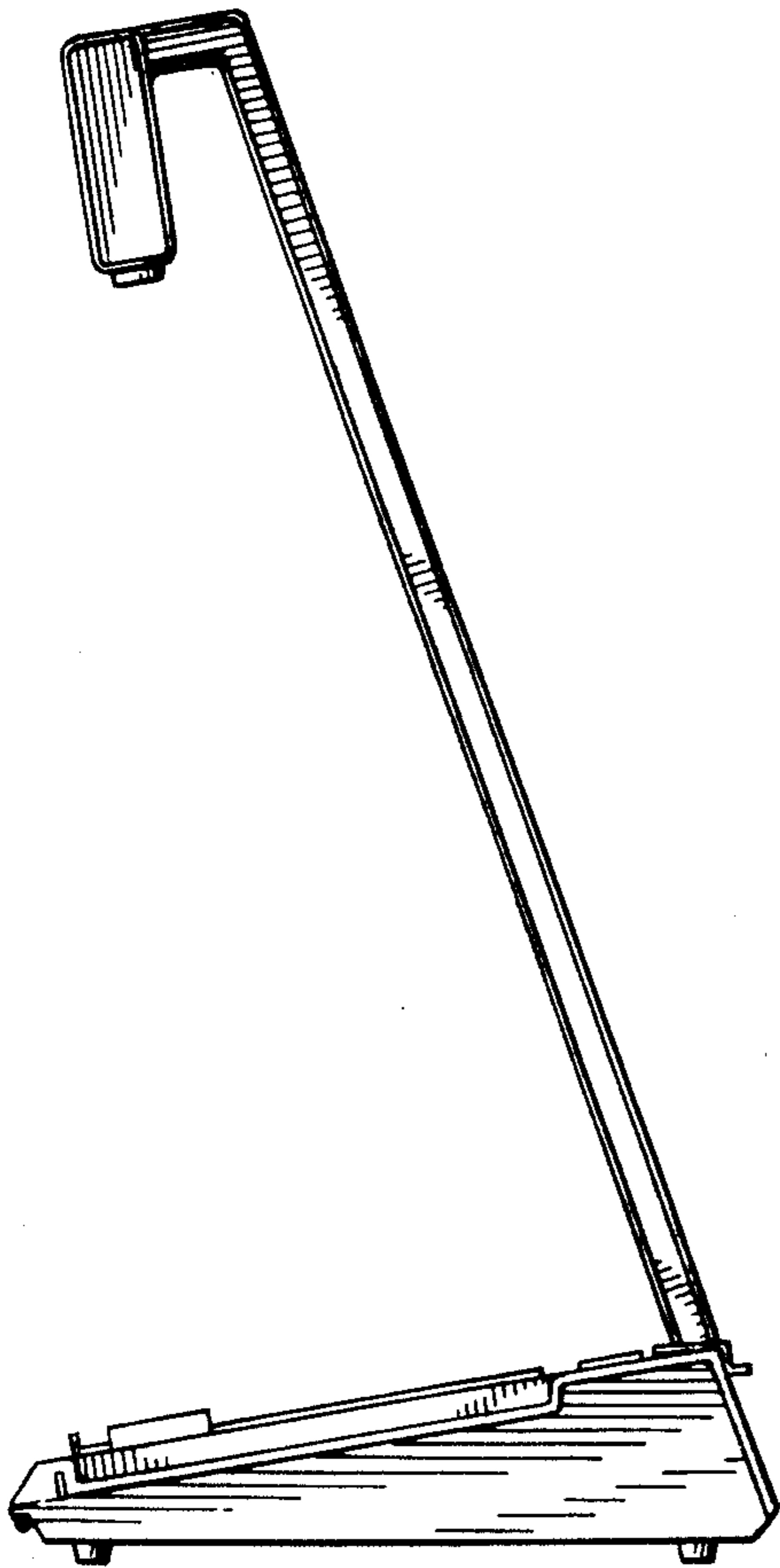
*Fig. 1.*



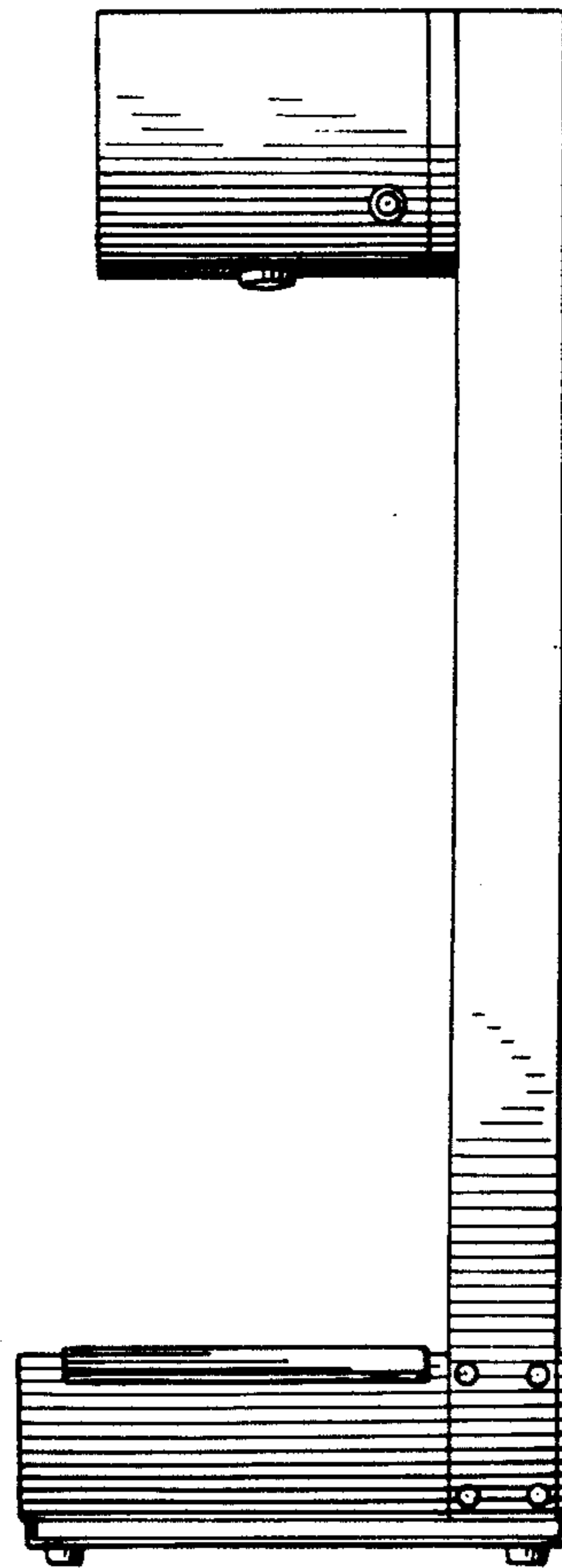
*Fig. 2.*



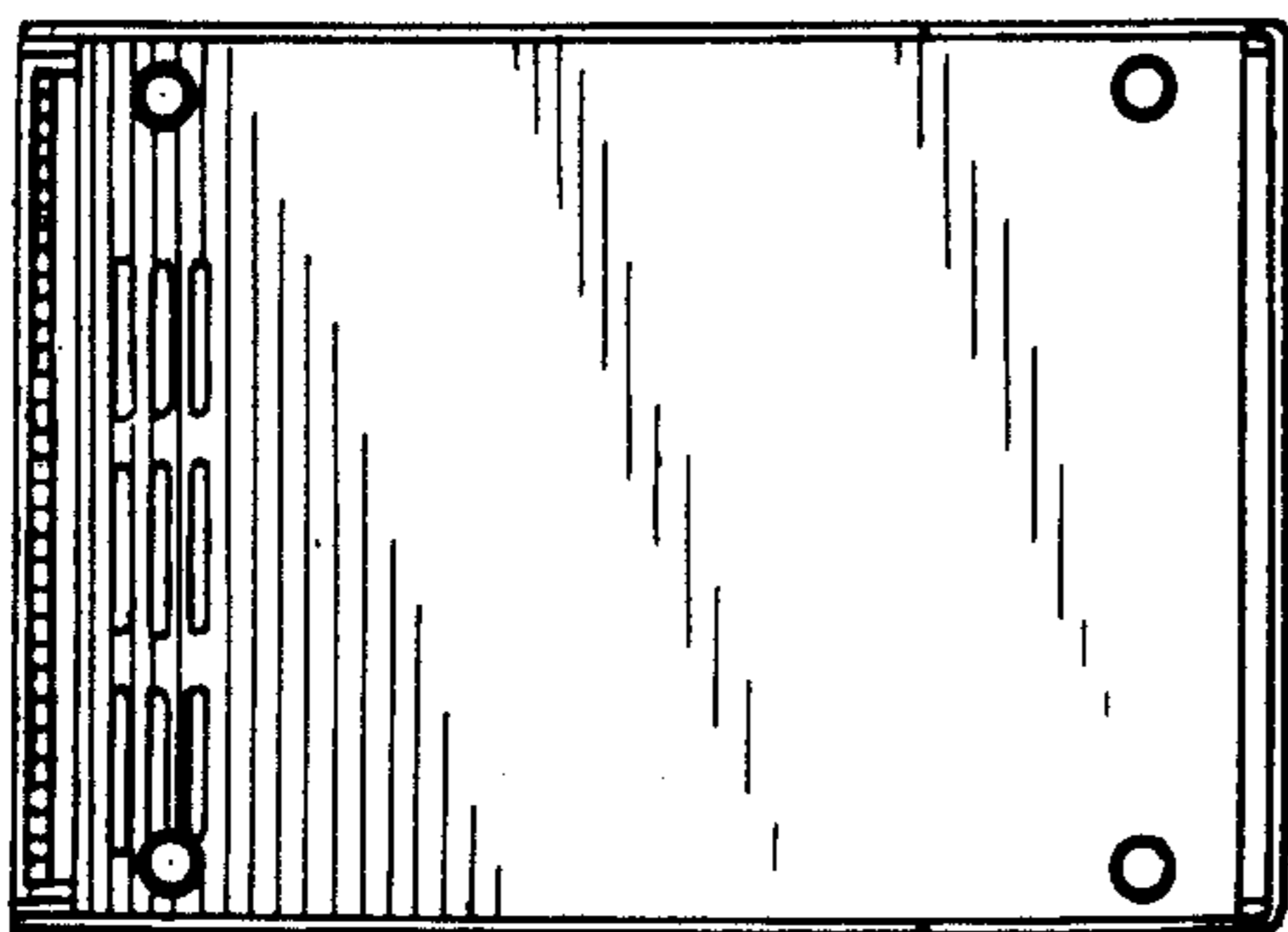
*Fig. 3.*



*Fig. 4.*



*Fig. 5.*



*Fig. 6.*

