

[54] HOOD FOR COMPUTER CATHODE-RAY TERMINAL

[76] Inventor: Francis L. Klemm, P.O. Box 586, Wrightsville Beach, N.C. 28480

[**] Term: 14 Years

[21] Appl. No.: 892,219

[22] Filed: Mar. 31, 1978

[51] Int. Cl. D14-02

[52] U.S. Cl. D14/40

[58] Field of Search D14/40, 51; D18/5, 6, D18/7, 11, 13, 18, 22, 23; D13/40, 41; 340/365 R; 364/900, 800, 706, 708, 401, 402, 406, 408; 361/331; 312/223; 235/310, 311, 375, 378, 382, 419, 420, 429-433, 92 CA, 92 DP

[56] References Cited

U.S. PATENT DOCUMENTS

D. 184,724 3/1959 Geisler D13/41

FOREIGN PATENT DOCUMENTS

2445792 4/1976 Fed. Rep. of Germany 361/380

Primary Examiner—Susan J. Lucas

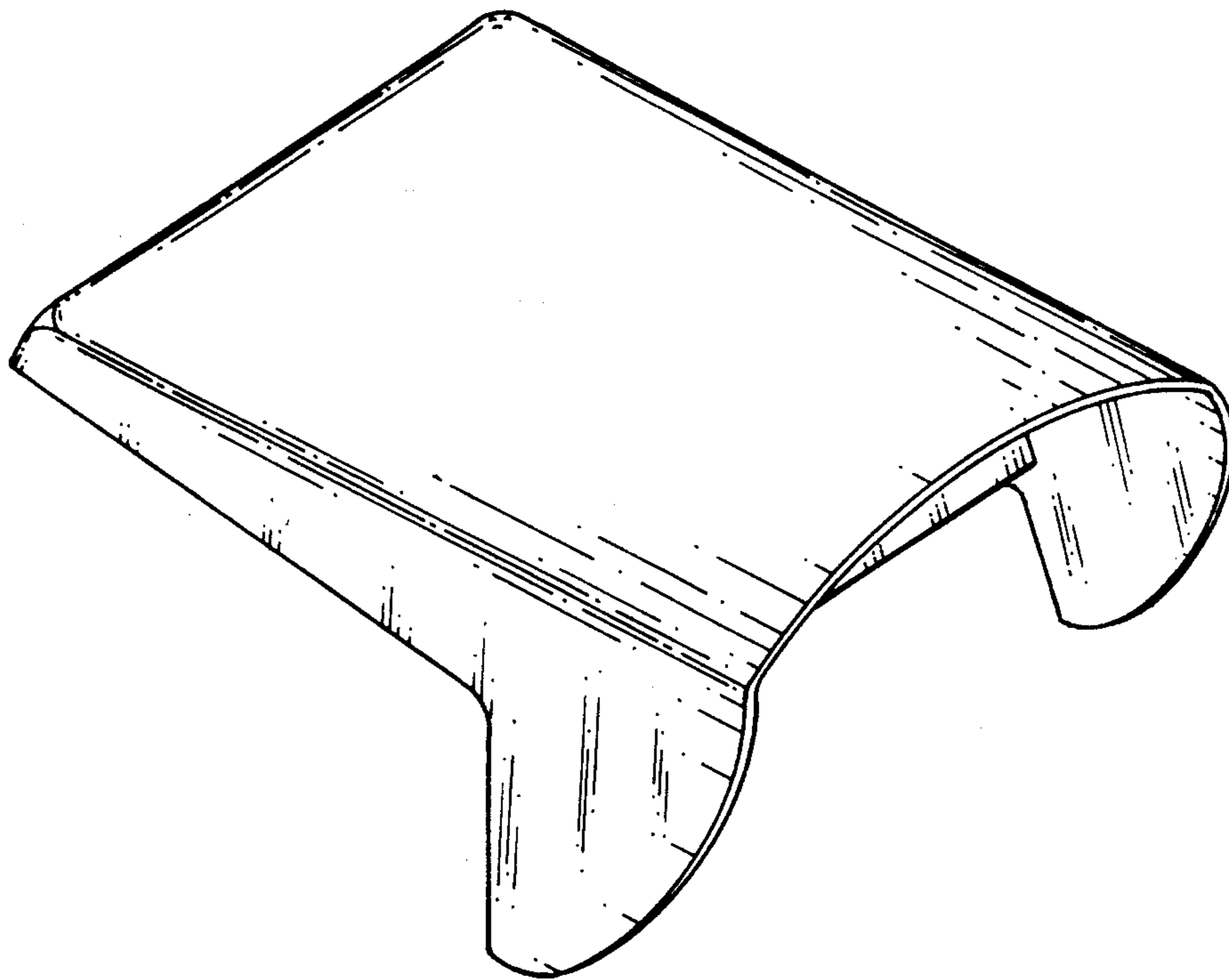
Attorney, Agent, or Firm—Joseph H. Heard

[57] CLAIM

The ornamental design for a hood for computer cathode-ray terminal, as shown.

DESCRIPTION

FIG. 1 is a top perspective view of a hood for computer cathode-ray terminal, showing my new design; FIG. 2 is a bottom perspective view thereof; FIG. 3 is a side perspective view thereof; FIG. 4 is a side elevational view thereof; FIG. 5 is a front elevational view thereof; and FIG. 6 is a rear elevational view thereof.



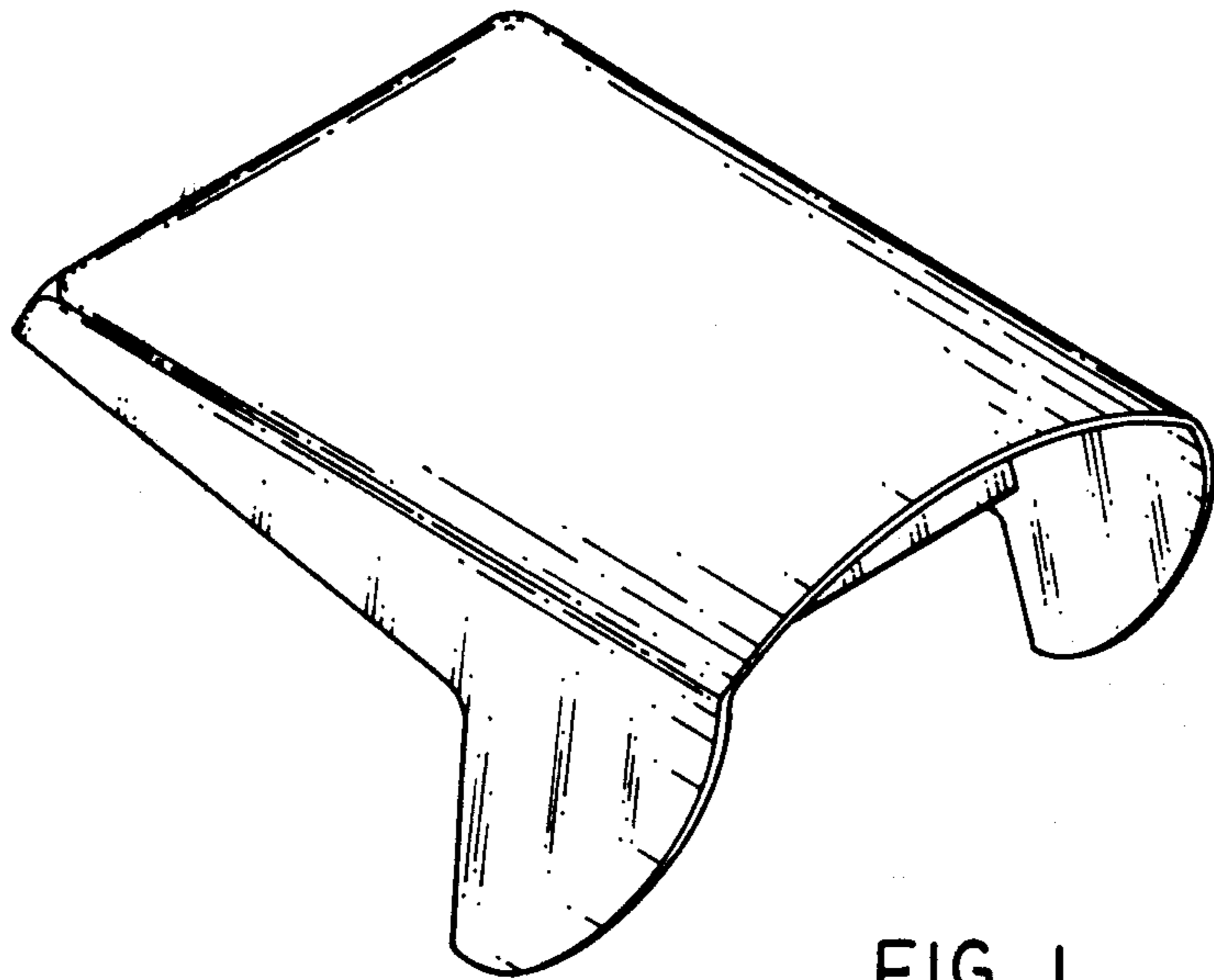


FIG. 1

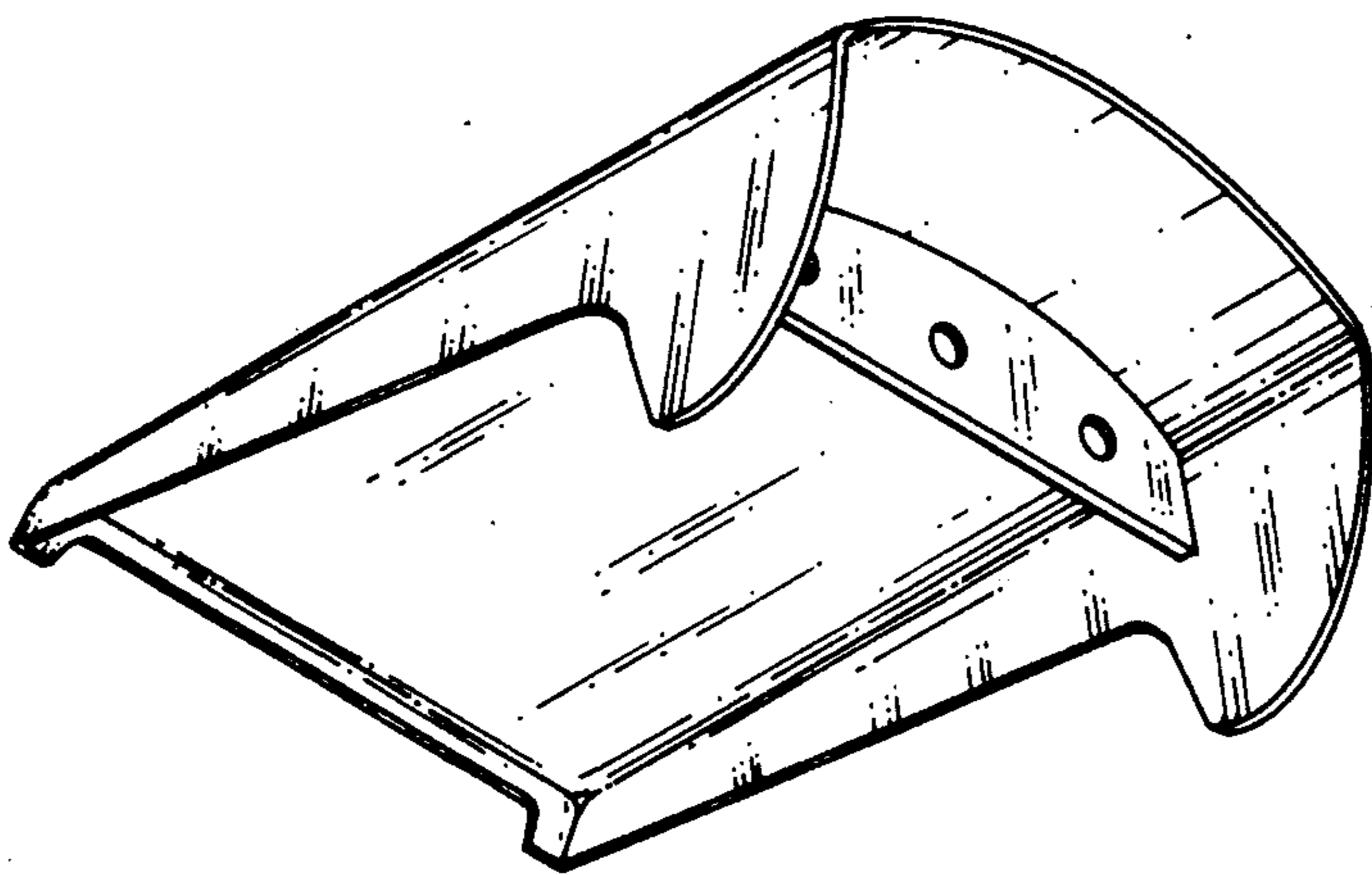


FIG. 2

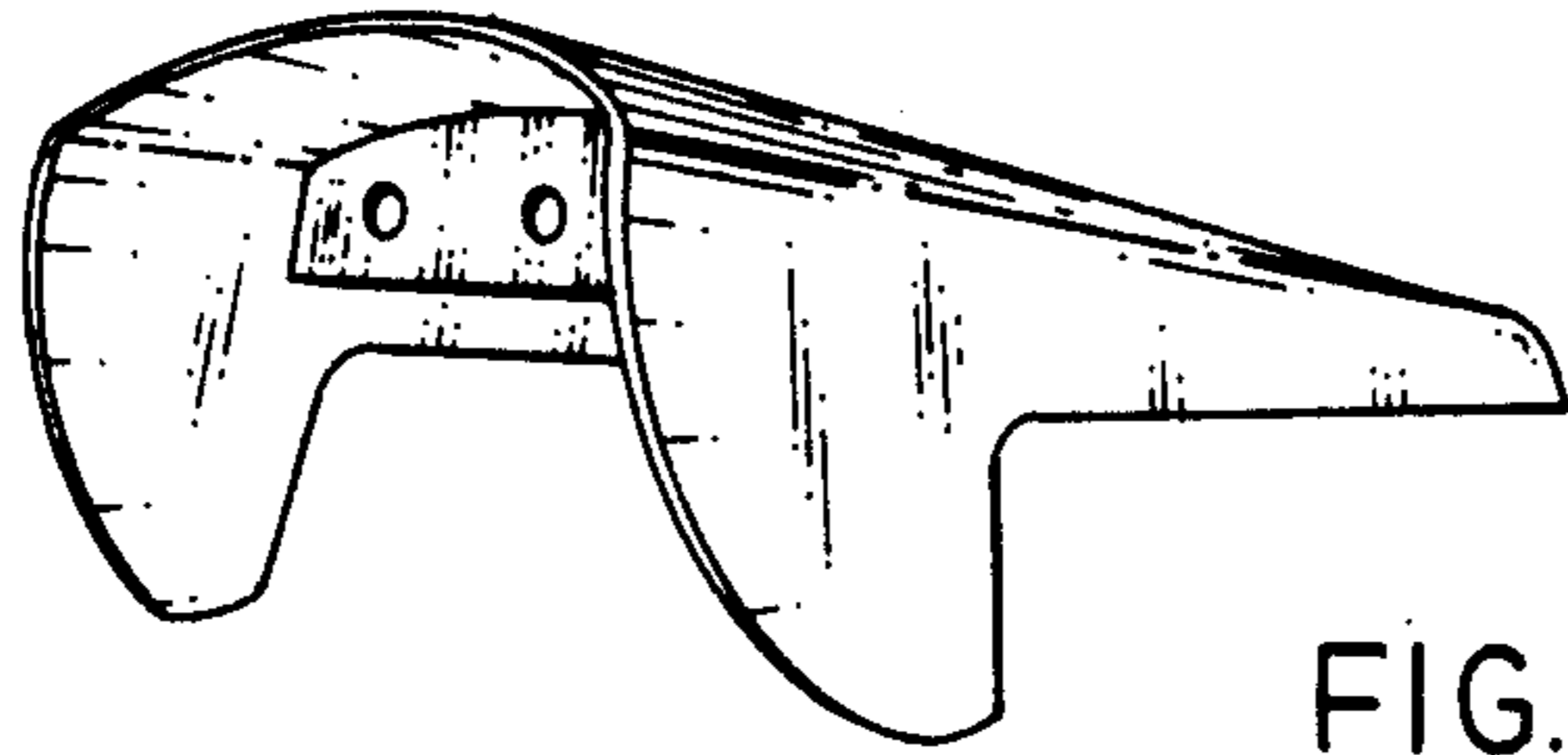


FIG. 3

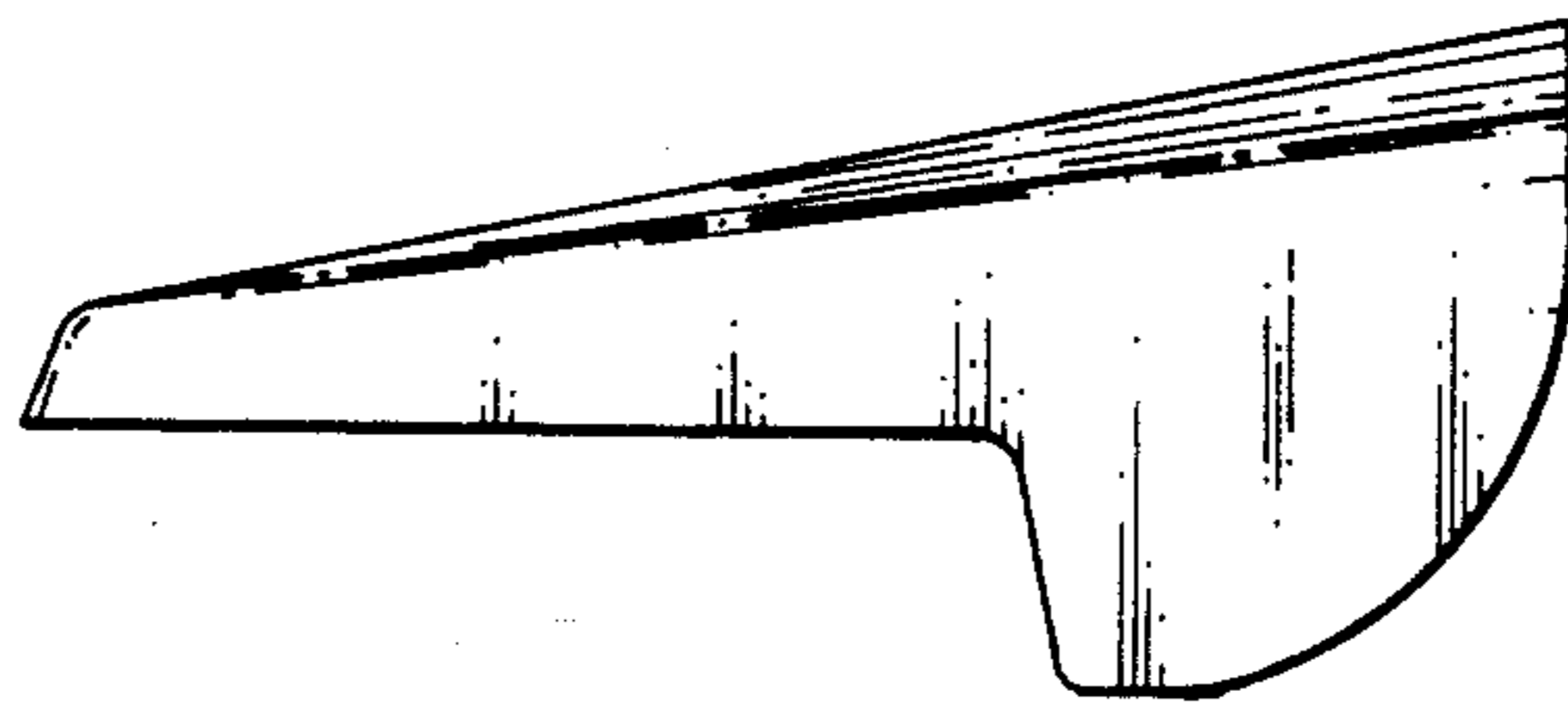


FIG. 4

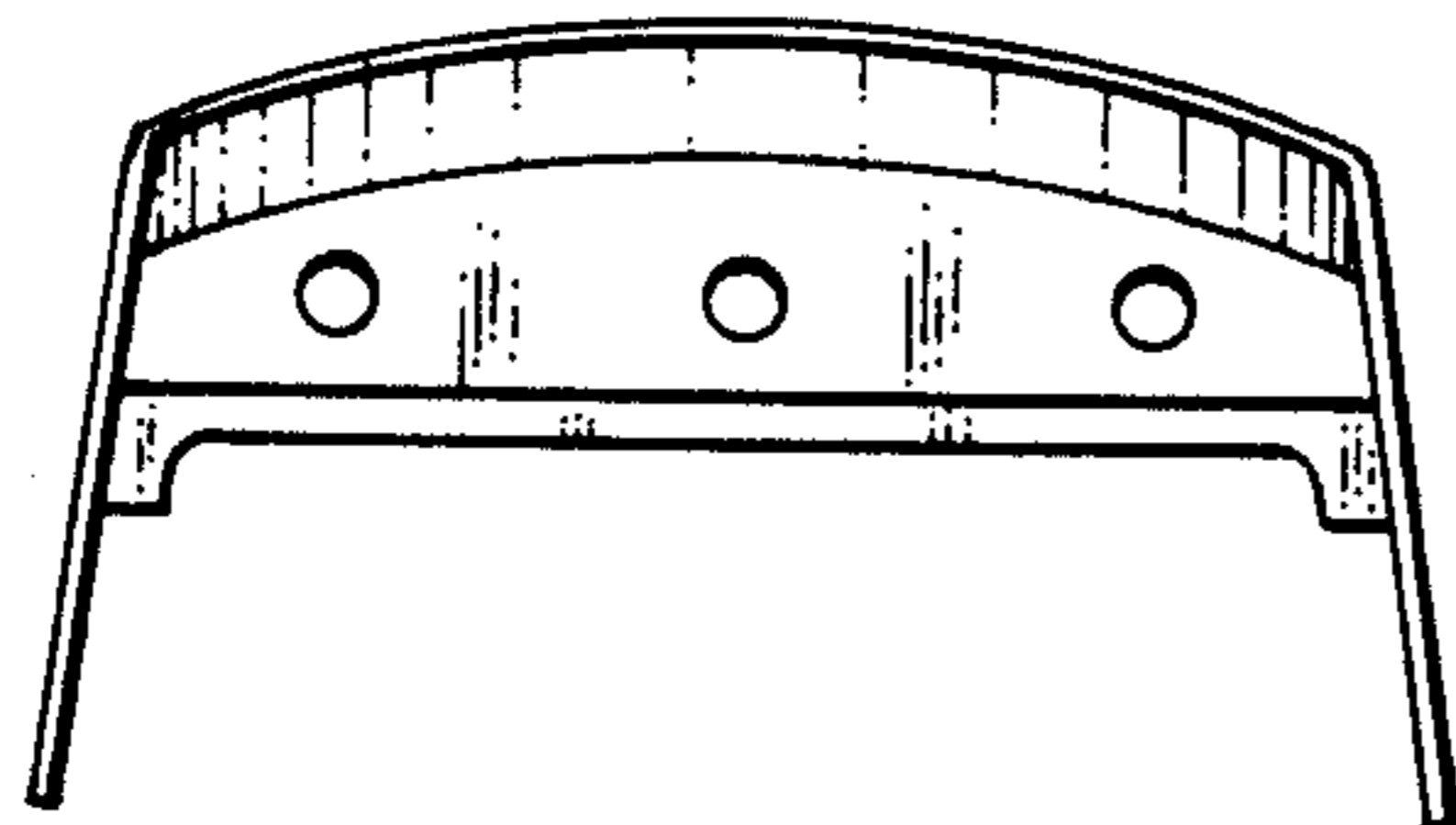


FIG. 5

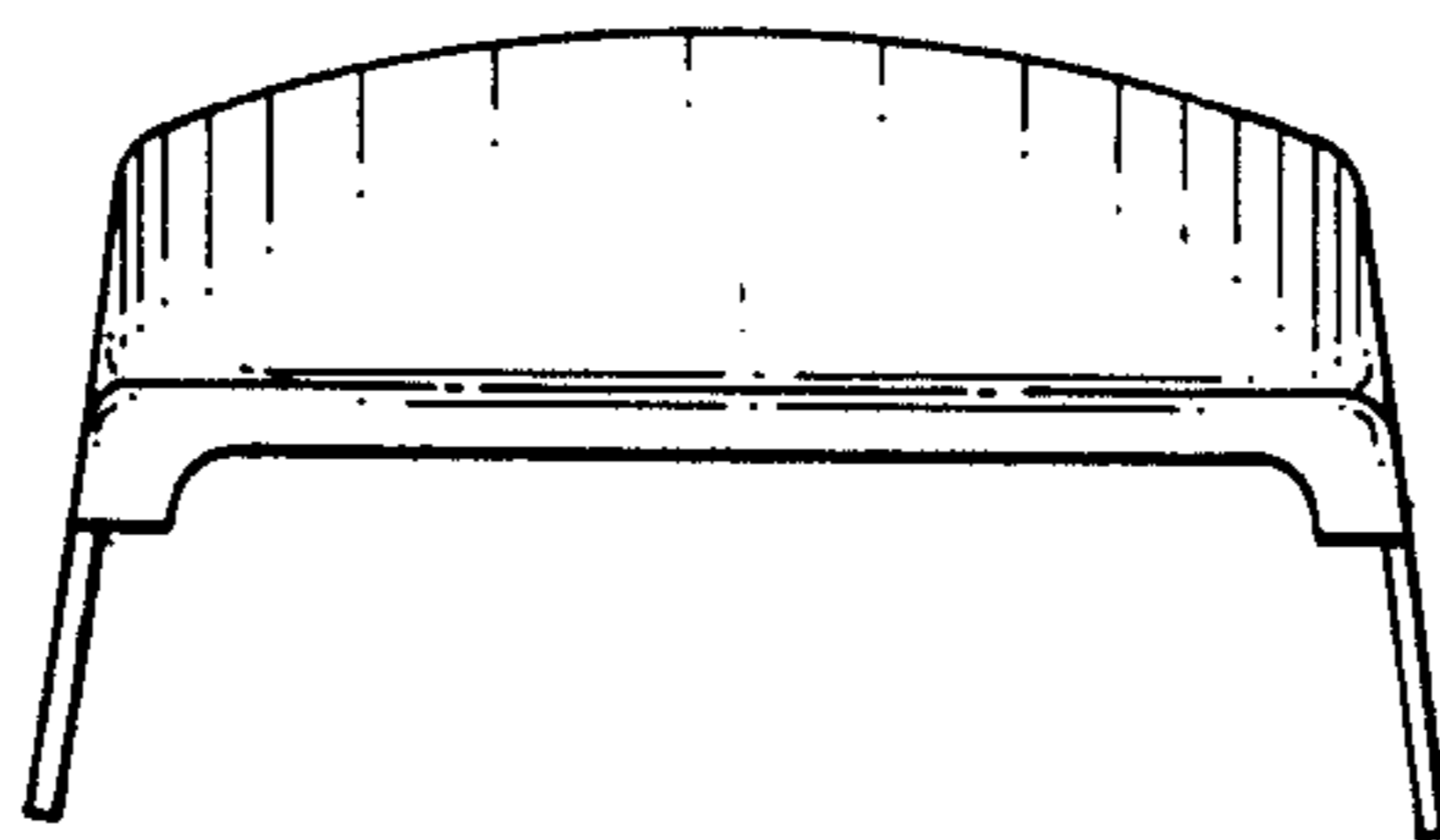


FIG. 6