

[54] VIDEO DISC PLAYER

[75] Inventors: Marlan H. Polhemus, Chicago; Andrew L. Alger, Wilmette, both of Ill.

[73] Assignee: RCA Corporation, New York, N.Y.

[**] Term: 14 Years

[21] Appl. No.: 866,607

[22] Filed: Jan. 3, 1978

[51] Int. Cl. D14-01

[52] U.S. Cl. D14/2; D14/6

[58] Field of Search D24/1, 2; 360/33-38, 360/79; D14/2, 36

[56] References Cited

U.S. PATENT DOCUMENTS

D. 244,053	4/1977	Van De Poel	D14/2
D. 250,470	12/1978	Nishigaki	D14/2
D. 250,471	12/1978	Nishigaki	D14/2
3,493,676	2/1970	Guerin	360/33

OTHER PUBLICATIONS

3,493,676 02001970 Guerin 360 33 Eduology, vol. 4, Issue I, 1973, cover sheet, Philips Video Disc Player.

Electronics, McGraw-Hill, New York, New York, pp. 106 and 107, Video Cassette Recorder, Nov. 24, 1977.

Primary Examiner—Bernard Ansher Attorney, Agent, or Firm—Eugene M. Whitacre

[57] CLAIM

The ornamental design for a video disc player, as shown and described.

DESCRIPTION

FIG. 1 is a front perspective view of a video disc player, showing our new design;

FIG. 2 is a front view thereof;

FIG. 3 is a side perspective thereof;

FIG. 4 is a rear view thereof; and

FIG. 5 is a top rear perspective thereof.

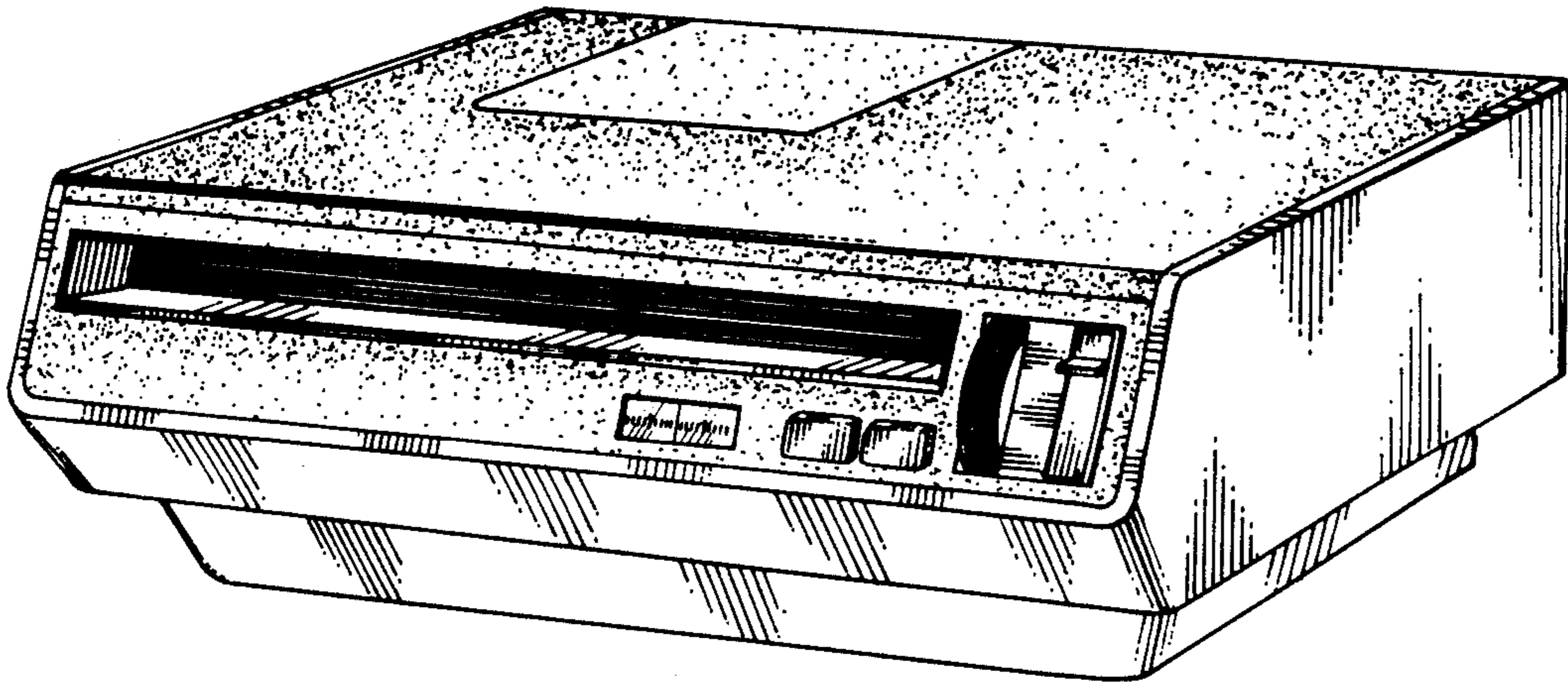


Fig. 1.

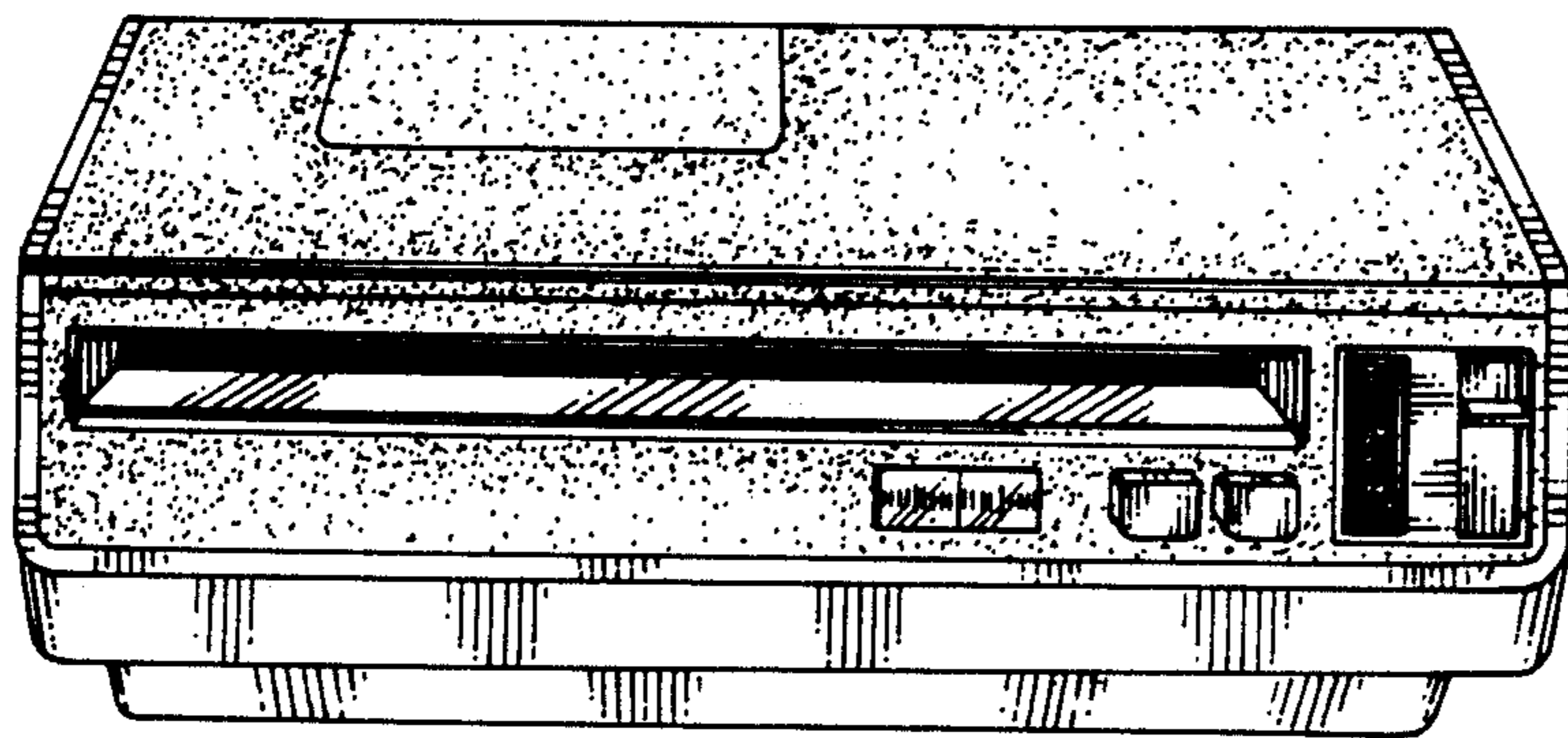
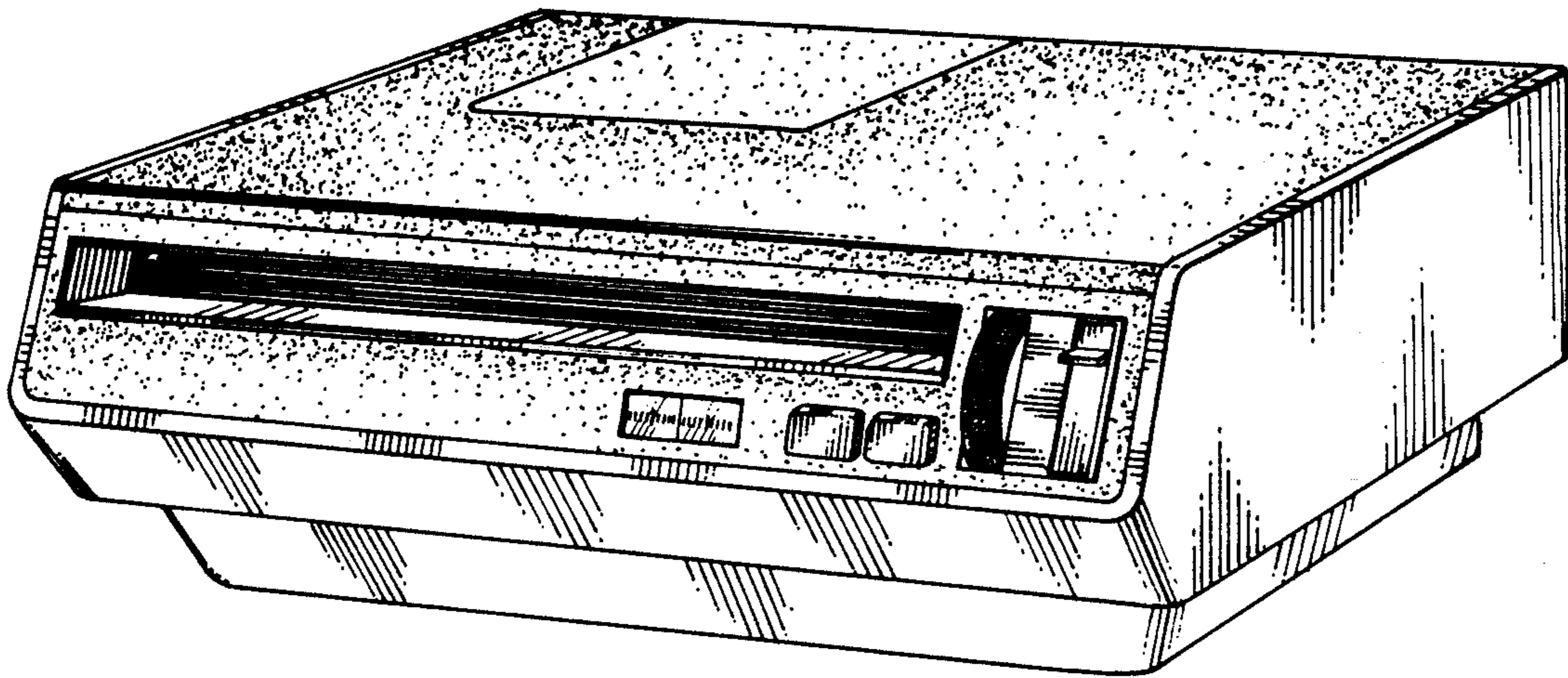


Fig. 2.

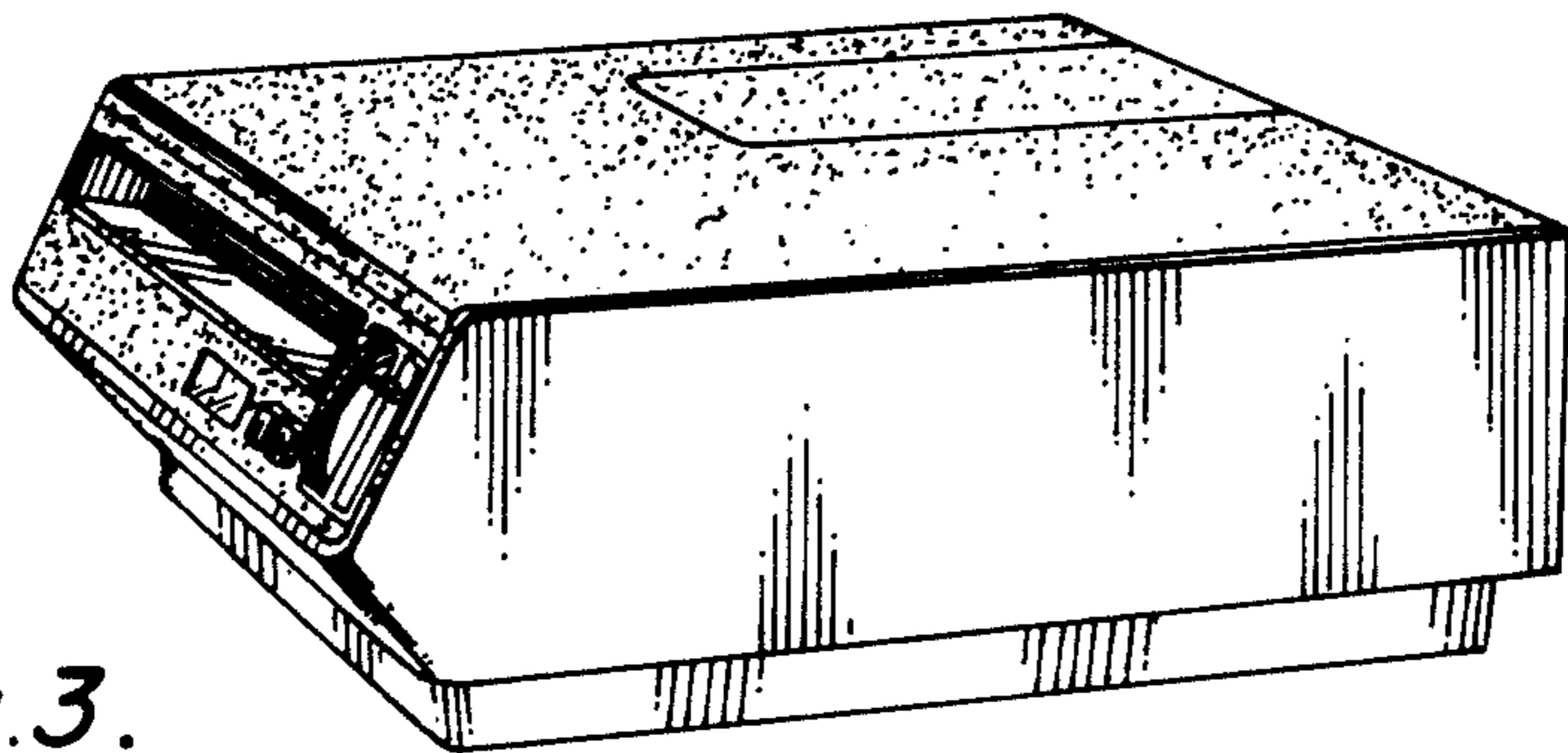


Fig. 3.

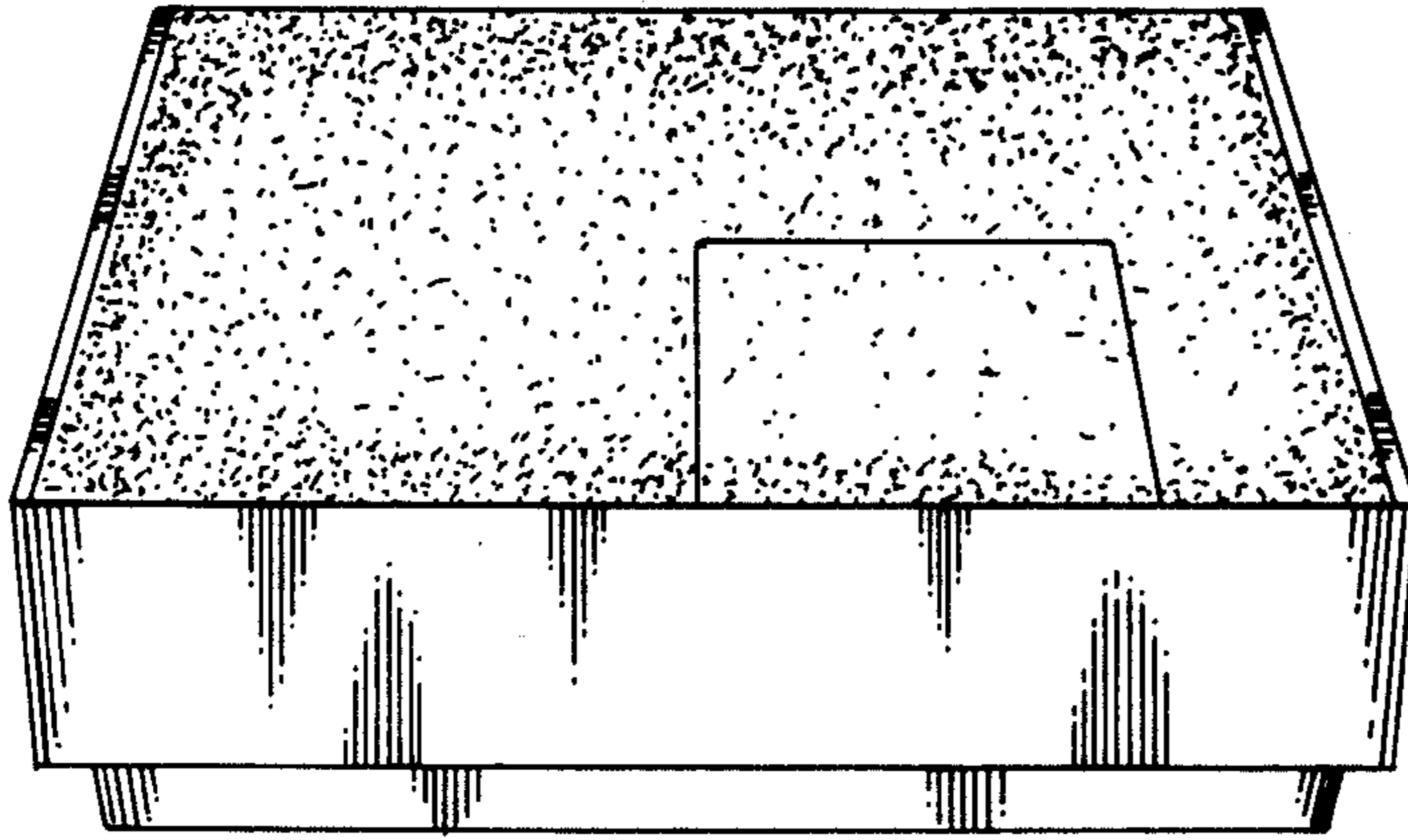


Fig. 4

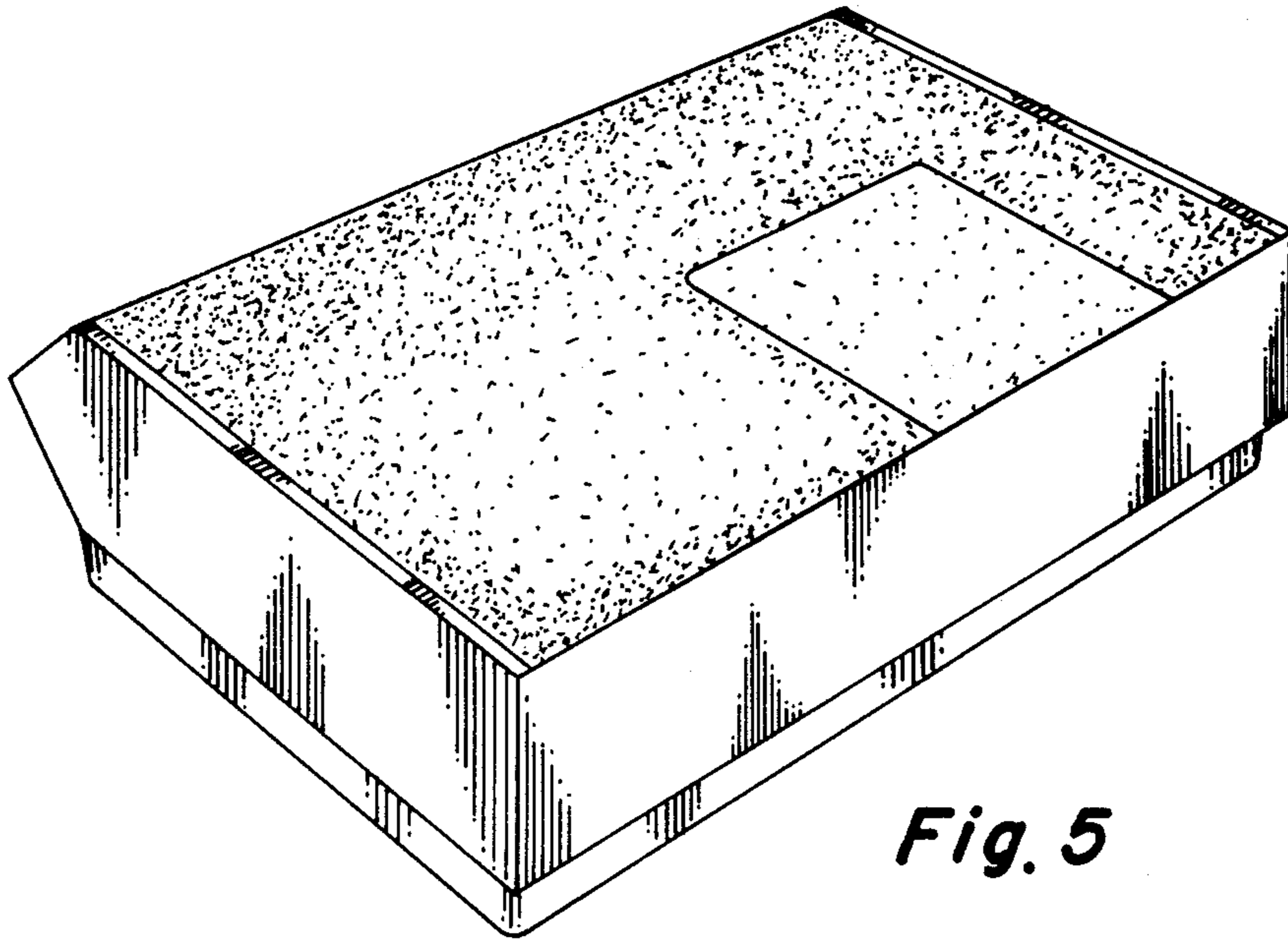


Fig. 5