

[54] COMBINED FLOWER POT AND SAUCER OR THE LIKE

[75] Inventor: Stafford D. Collie, Severna Park, Md.

[73] Assignee: Phillips Petroleum Company, Bartlesville, Okla.

[**] Term: 14 Years

[21] Appl. No.: 57,062

[22] Filed: Jul. 12, 1979

[51] Int. Cl. D11-02

[52] U.S. Cl. D11/152

[58] Field of Search D11/143-149, D11/151-156, 164; 47/66-69, 71, 72, 79-83, 85-87; 206/423; D7/6, 11, 13-15, 19, 22, 23, 28, 33

[56] References Cited

U.S. PATENT DOCUMENTS

D. 228,780	10/1973	Pascucci	D11/154
D. 233,058	10/1974	Buften	D11/152
D. 239,297	3/1976	St. Amand	D11/146
D. 242,161	11/1976	Dziewulki	D11/152
3,962,824	6/1976	Poston	D11/146

Primary Examiner—Wallace R. Burke

Assistant Examiner—B. J. Bullock

[57] CLAIM

The ornamental design for a combined flower pot and saucer or the like, as shown and described.

DESCRIPTION

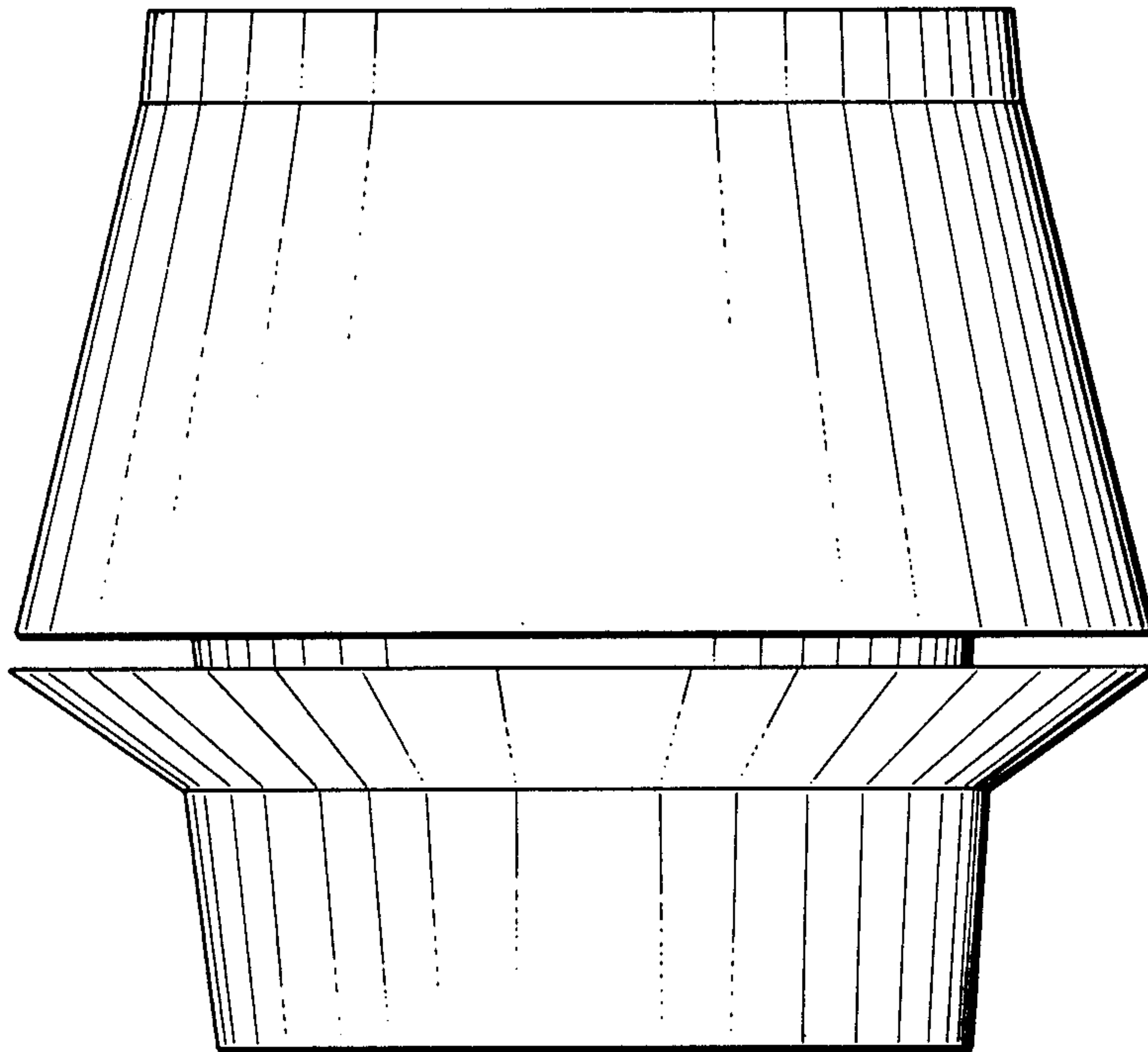
FIG. 1 is a reduced perspective view of a combined flower pot and saucer or the like showing my new design;

FIG. 2 is a side elevational view thereof;

FIG. 3 is a top plan view thereof;

FIG. 4 is a bottom plan view thereof;

FIG. 5 is a sectional view taken in the direction of the arrows on line 5-5 of FIG. 3.



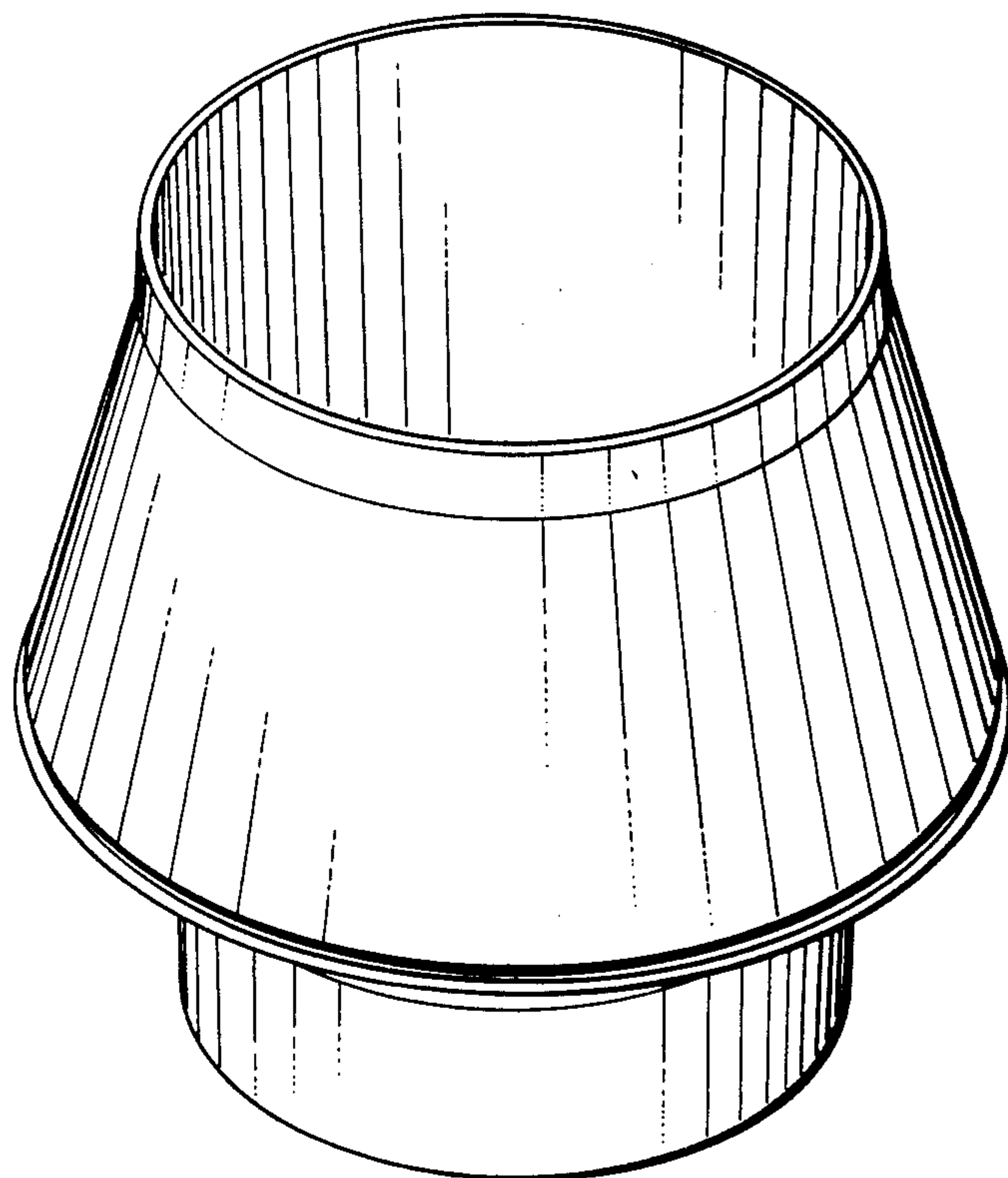


FIG. 1

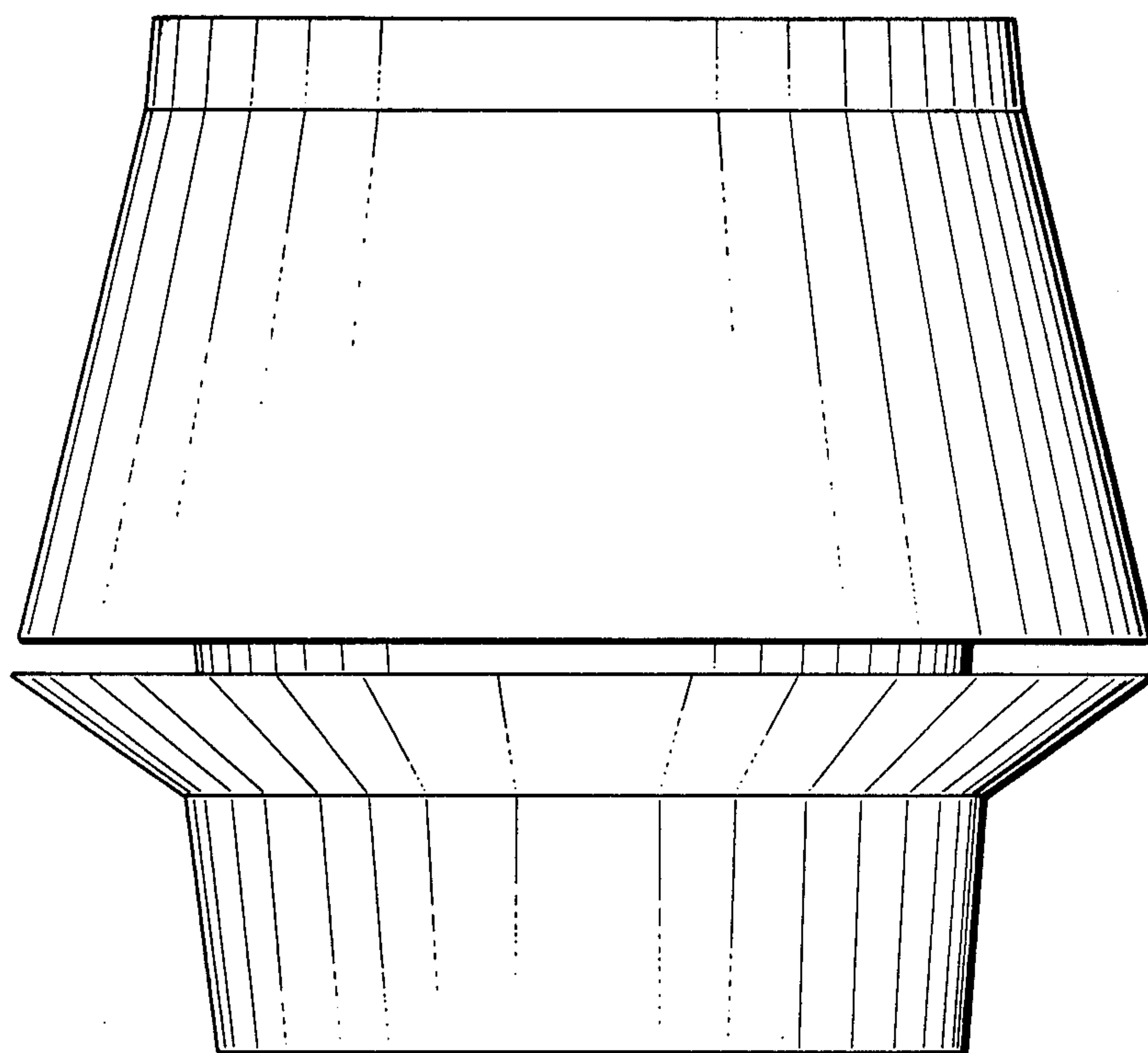


FIG. 2

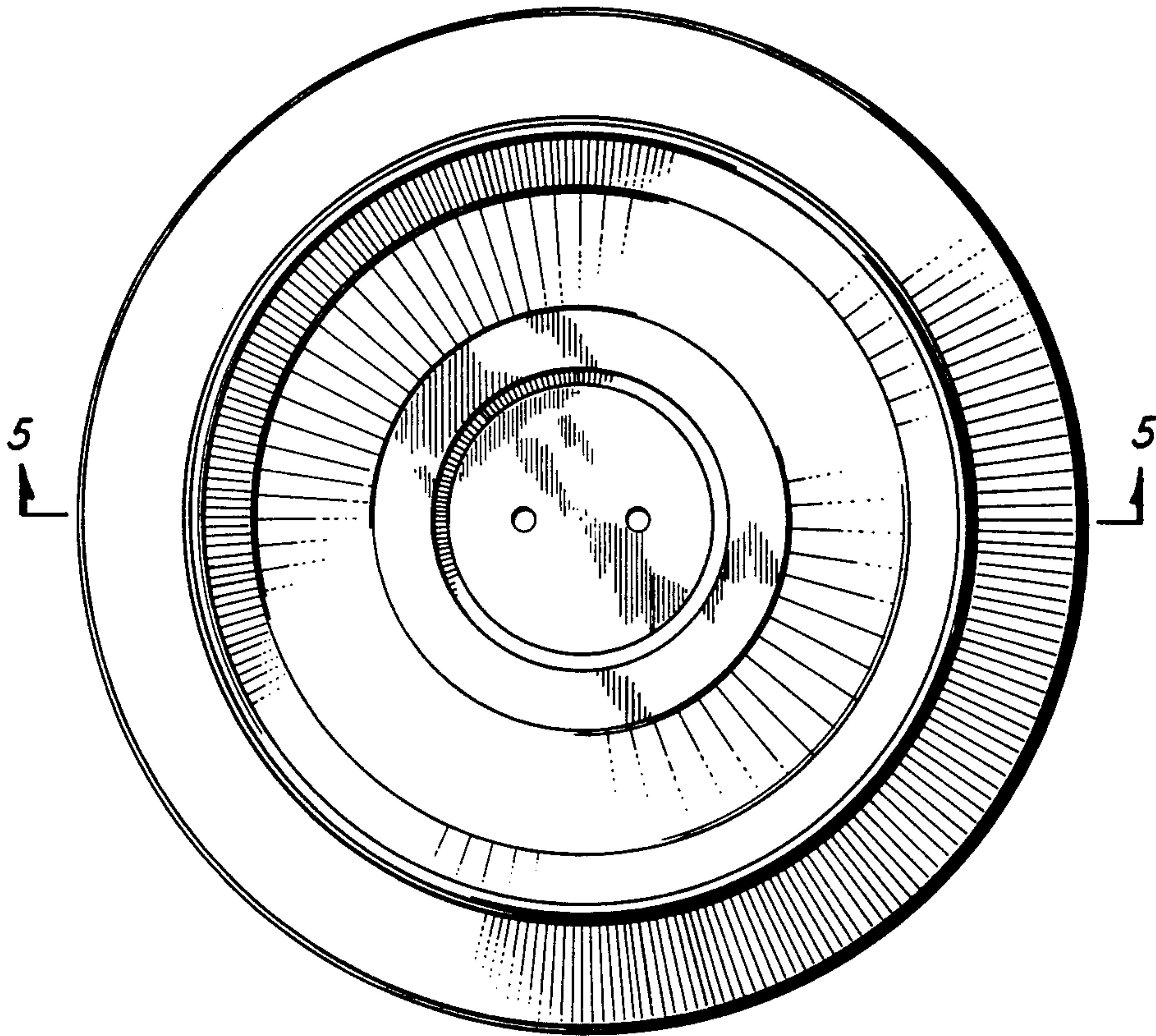


FIG. 3

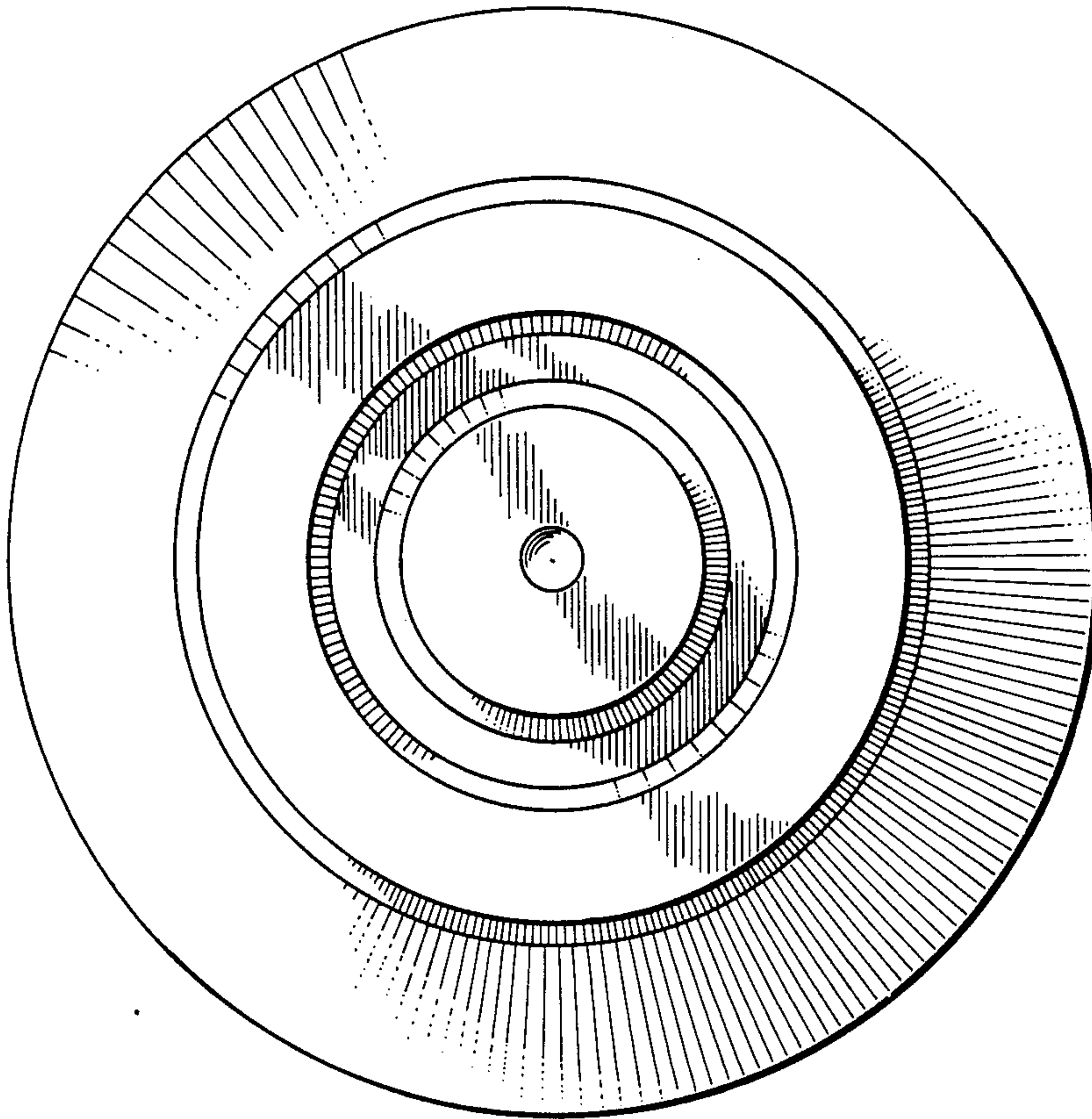


FIG. 4

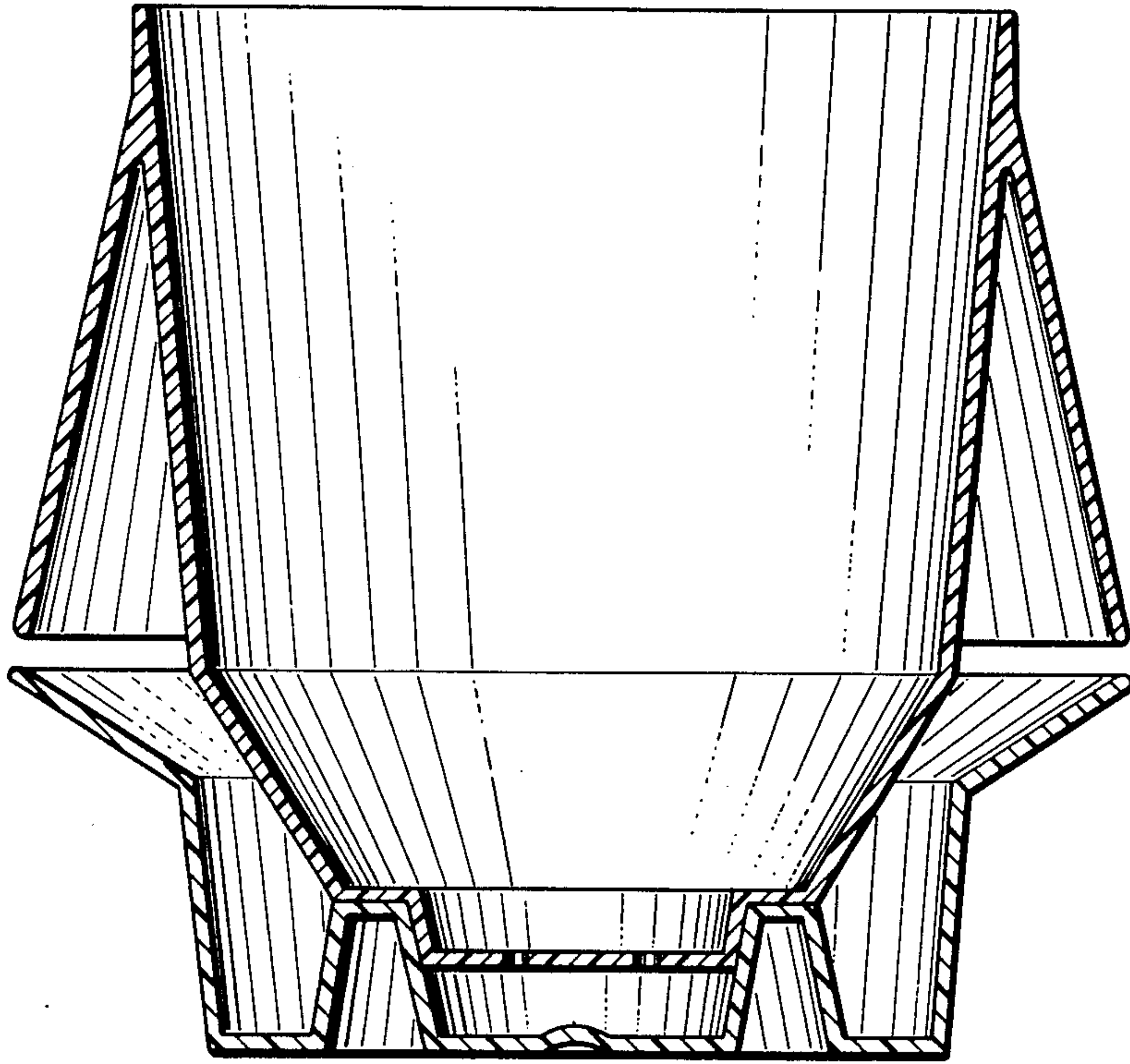


FIG. 5