

[54] DIETARY SCALE

[75] Inventor: Dana W. Mox, Elk Grove Village, Ill.

[73] Assignee: Hanson Limited, Sligo, Ireland

[**] Term: 14 Years

[21] Appl. No.: 916,806

[22] Filed: Jun. 19, 1978

[30] Foreign Application Priority Data

Mar. 8, 1978 [GB] United Kingdom 982666/78

[51] Int. Cl. D10-04

[52] U.S. Cl. D10/91

[58] Field of Search D10/87, 88, 89, 90, D10/91, 92, 93, 94; 177/238, 240, 243

[56] References Cited

U.S. PATENT DOCUMENTS

D. 201,386 6/1965 Mox D10/91
D. 233,657 11/1974 Zanuso D10/89

D. 245,968 10/1977 Mox D10/91
D. 245,969 10/1977 Mox D10/91
1,064,971 6/1913 Kent 177/243 X
3,228,488 1/1966 Coppola D10/91

OTHER PUBLICATIONS

Hardware Age-Dec. 10, 1964-p. (back cover)-Scale at center.

Form-Apr. 1978-p. 94-Scale at top-left.

Office Products-Aug. 73-p. 44-Scale at bottom-left.

Primary Examiner-Nelson C. Holtje

Attorney, Agent, or Firm-Ernest A. Wegner

[57] CLAIM

The ornamental design for dietary scale, as shown and described.

DESCRIPTION

FIG. 1 is a top and left front perspective view of a dietary scale showing my new design;

FIG. 2 is a bottom and right rear perspective view thereof;

FIG. 3 is a right side elevational view thereof.

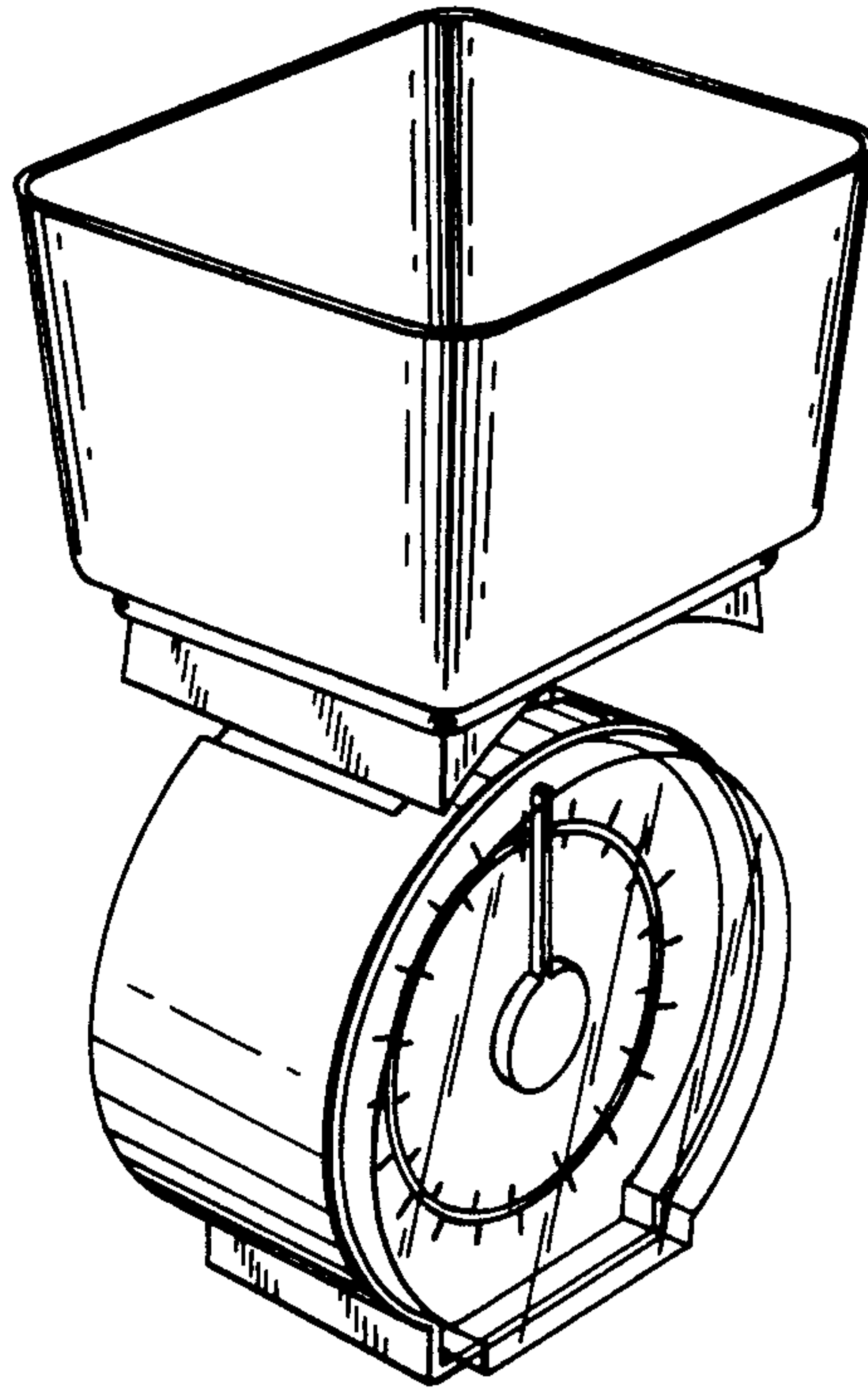


Fig. 1

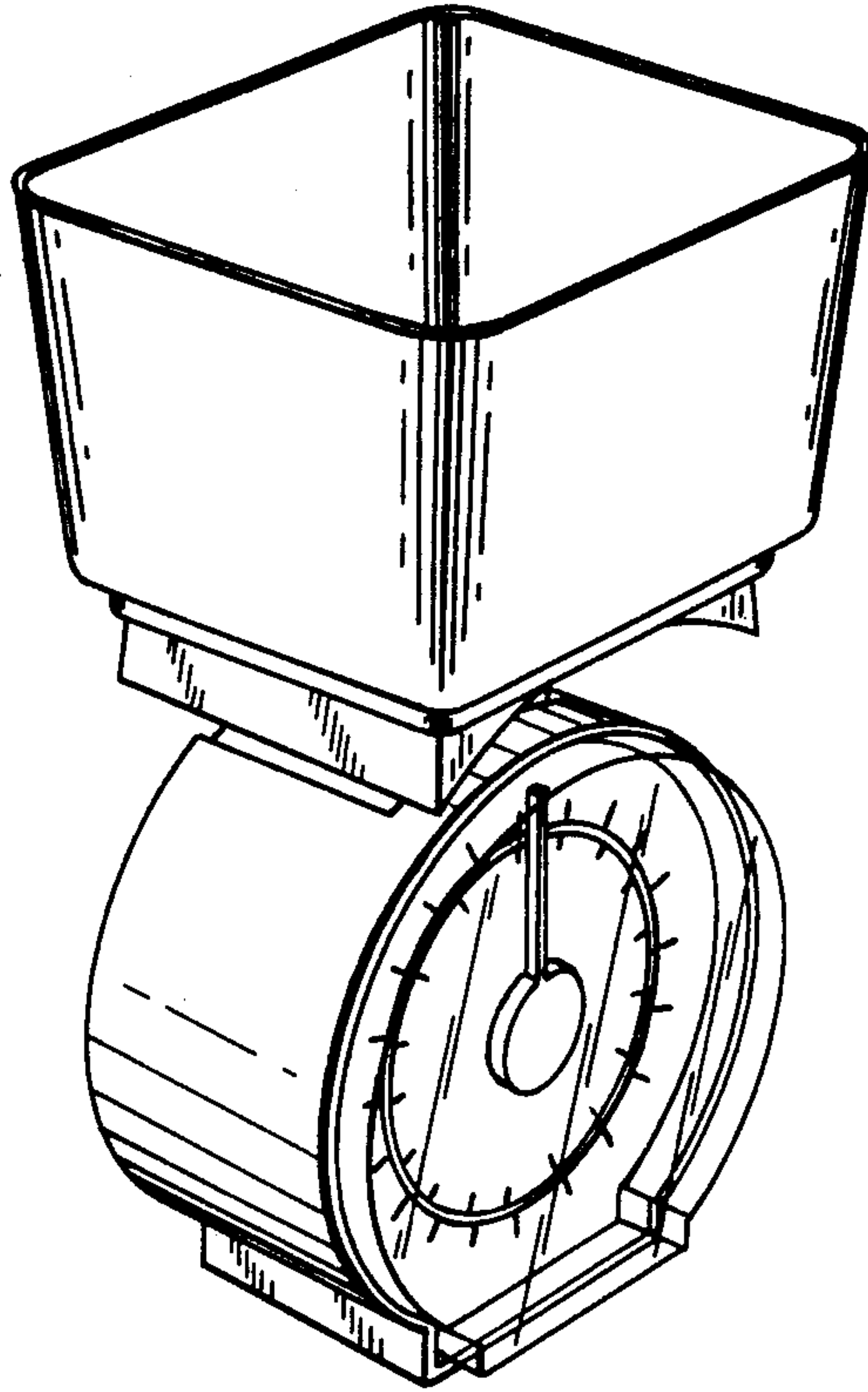


Fig. 2

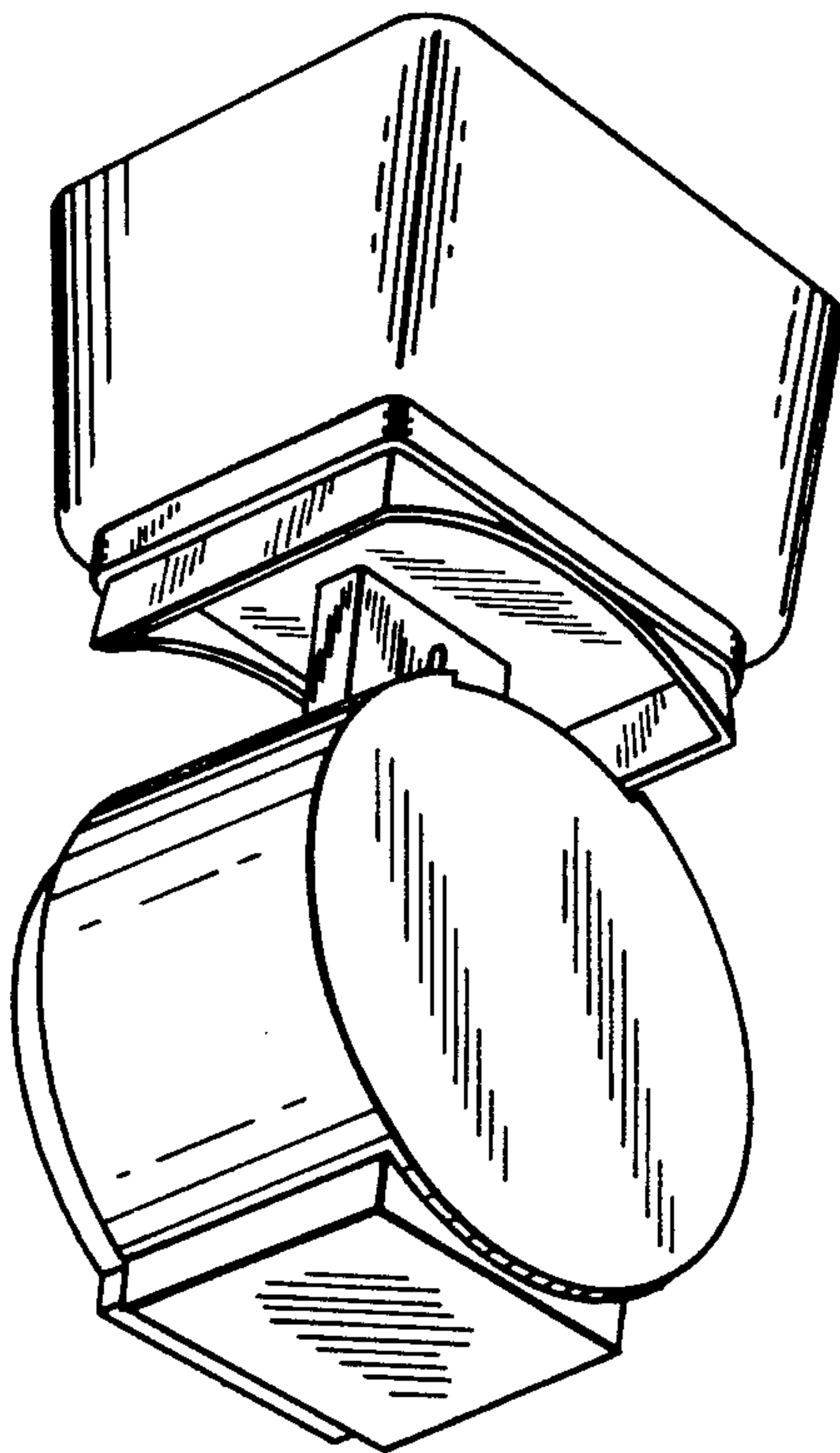


Fig. 3

