

[54] VOLTAGE METER

[76] Inventor: William K. Hayward, 27 Guildford Rd., Farnborough, Hampshire GU14 6PS, England

[**] Term: 14 Years

[21] Appl. No.: 850,427

[22] Filed: Nov. 10, 1977

[51] Int. Cl. D10-04

[52] U.S. Cl. D10/78

[58] Field of Search D10/75, 78, 79, 46, D10/103; 73/189, 228; 324/15, 16, 16 T, 17, 18, 122, 109, 396, 397, 399

[56] References Cited

U.S. PATENT DOCUMENTS

D. 242,233 11/1976 Serola D10/87

1,229,699	6/1917	Armor	324/122
2,100,837	11/1937	Coffey	324/18
2,661,456	12/1953	Bosch	324/109
2,805,565	10/1957	Zuti	324/122
3,828,246	8/1974	Maynard	324/18
3,877,303	4/1975	Beckman	73/228
4,065,966	11/1978	Meeks	73/228

Primary Examiner—Nelson C. Holtje
Attorney, Agent, or Firm—Sidney G. Faber

[57] CLAIM

The ornamental design for a voltage meter, substantially as shown.

DESCRIPTION

FIG. 1 is a top and right front perspective view of a voltage meter showing my new design; FIG. 2 is a rear elevational view thereof; FIG. 3 is a right side elevational view of FIG. 2; and FIG. 4 is a bottom plan view thereof.

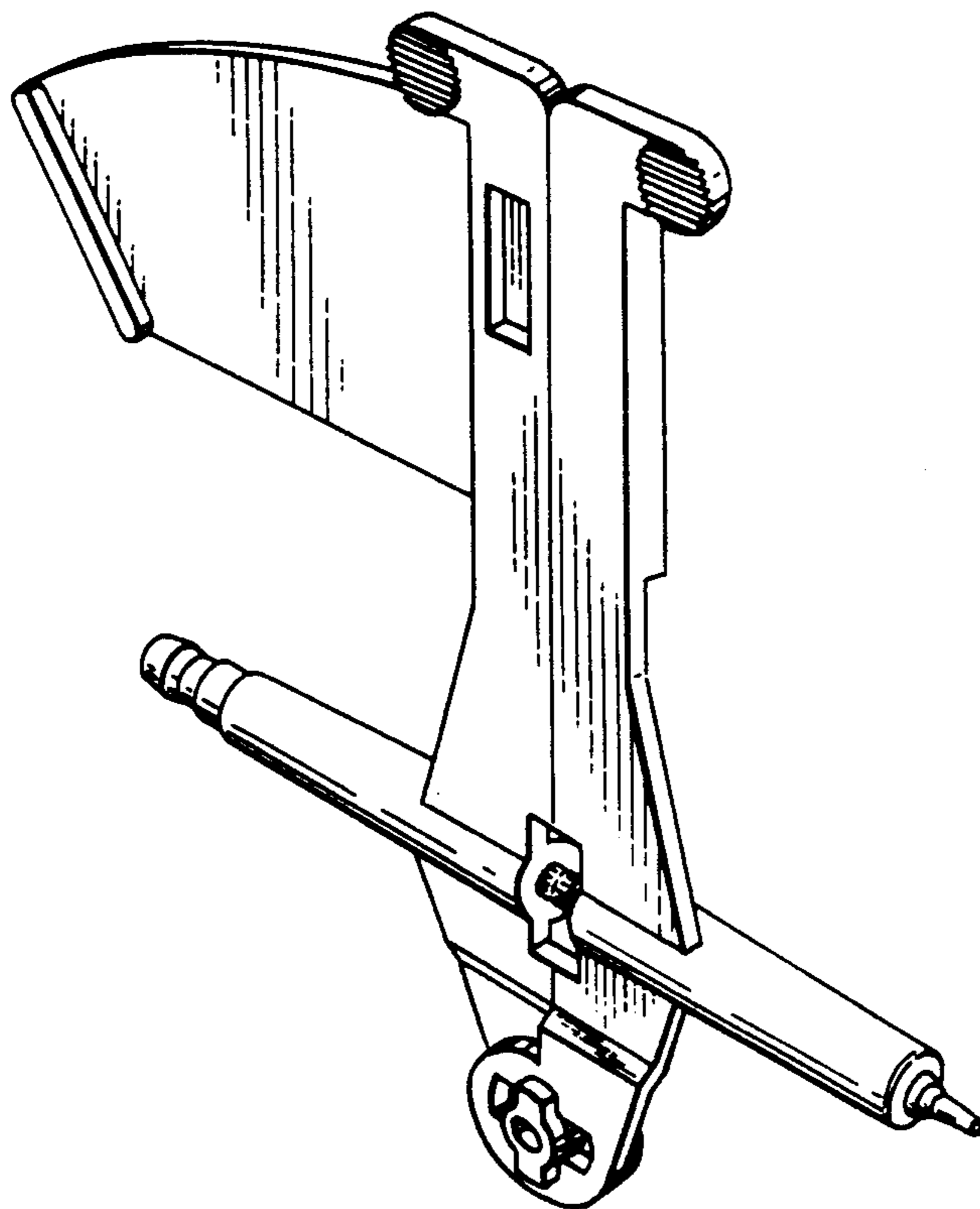


Fig. 1.

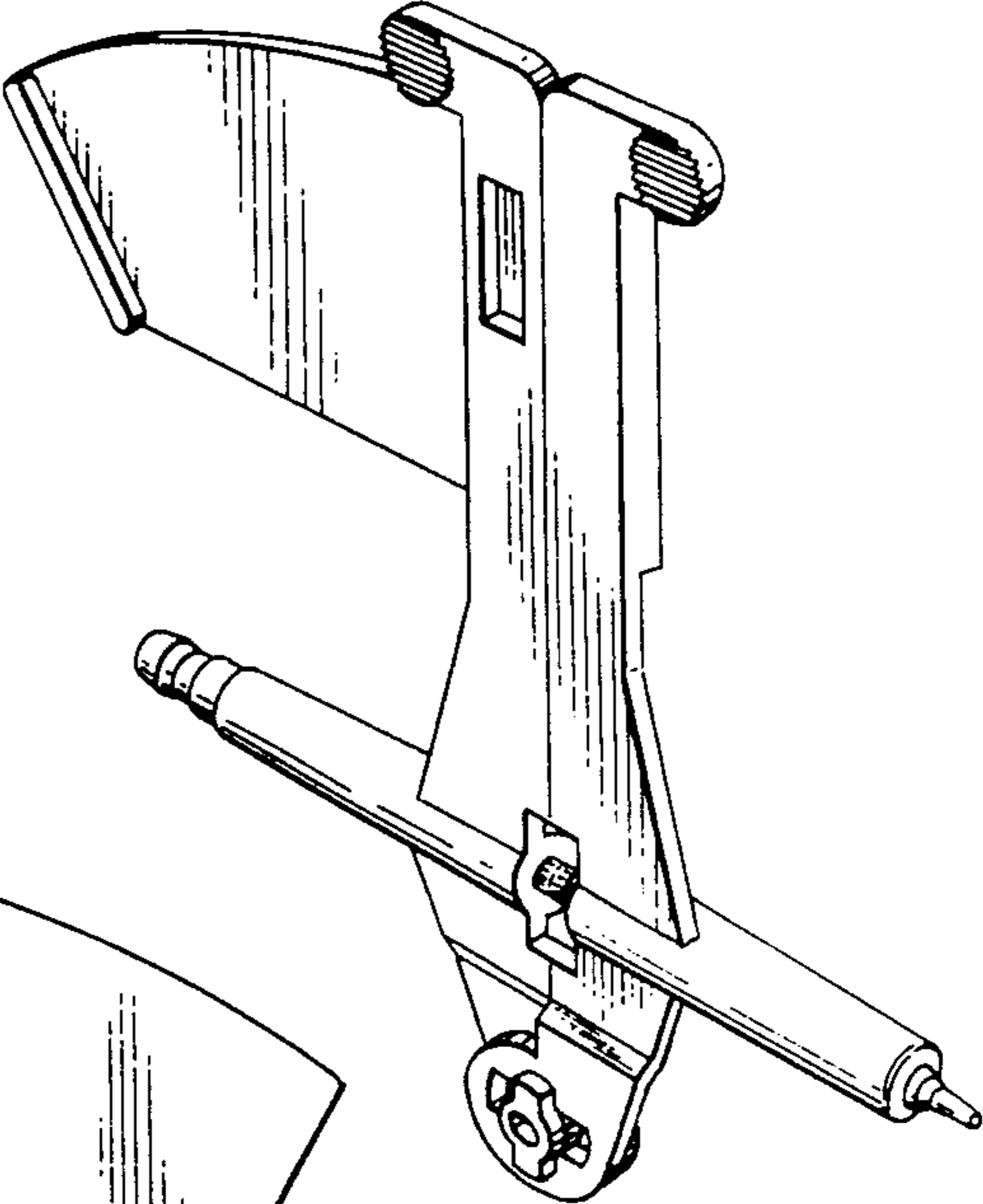


Fig. 2.

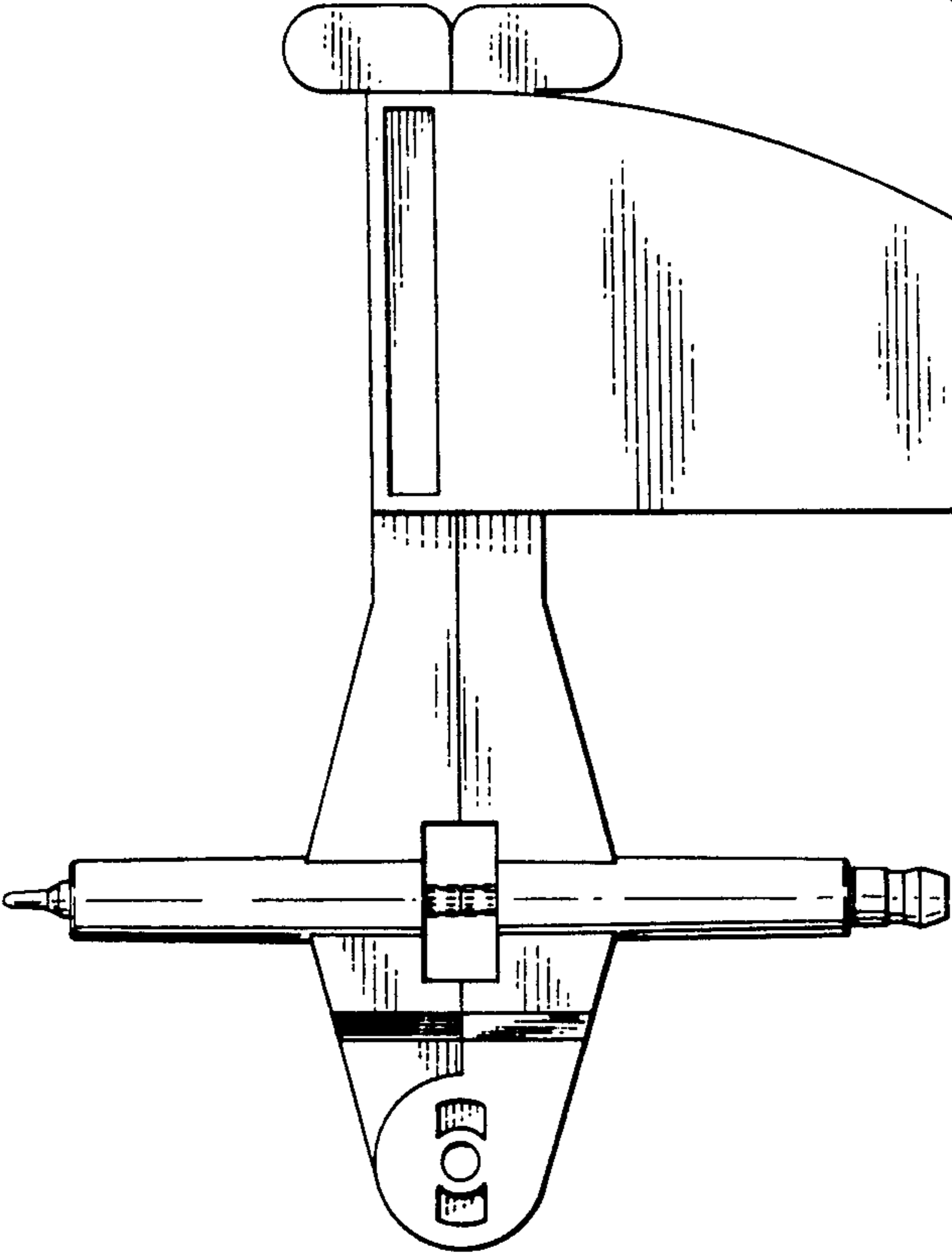


Fig. 3.

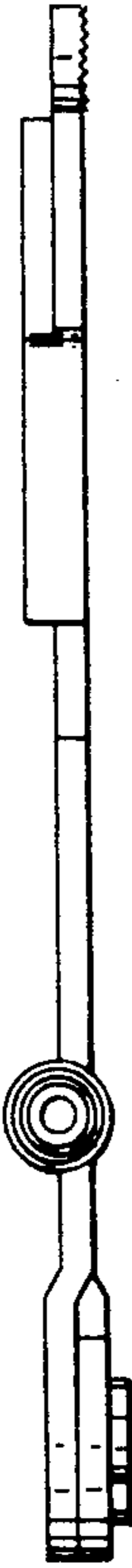


Fig. 4.

