

[54] DENSITOMETER

[75] Inventor: Helmut Schmidt, Mannheim, Fed. Rep. of Germany

[73] Assignee: Labora Mannheim GmbH für Labortechnik, Mannheim, Fed. Rep. of Germany

[**] Term: 14 Years

[21] Appl. No.: 905,488

[22] Filed: May 12, 1978

[30] Foreign Application Priority Data

Nov. 14, 1977 [DE] Fed. Rep. of Germany 1134

[51] Int. Cl. D10-04

[52] U.S. Cl. D10/46; D10/81

[58] Field of Search D10/46, 75, 81; D24/1.1, 8, 17; 356/443, 444

[56]

References Cited

U.S. PATENT DOCUMENTS

D. 136,911	12/1943	Fullerton	D10/83
D. 230,355	2/1974	vanden Broek	D10/46
D. 251,775	5/1979	Schmidt	D10/81
3,375,751	4/1968	Engborg	356/443
3,406,290	10/1968	Brueschke	356/444 X
3,712,955	1/1973	Miller	356/444 X
4,080,075	3/1978	Berg	356/443

Primary Examiner—Nelson C. Holtje
Attorney, Agent, or Firm—Arnold Sprung

[57]

CLAIM

The ornamental design for a densitometer, as shown.

DESCRIPTION

FIG. 1 is a left front perspective view of a densitometer showing my new design;
FIG. 2 is a front elevational view thereof;
FIG. 3 is a top plan view thereof, the bottom being substantially plain and unornamented;
FIG. 4 is a right side elevational view thereof;
FIG. 5 is a rear elevational view thereof.

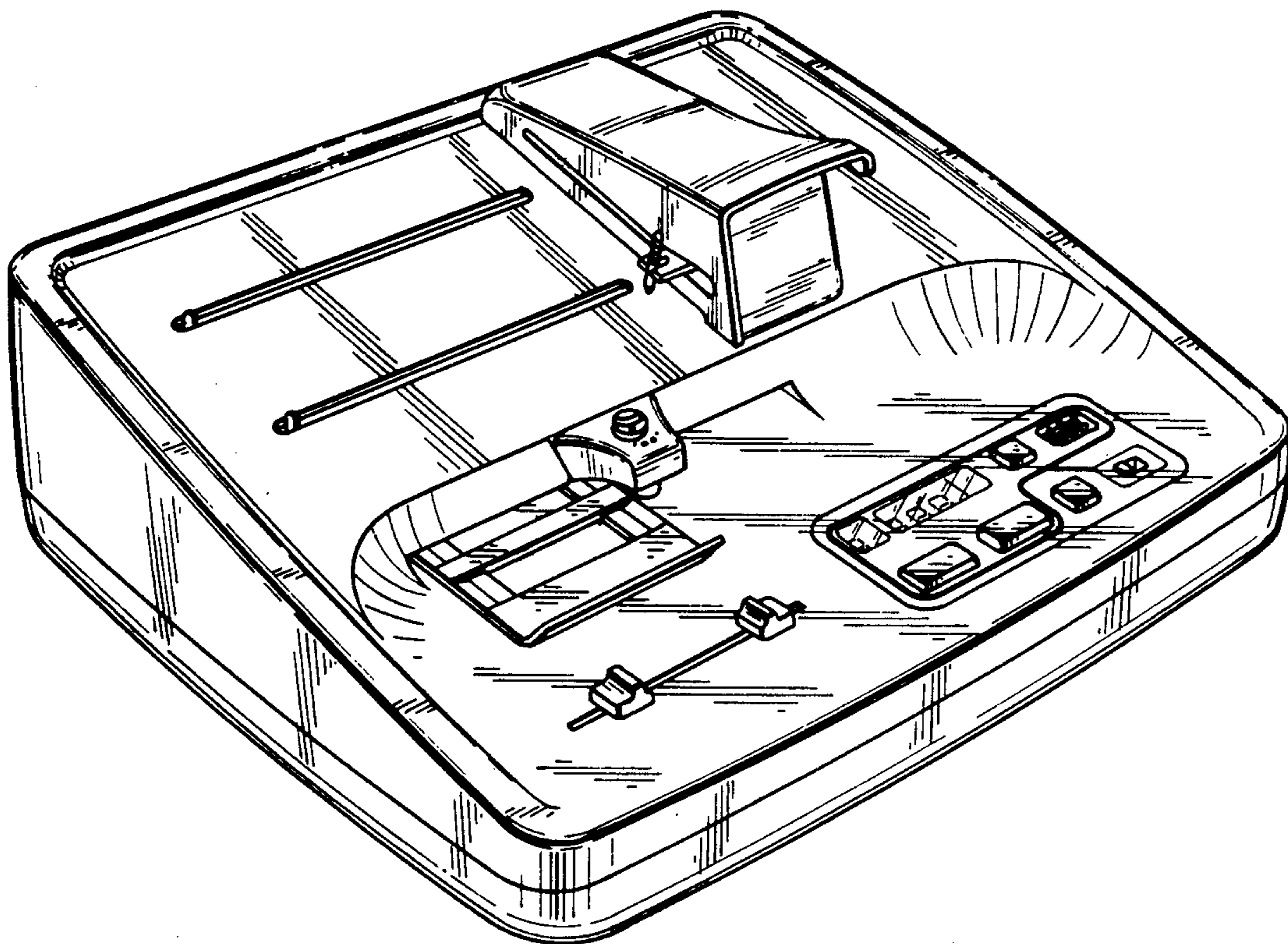


Fig. 1

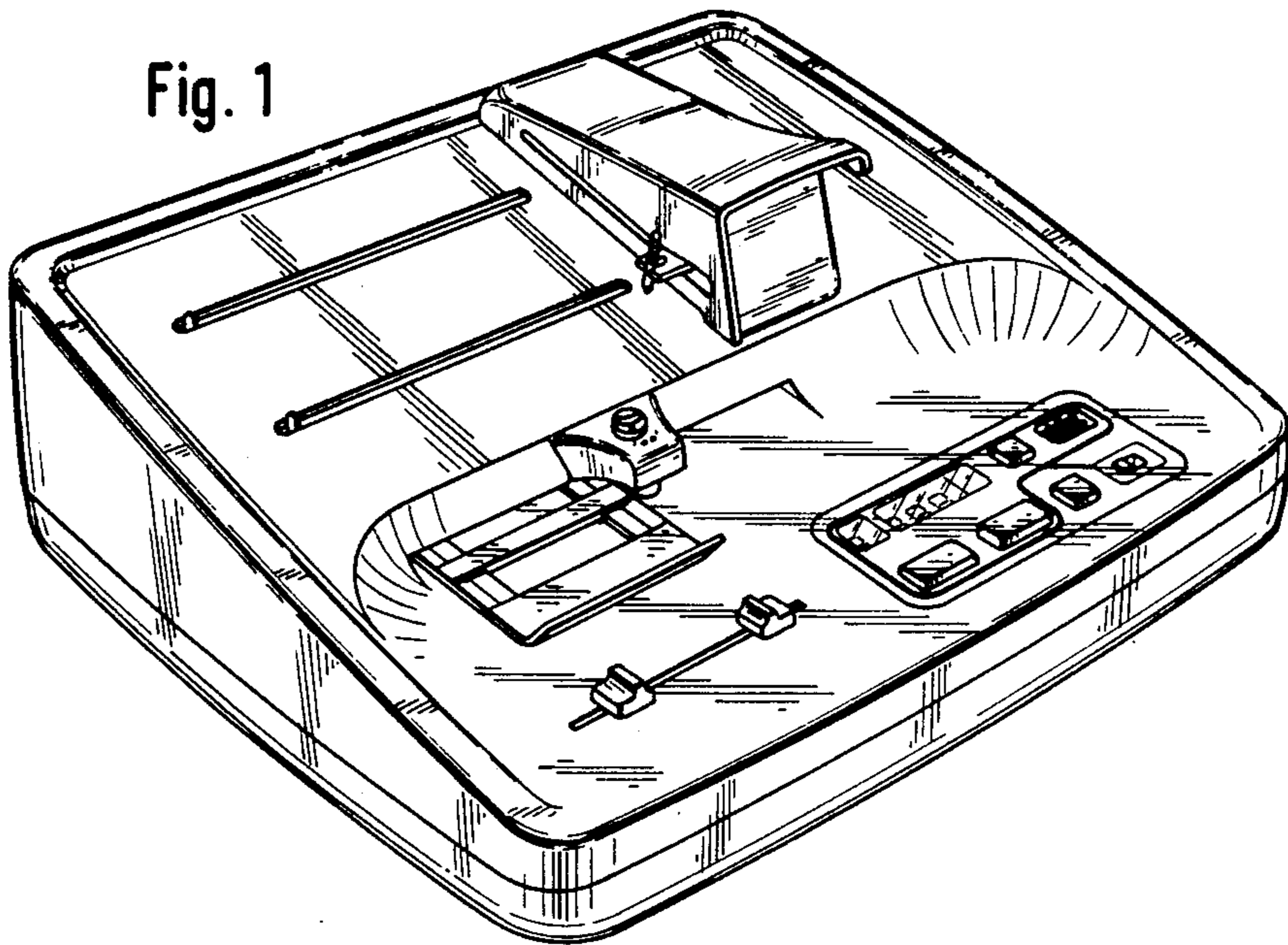


Fig. 2

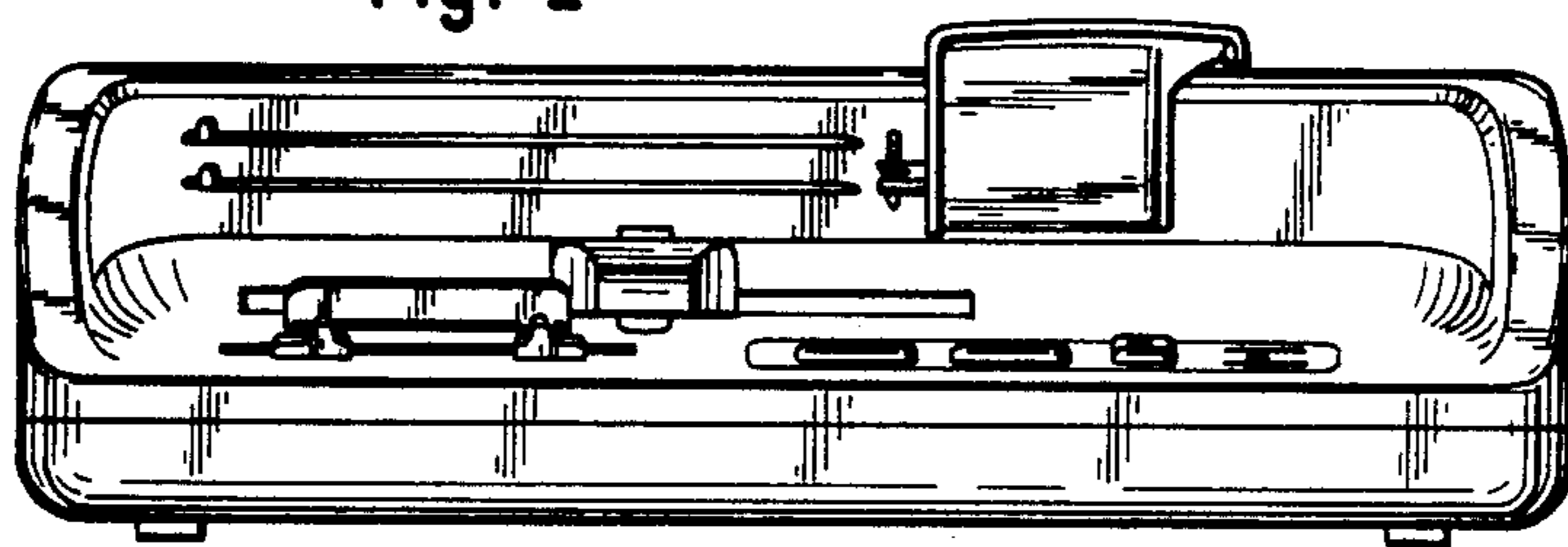


Fig. 3

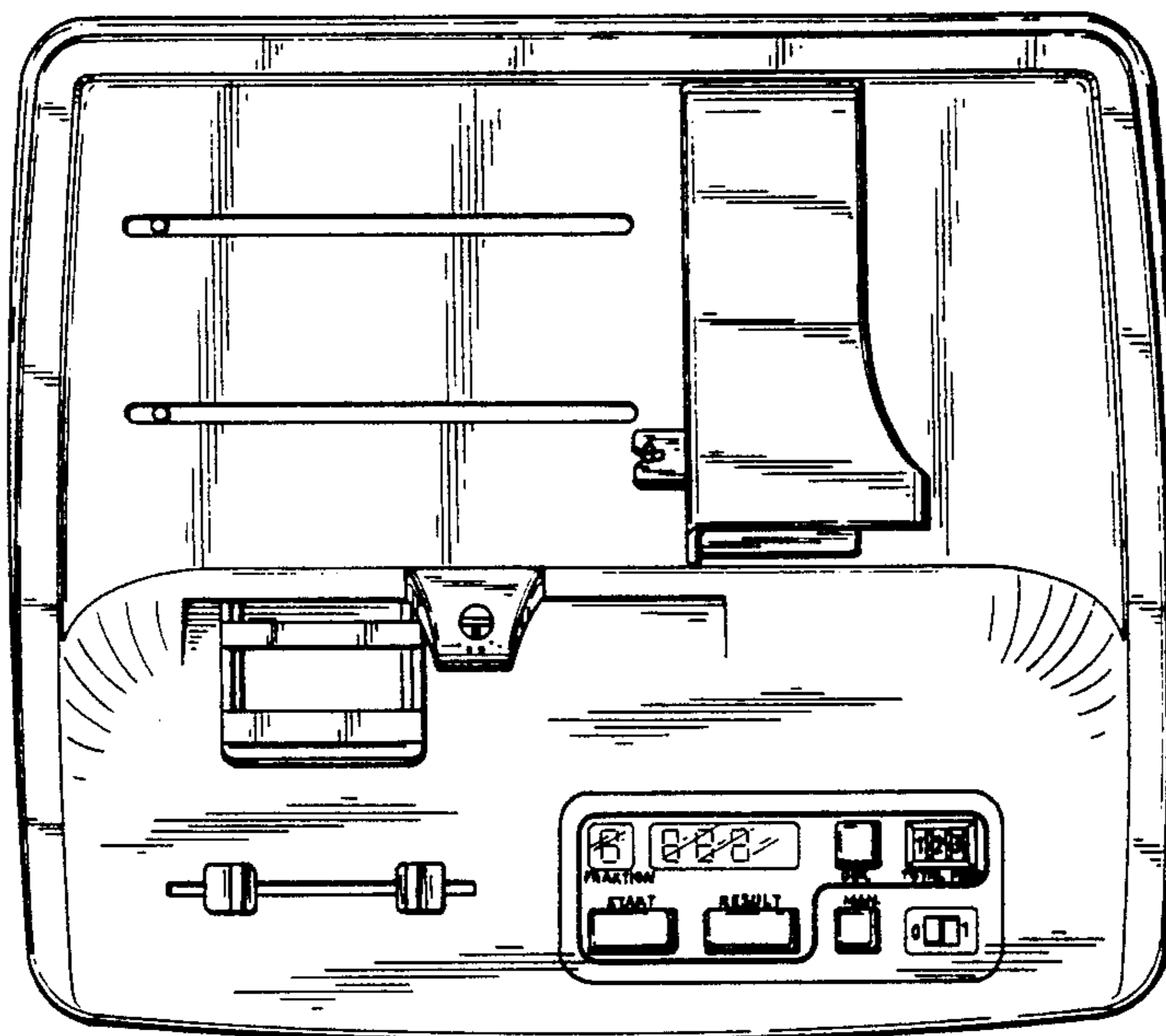


Fig. 4

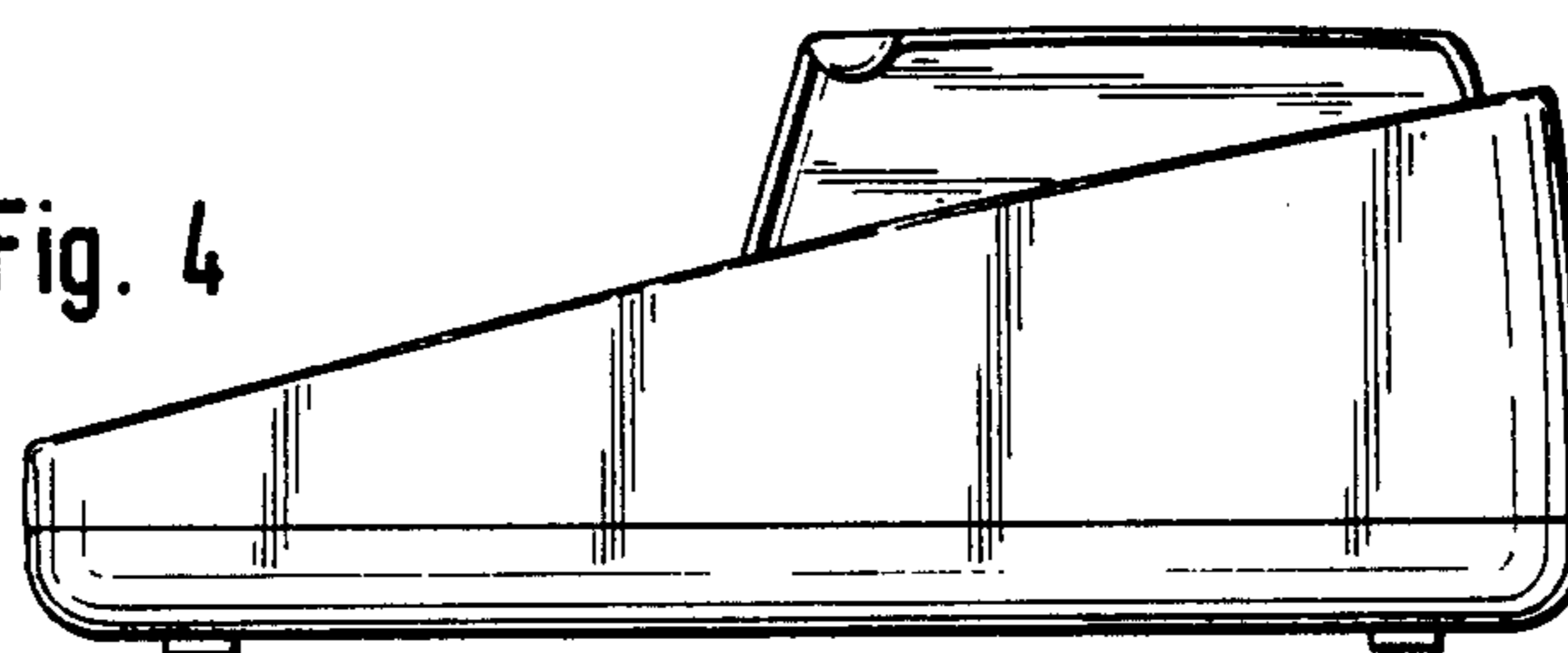


Fig. 5

