

[54] DOOR KNOCKER

2,747,538 5/1956 Morse et al. .... 116/148

[75] Inventors: Sam Kupperman, Chicago; Dennis Kupperman, Glenview, both of Ill.

Primary Examiner—Wallace R. Burke  
Assistant Examiner—B. J. Bullock

[73] Assignee: RB Toy Development Co., Skokie, Ill.

[57] CLAIM

[\*\*] Term: 14 Years

The ornamental design for a door knocker, as shown.

[21] Appl. No.: 810,605

DESCRIPTION

[22] Filed: Jun. 27, 1977

FIG. 1 is a front elevational view of a door knocker showing our new design;

[51] Int. Cl. .... D10-06

FIG. 2 is a side elevational view taken from the right of FIG. 1, the side opposite being a mere image thereof;

[52] U.S. Cl. .... D8/401

FIG. 3 is a bottom plan view thereof;

[58] Field of Search ..... D8/401; 116/148, DIG. 12

FIG. 4 is a rear elevational view thereof;

[56] References Cited

U.S. PATENT DOCUMENTS

- D. 160,671 10/1950 Stolper ..... D8/401
- D. 214,774 7/1969 Kunkel ..... D8/401

FIG. 5 is a top plan view thereof;

FIG. 6 is an enlarged sectional view taken in the direction of the arrows on line 6-6 of FIG. 1; and

FIG. 7 is an enlarged sectional view taken in the direction of the arrows on line 7-7 of FIG. 4.

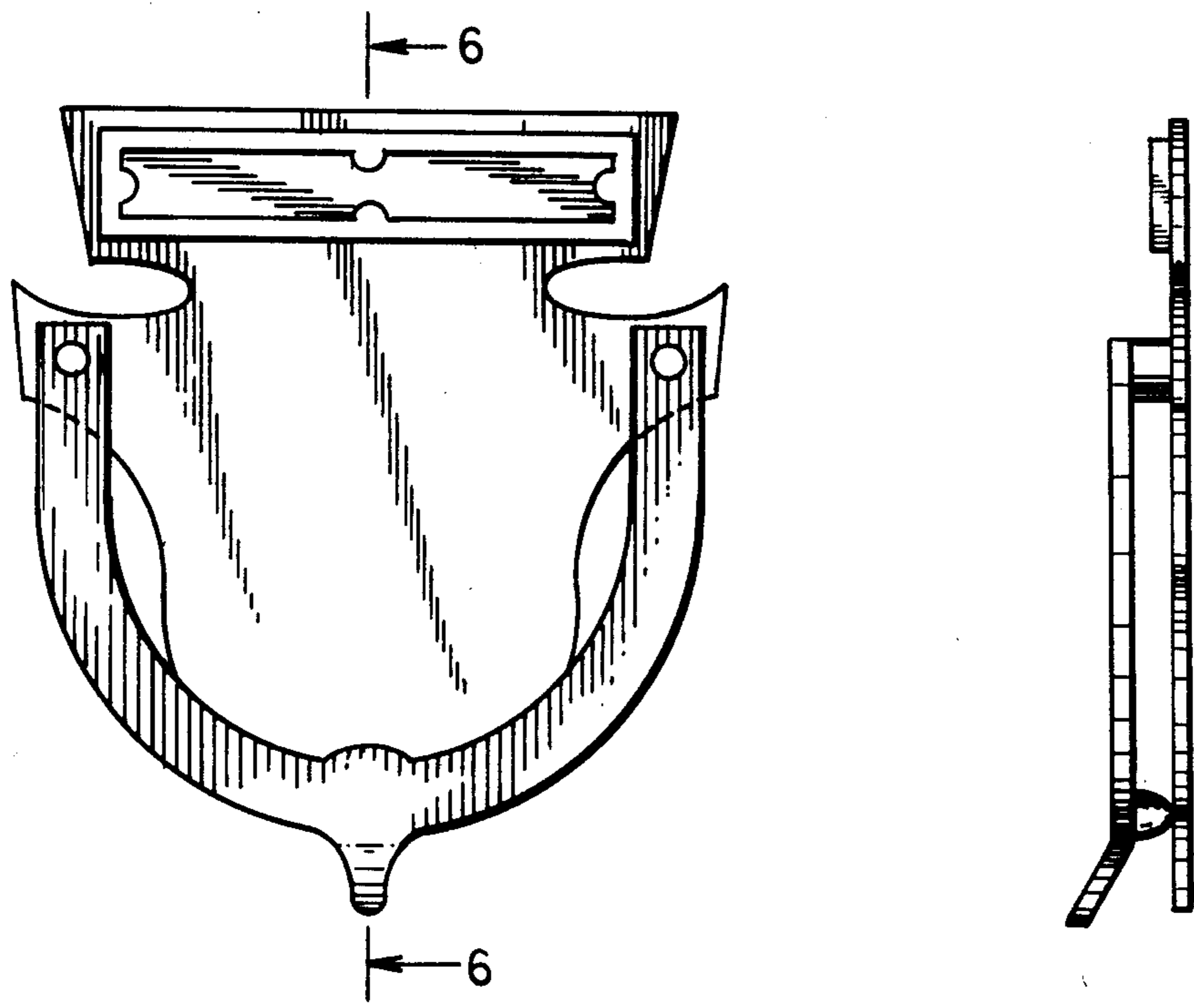


FIG. 1

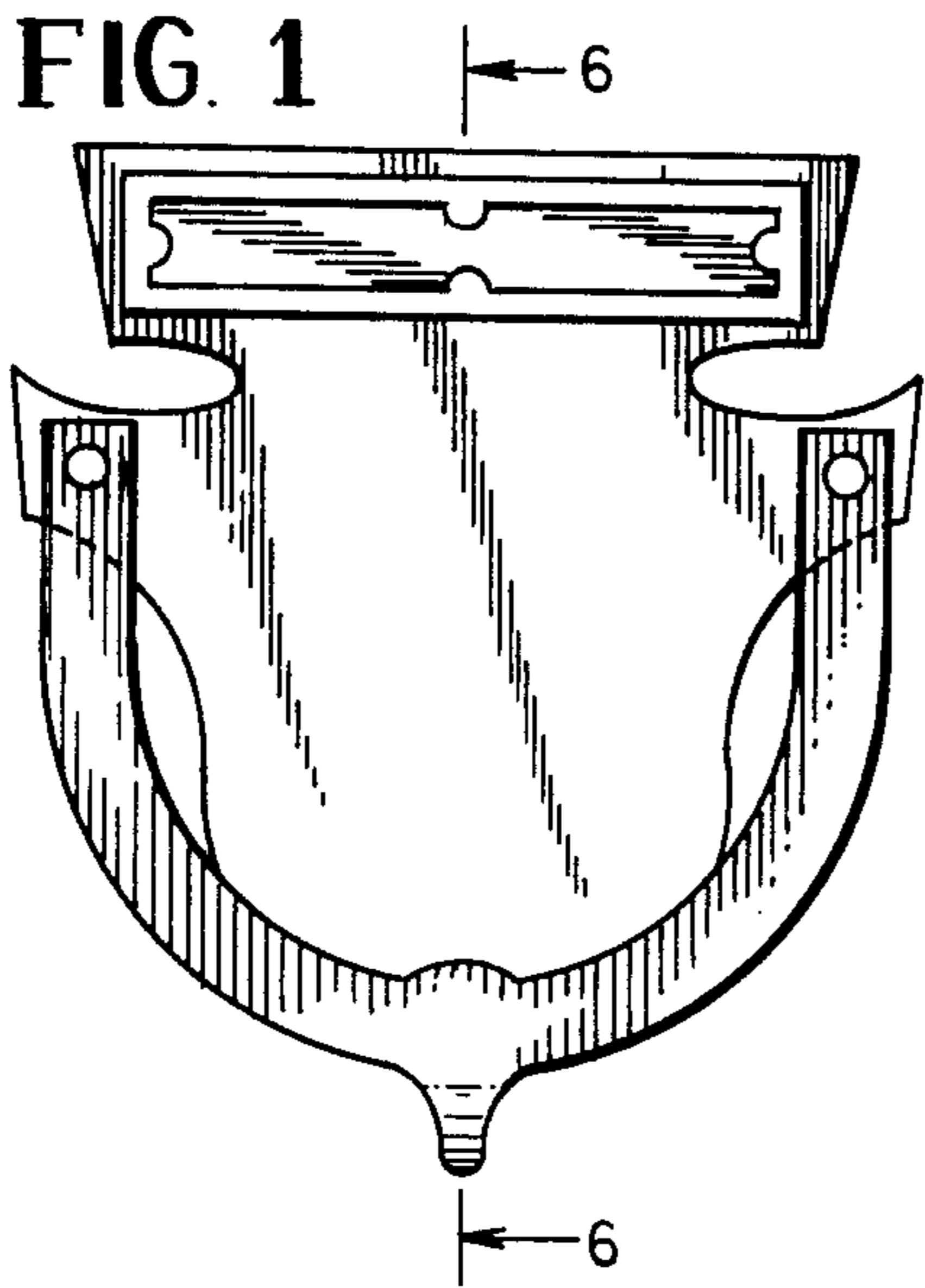


FIG. 2

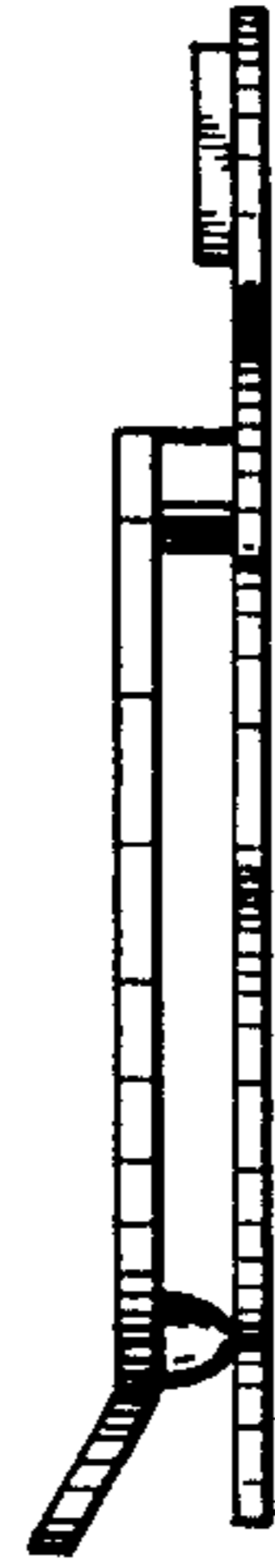


FIG. 3

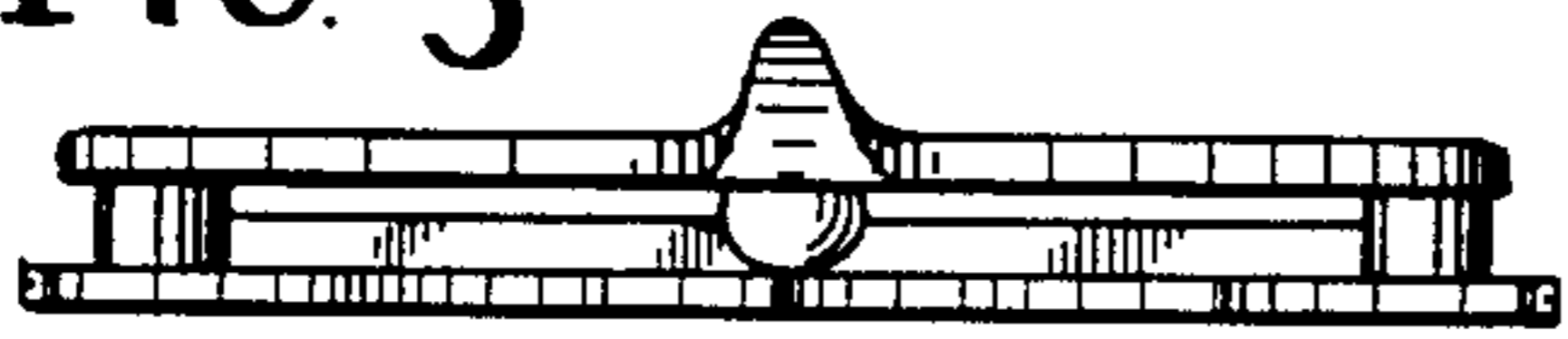


FIG. 4

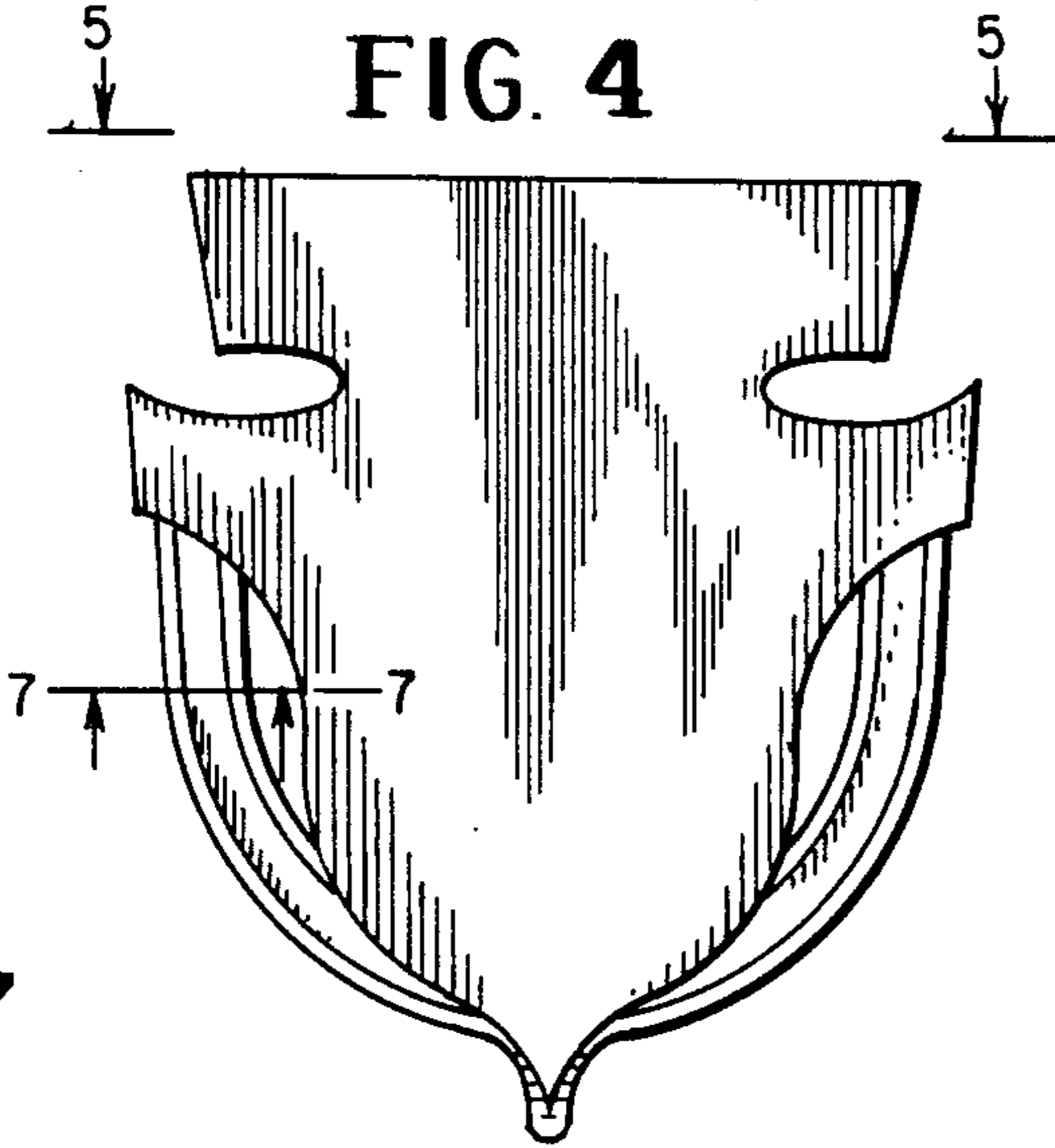


FIG. 6

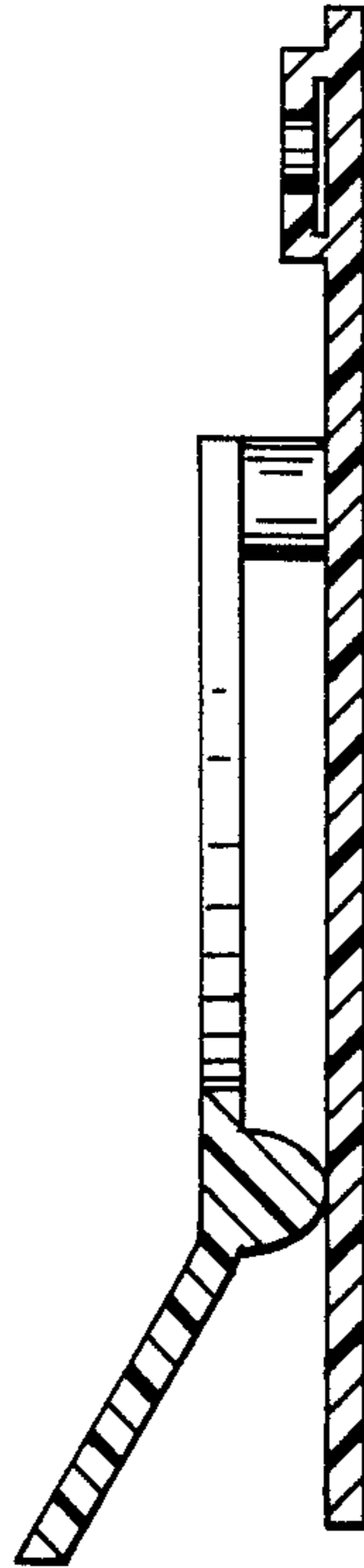


FIG. 7



FIG. 5

