

[54] SUPPORT FOR POSITIONING COMESTIBLES OVER A FIRE

[76] Inventor: Robert E. Lepper, 5809 Arapahoe, Boulder, Colo. 80303

[**] Term: 14 Years

[21] Appl. No.: 939,559

[22] Filed: Sep. 5, 1978

[51] Int. Cl. D7-02

[52] U.S. Cl. D7/107

[58] Field of Search D7/107, 108, 109, 110; D6/85, 113; 126/25 R, 25 A, 25 AA, 25 B, 25 C, 9 R, 9 A, 9 B, 29, 30; 99/419, 421, 448, 449, 450; 248/127, 156, 163, 165, 424, 425, 429, 339, 340, 341

[56] References Cited

U.S. PATENT DOCUMENTS

2,977,953	4/1961	Dowdy	D7/109 X
3,339,479	9/1967	Miller et al.	126/30 X
3,802,330	4/1974	Graziani	99/419
4,065,085	12/1977	Gellatly	126/30 X
4,120,279	10/1978	White	248/156 X

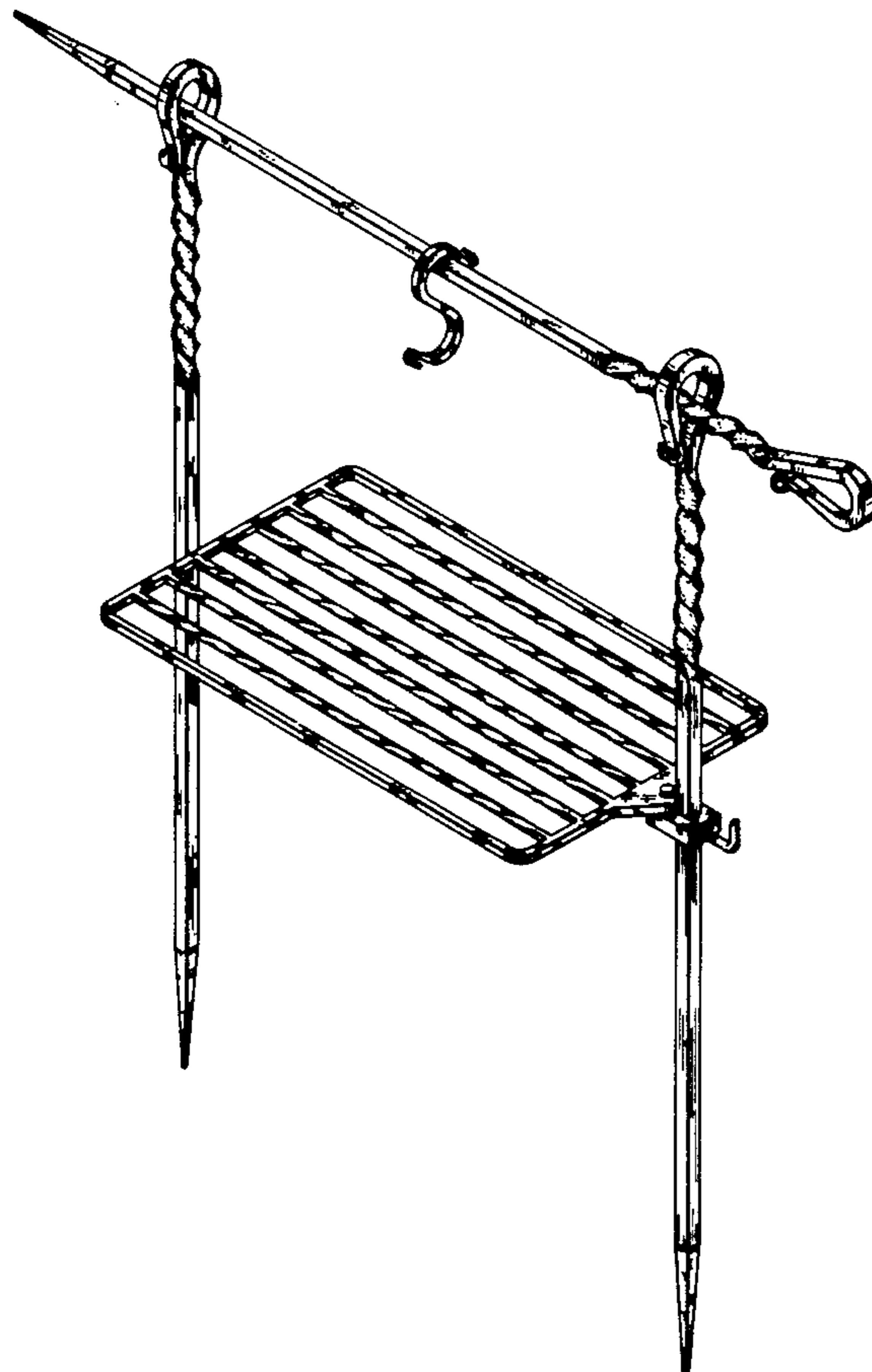
Primary Examiner—Catherine E. Kemper
Attorney, Agent, or Firm—Thomas W. O'Rourke

[57] CLAIM

The ornamental design for a support for positioning comestibles over a fire, as shown and described.

DESCRIPTION

FIG. 1 is a perspective view of a support for positioning comestibles over a fire, showing my new design; FIG. 2 is a front elevational view thereof, shown on a smaller scale; FIG. 3 is a side elevational view thereof; FIG. 4 is a top plan view thereof; FIG. 5 is a bottom plan view thereof.



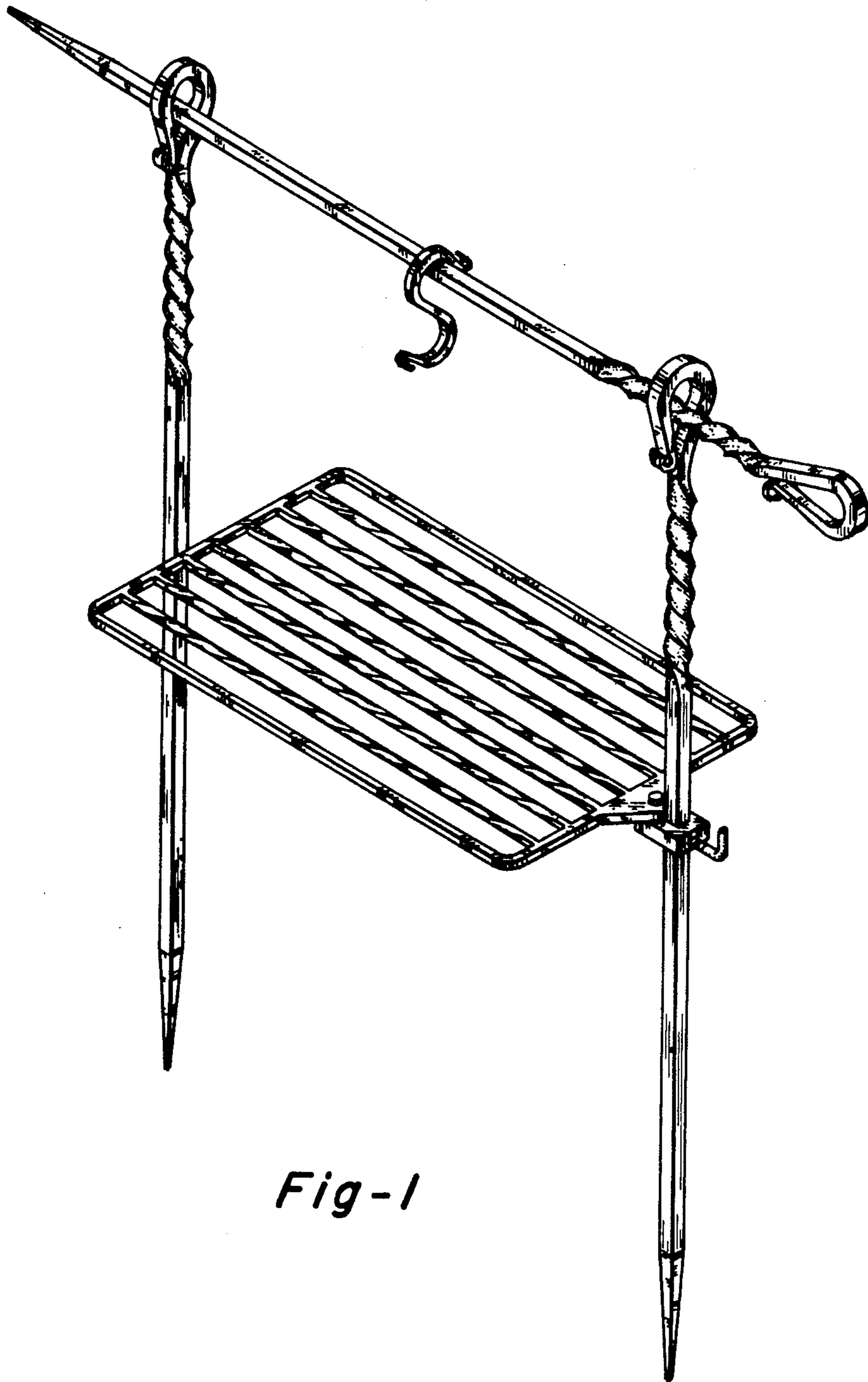


Fig-1

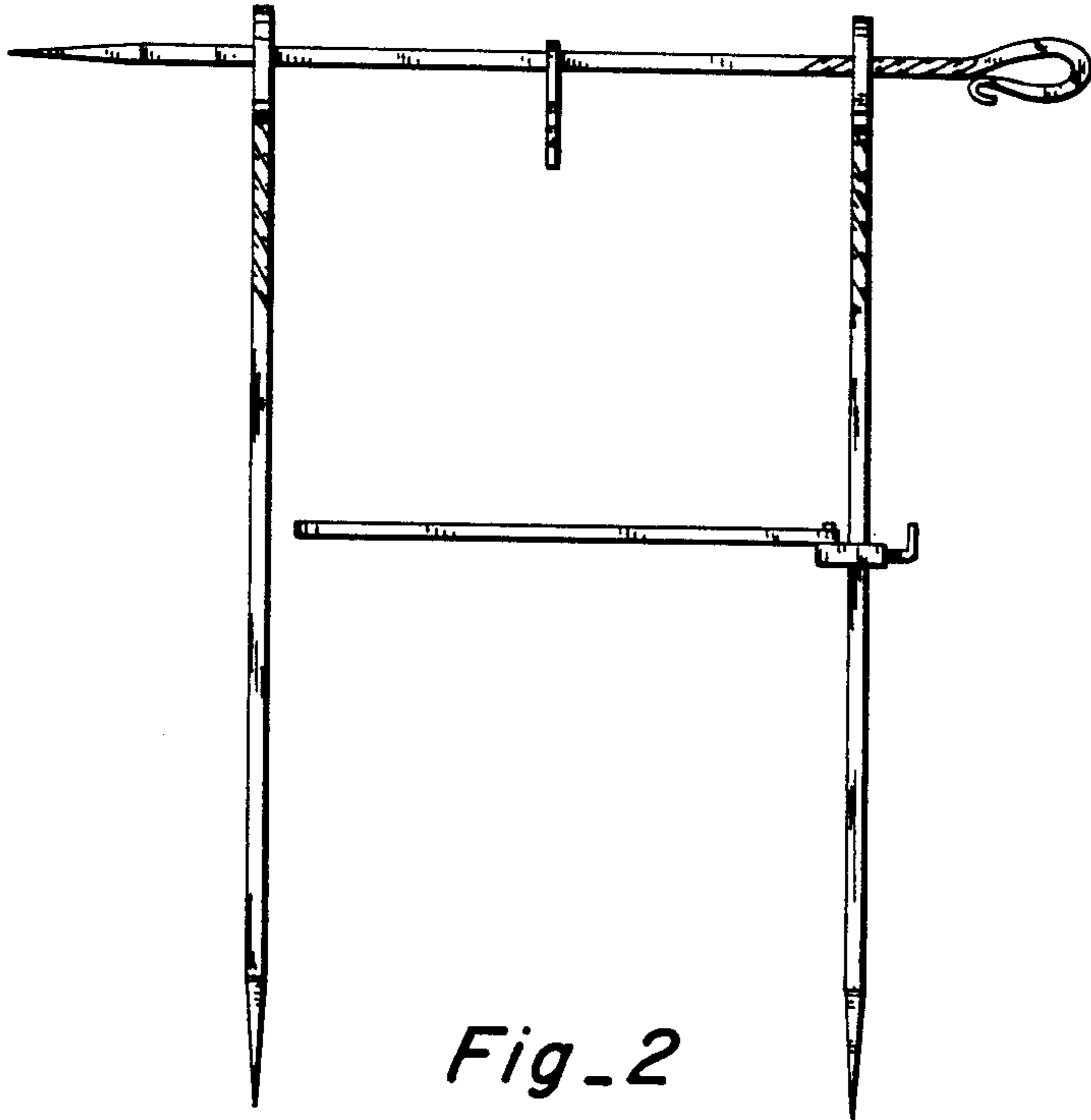


Fig. 2

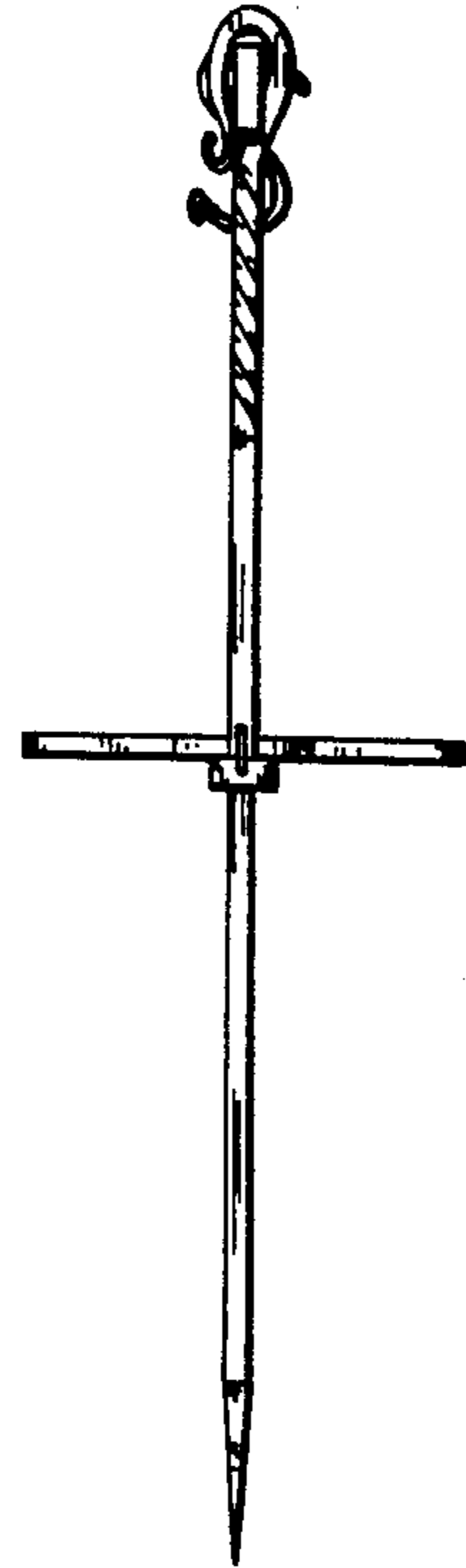


Fig. 3

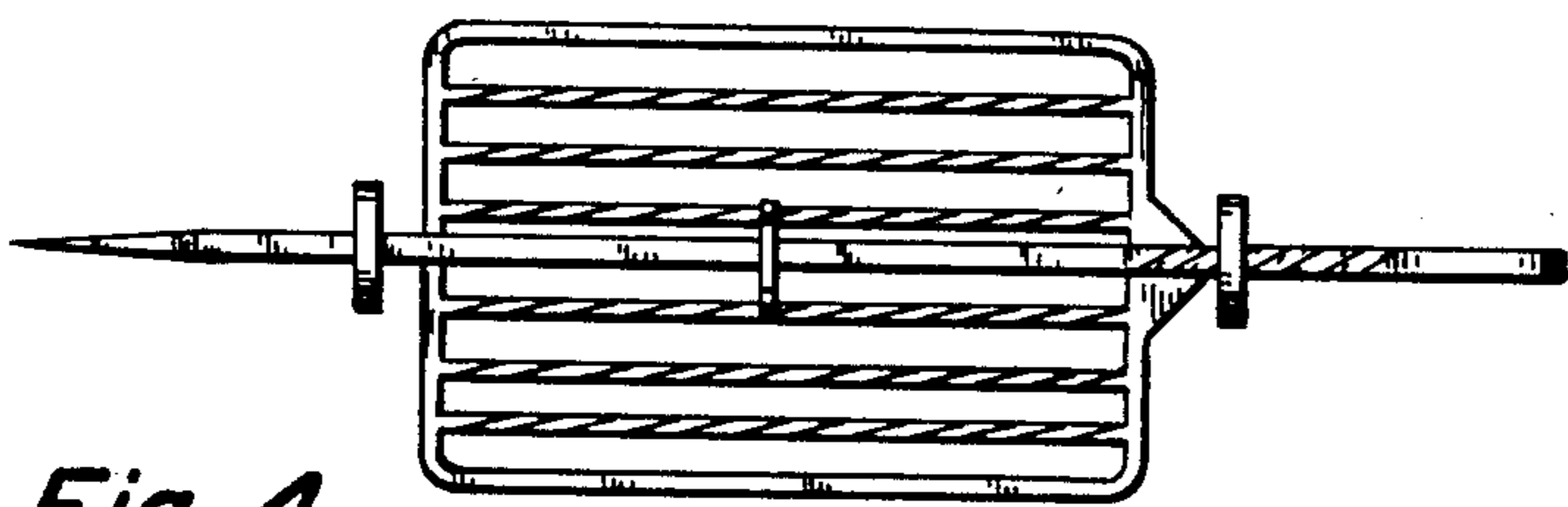


Fig. 4

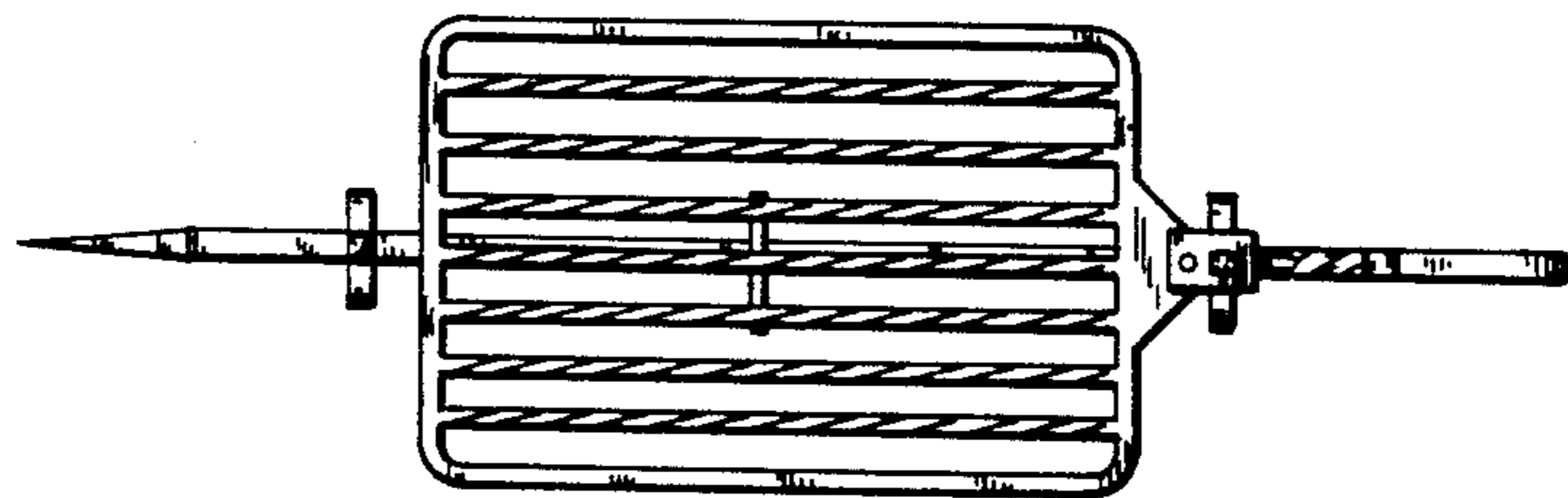


Fig. 5