

[54] BEVERAGE CARRYING TRAY

[76] Inventors: Tom A. Patterson, 8689 W. 84th Cir., Arvada, Colo. 80005; Bernard E. Quirk, 7054 Newland Ave., Arvada, Colo. 80003

[**] Term: 14 Years

[21] Appl. No.: 891,485

[22] Filed: Mar. 29, 1978

[51] Int. Cl. D07-99; D09-03

[52] U.S. Cl. D7/71; D9/177; D9/179

[58] Field of Search D7/70, 71, 37, 38, 21, D7/94; D9/176, 177, 179; 224/48 R, 48 A, 48 C; 206/557, 562

[56] References Cited

U.S. PATENT DOCUMENTS

D. 210,613 3/1968 Moore D7/129
D. 225,732 1/1973 Waldemann D9/177

2,148,439 2/1939 Crawford 99/450 X
2,330,345 9/1943 Elliott 206/562 X
3,315,858 4/1967 Horner D7/71 X

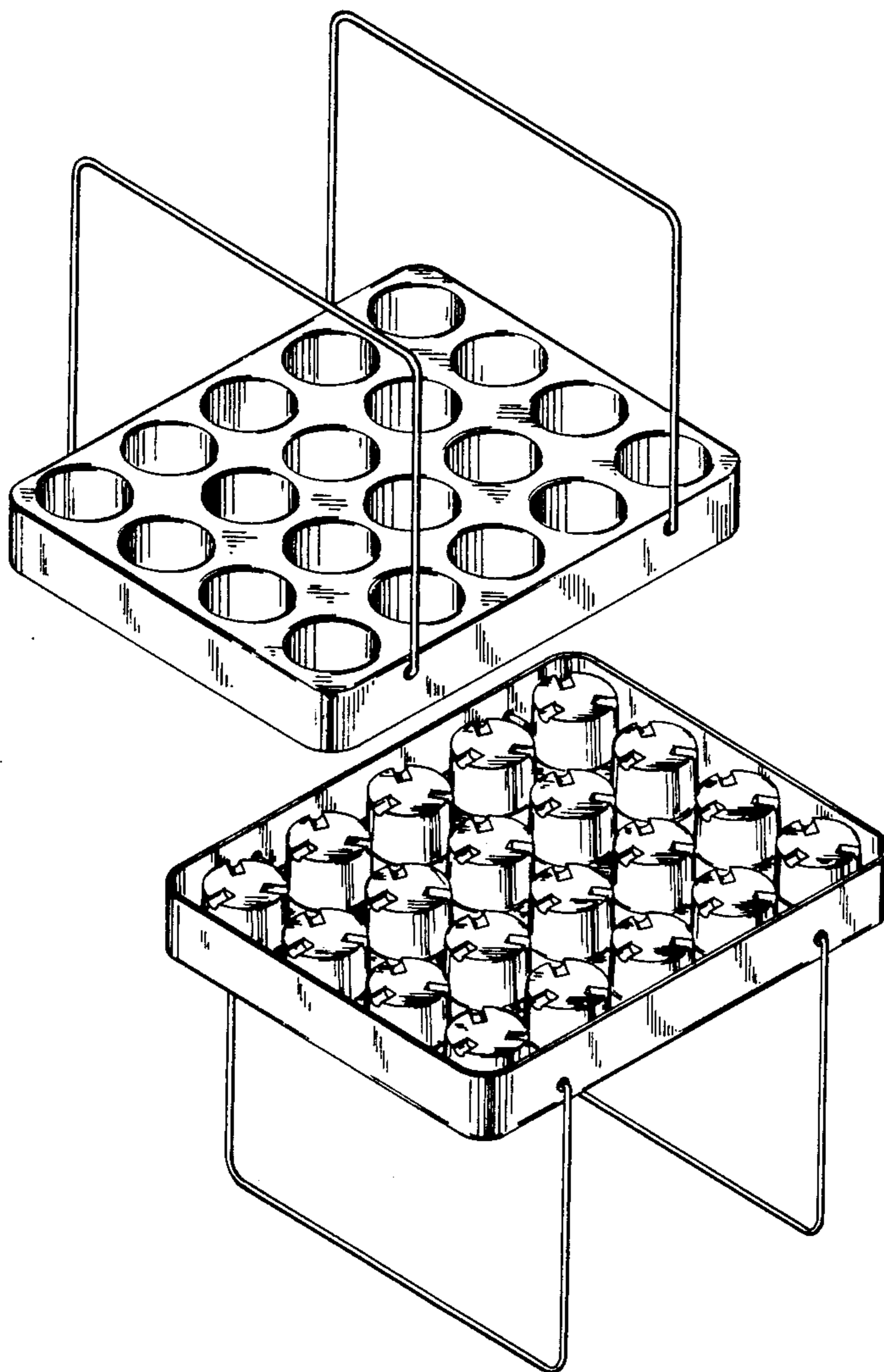
Primary Examiner—Winifred E. Herrmann
Attorney, Agent, or Firm—Philip H. Sheridan

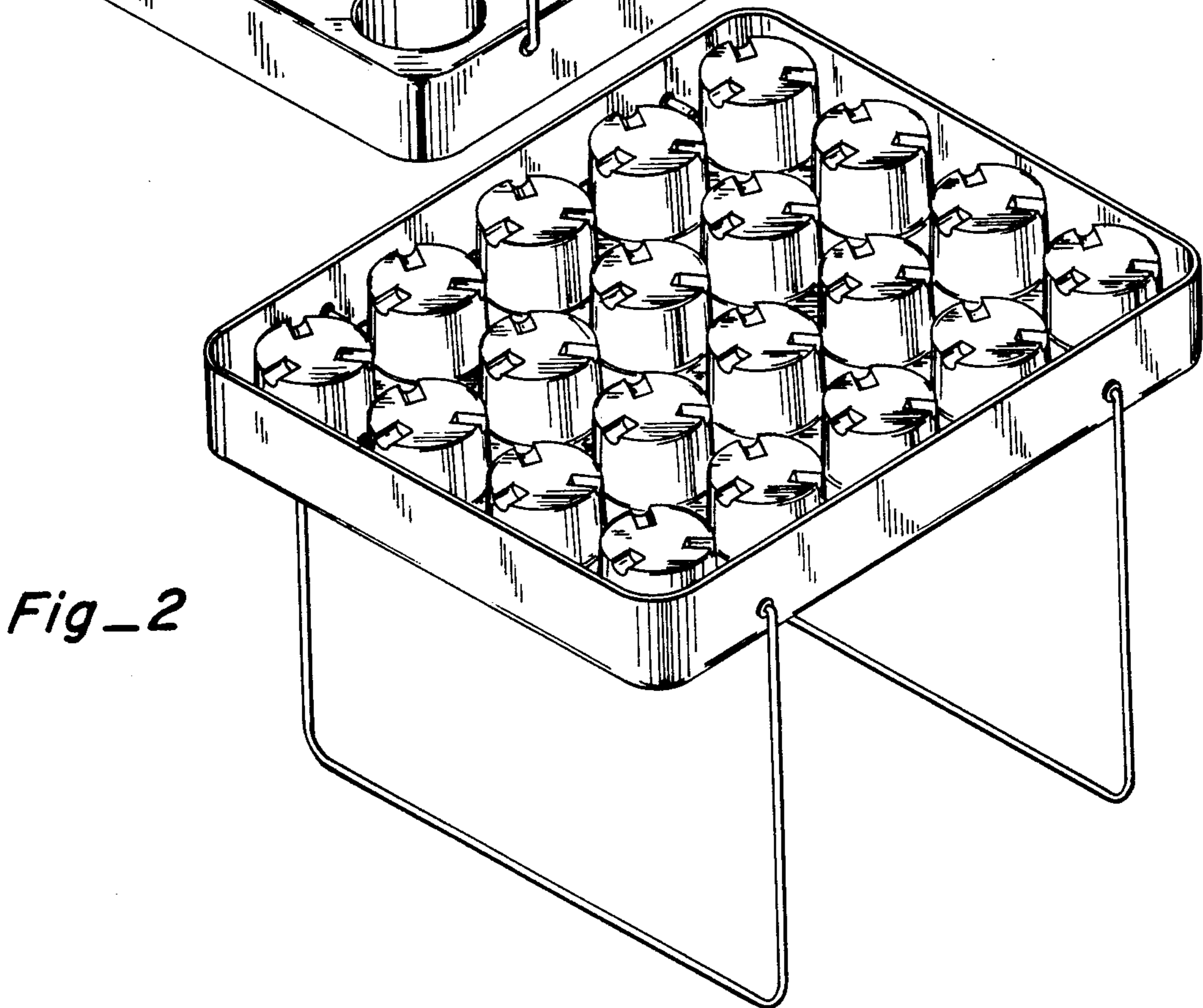
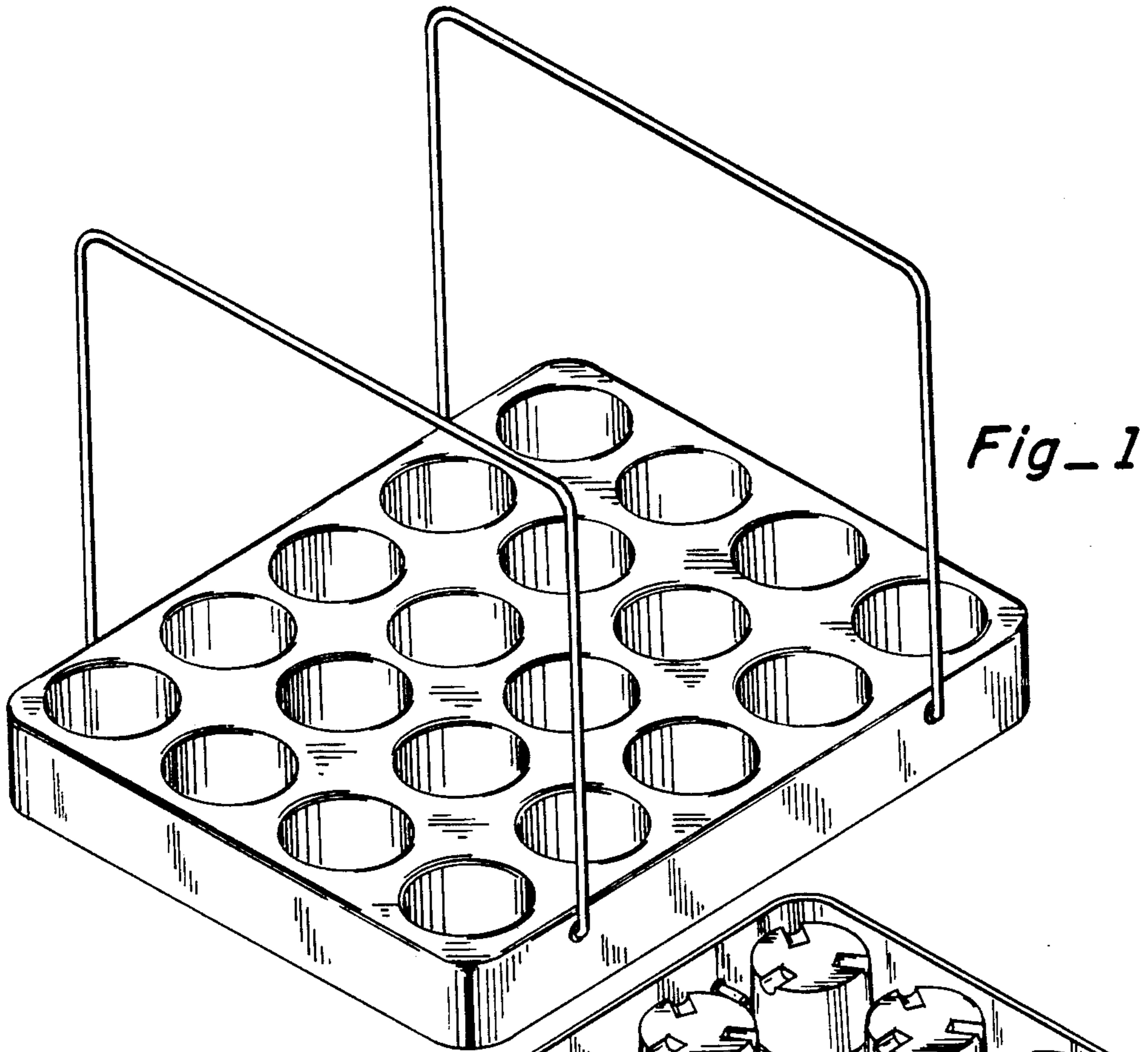
[57] CLAIM

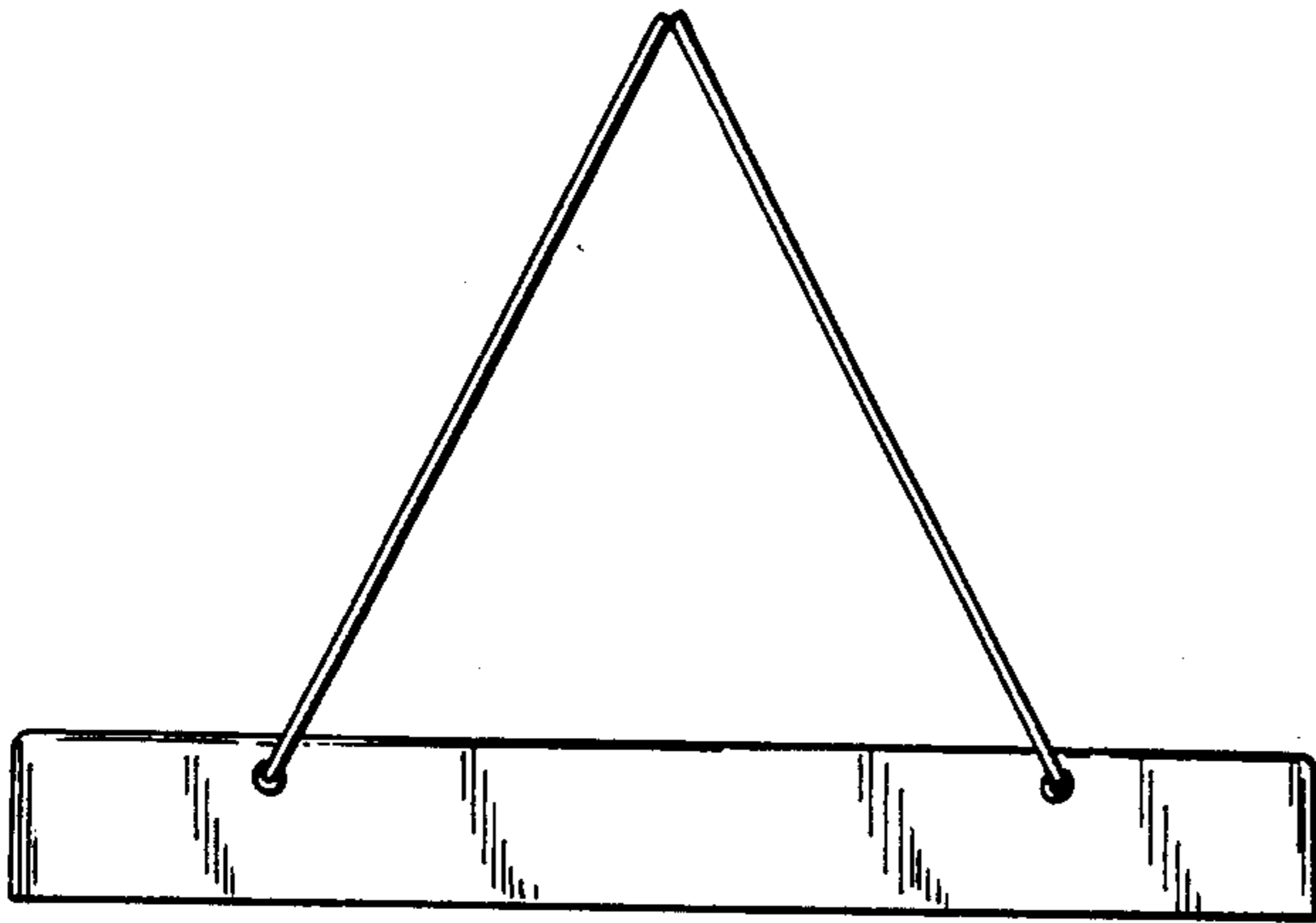
The ornamental design for a beverage carrying tray, as shown and described.

DESCRIPTION

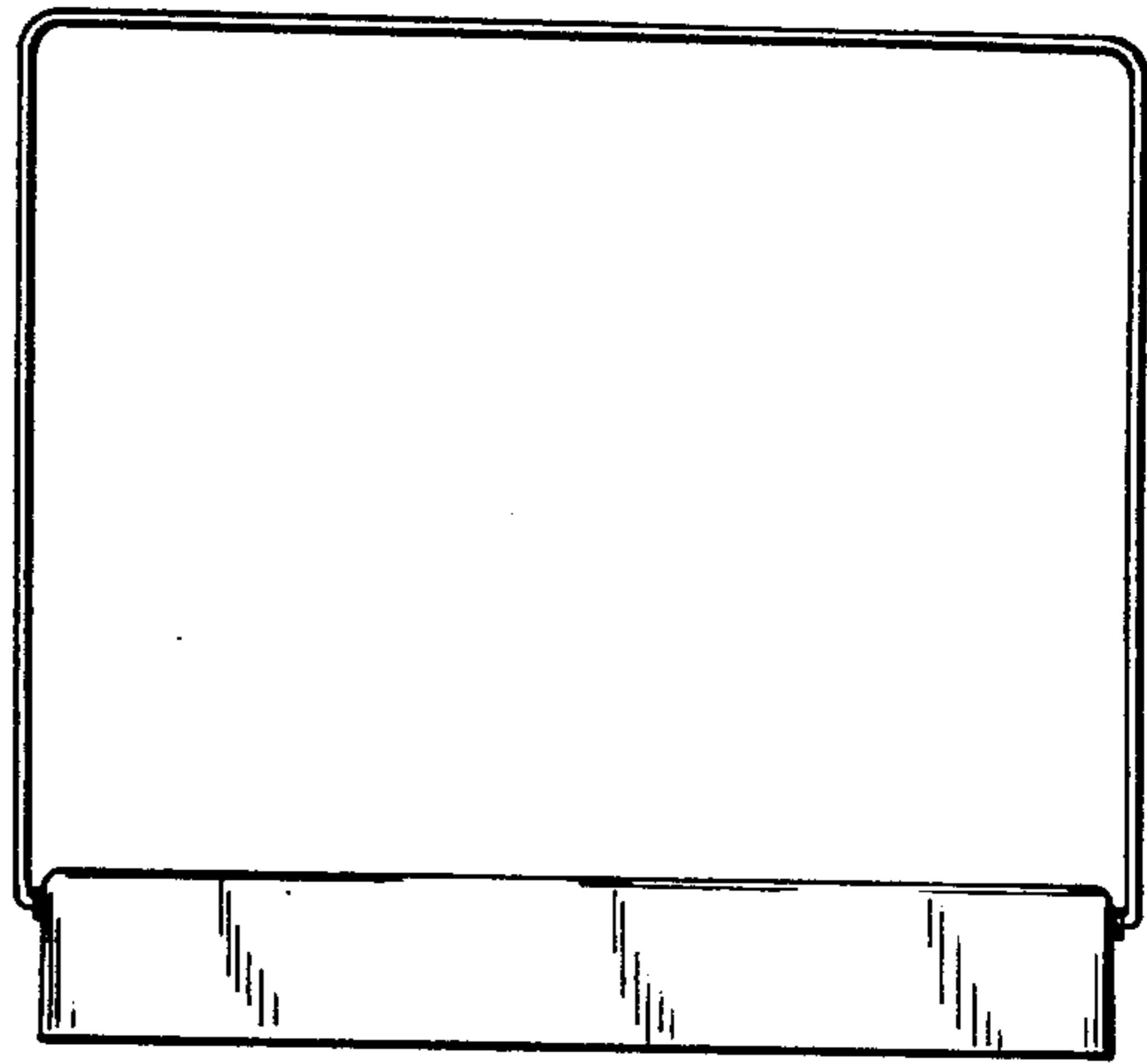
FIG. 1 is a top perspective view of a beverage carrying tray showing our new design;
FIG. 2 is a bottom perspective view thereof;
FIG. 3 is a side elevational view thereof, the pivotal handles being in a typical carrying position;
FIG. 4 is an end elevational view thereof;
FIG. 5 is a top plan view thereof;
FIG. 6 is a bottom plan view thereof; and
FIG. 7 is a side elevational view thereof, the pivotal handles being arranged in an overlapping folded position between beverage containers which are shown in broken lines for illustrative purposes only.



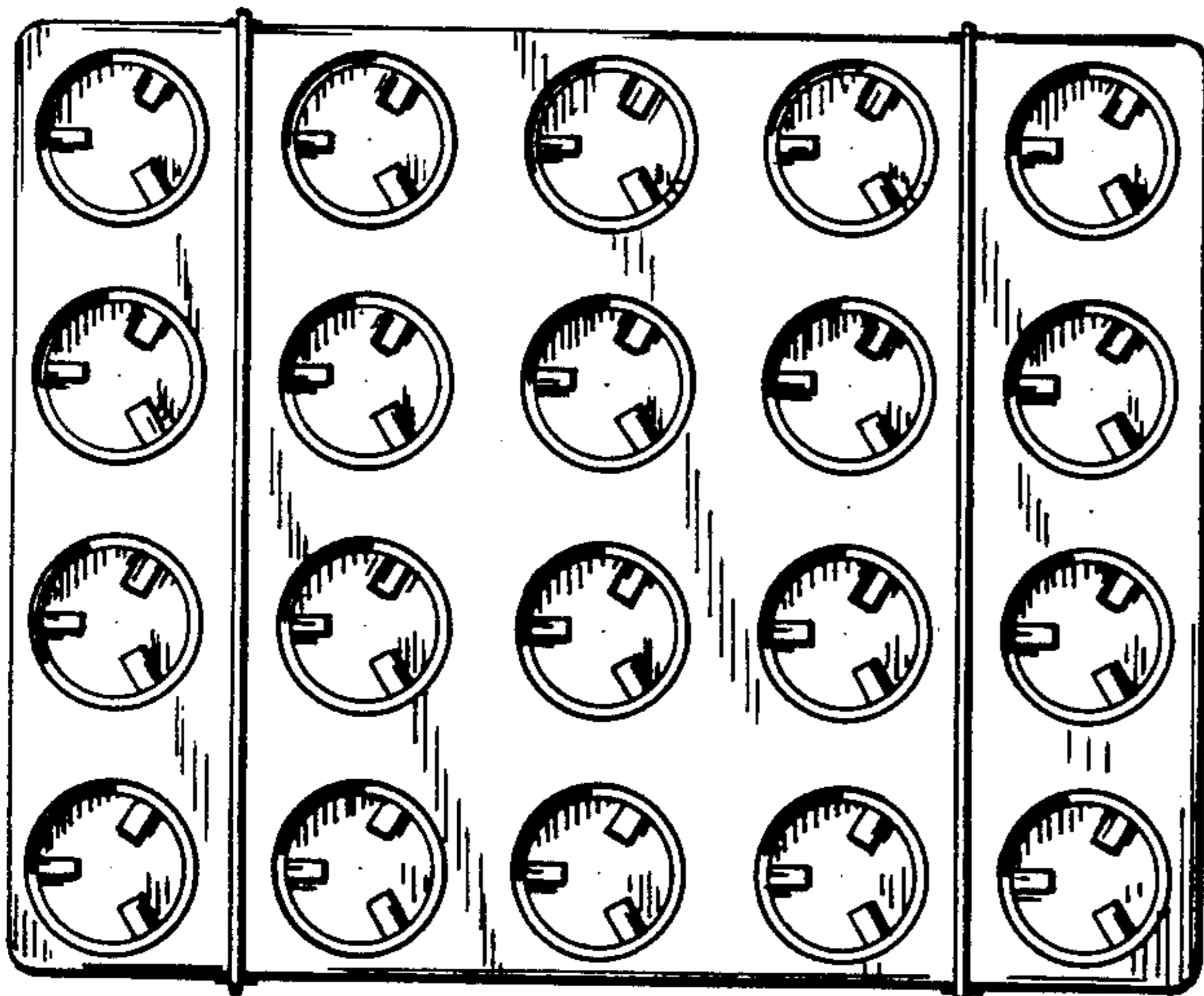




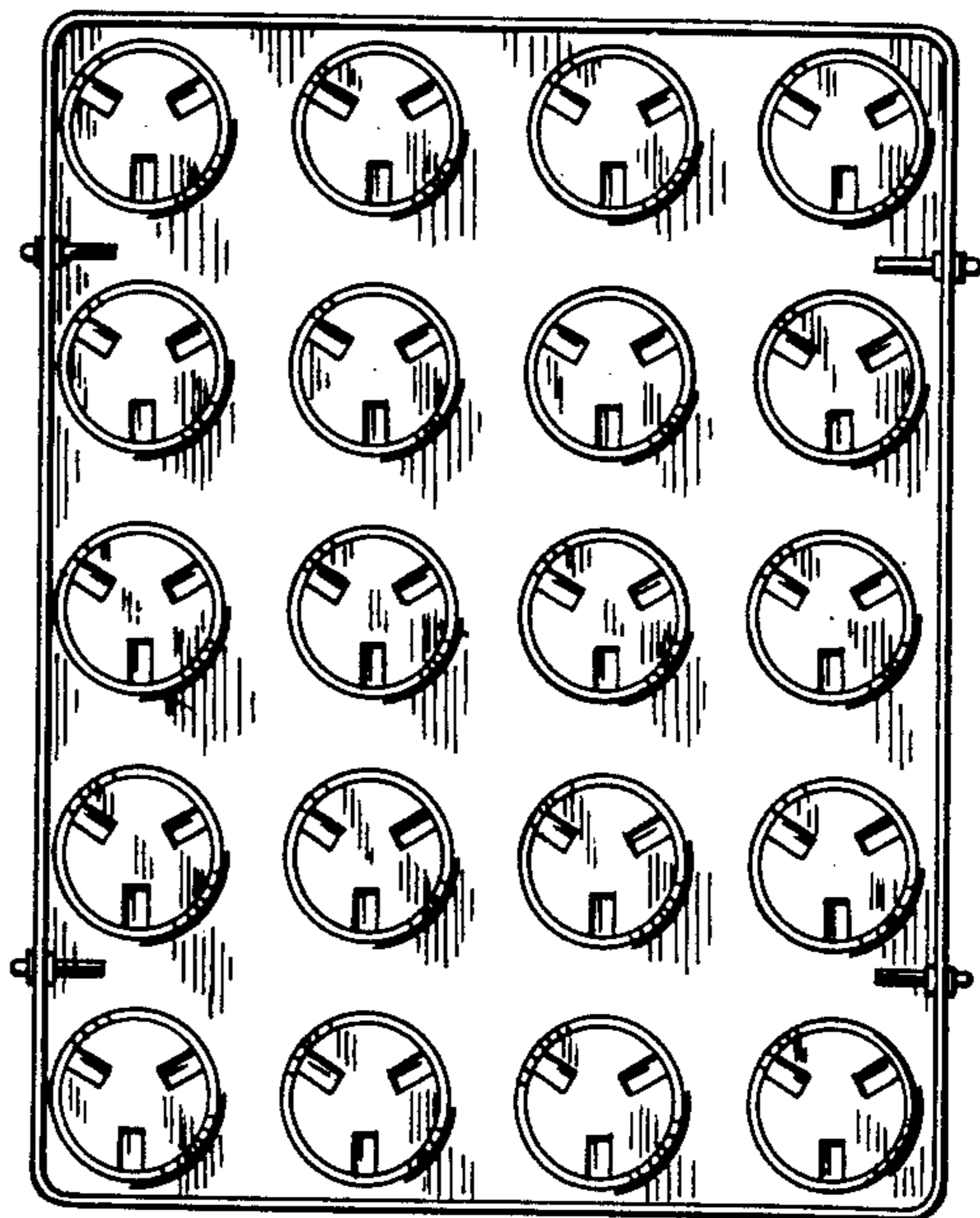
Fig_3



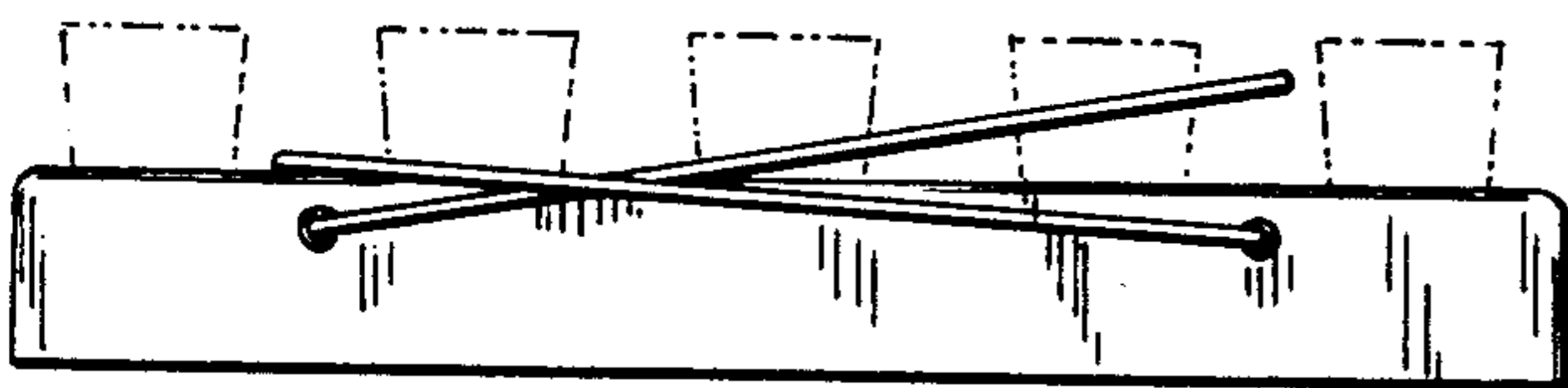
Fig_4



Fig_5



Fig_6



Fig_7