

[54] STORAGE AND SERVING CONTAINER OR THE LIKE

[75] Inventors: Jack V. Croyle, North Providence; Robert F. Bateman, Greenville, both of R.I.

[73] Assignee: Dart Industries Inc., Los Angeles, Calif.

[**] Term: 14 Years

[21] Appl. No.: 933,004

[22] Filed: Aug. 11, 1978

[51] Int. Cl. D07-01; D07-07

[52] U.S. Cl. D7/16; D7/76; D9/219

[58] Field of Search D7/16, 76, 77; D9/219; 220/410

[56]

References Cited

U.S. PATENT DOCUMENTS

D. 232,901	9/1974	Bell et al.	D7/77
D. 241,599	9/1976	Croyle et al.	D7/76
D. 246,560	12/1977	Beauchamp	D7/16 X
D. 248,090	6/1978	Box	D9/219 X
1,587,167	6/1926	Marsden	D7/76 X
2,941,660	6/1960	Tupper	D7/17 X
3,077,284	2/1963	McLaughlin	D9/219 X

Primary Examiner—Winifred E. Herrmann
Attorney, Agent, or Firm—Leigh B. Taylor

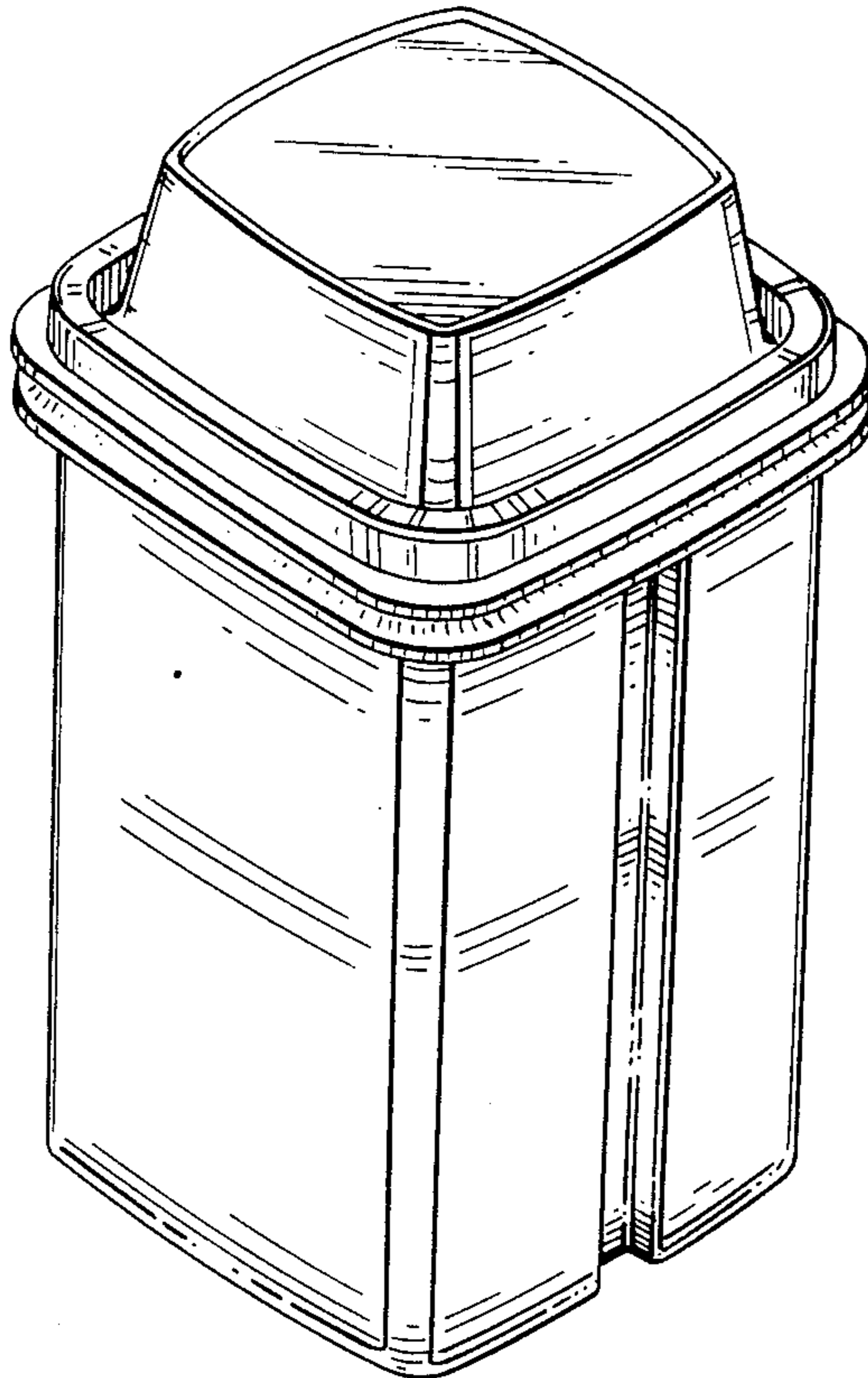
[57]

CLAIM

The ornamental design for a storage and serving container or the like, substantially as shown.

DESCRIPTION

FIG. 1 is a top perspective view of a storage and serving container or the like showing our new design; FIG. 2 is a top plan view thereof; FIG. 3 is a side elevational view thereof; FIG. 4 is a front or rear elevational view thereof; and, FIG. 5 is a bottom plan view thereof.



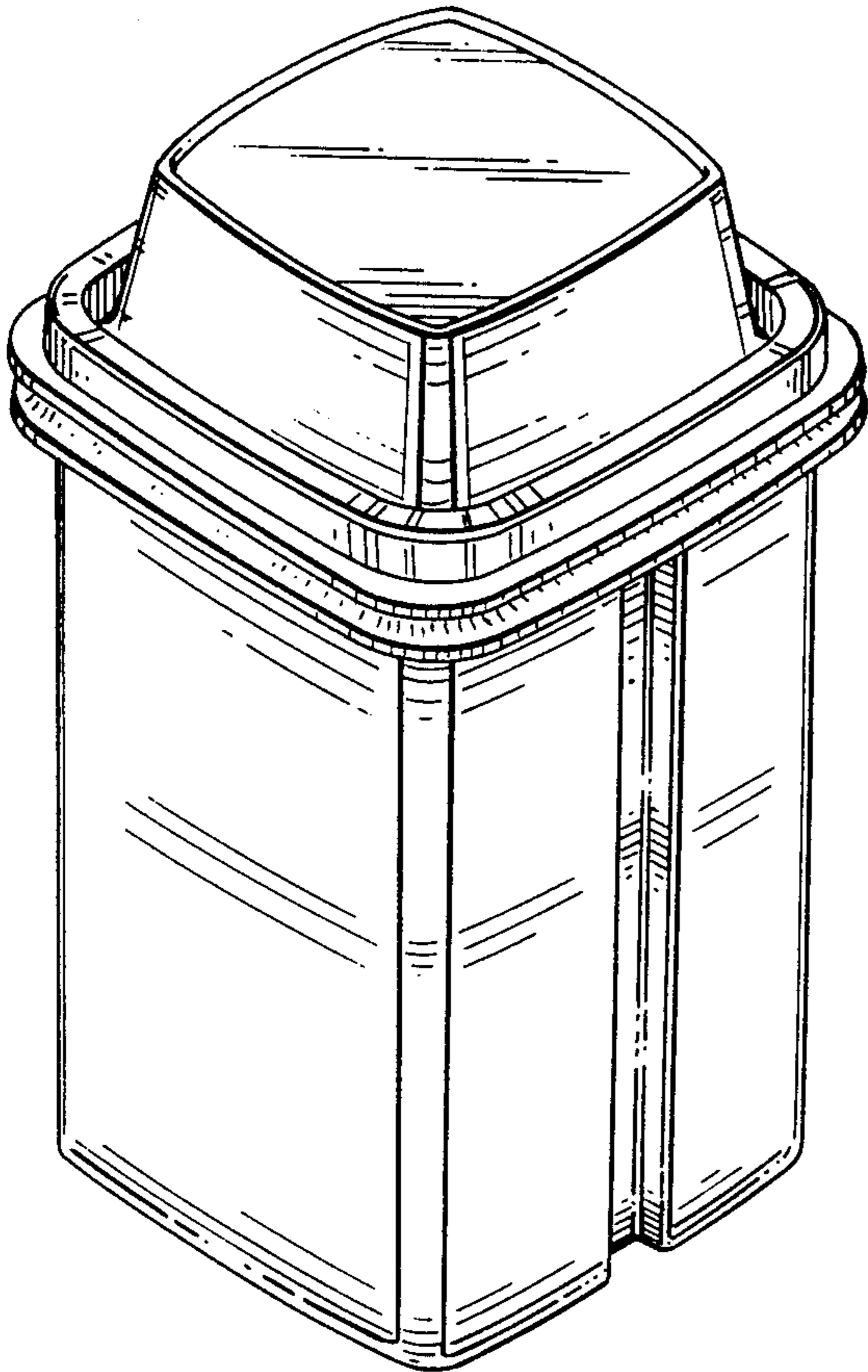


FIG. 1

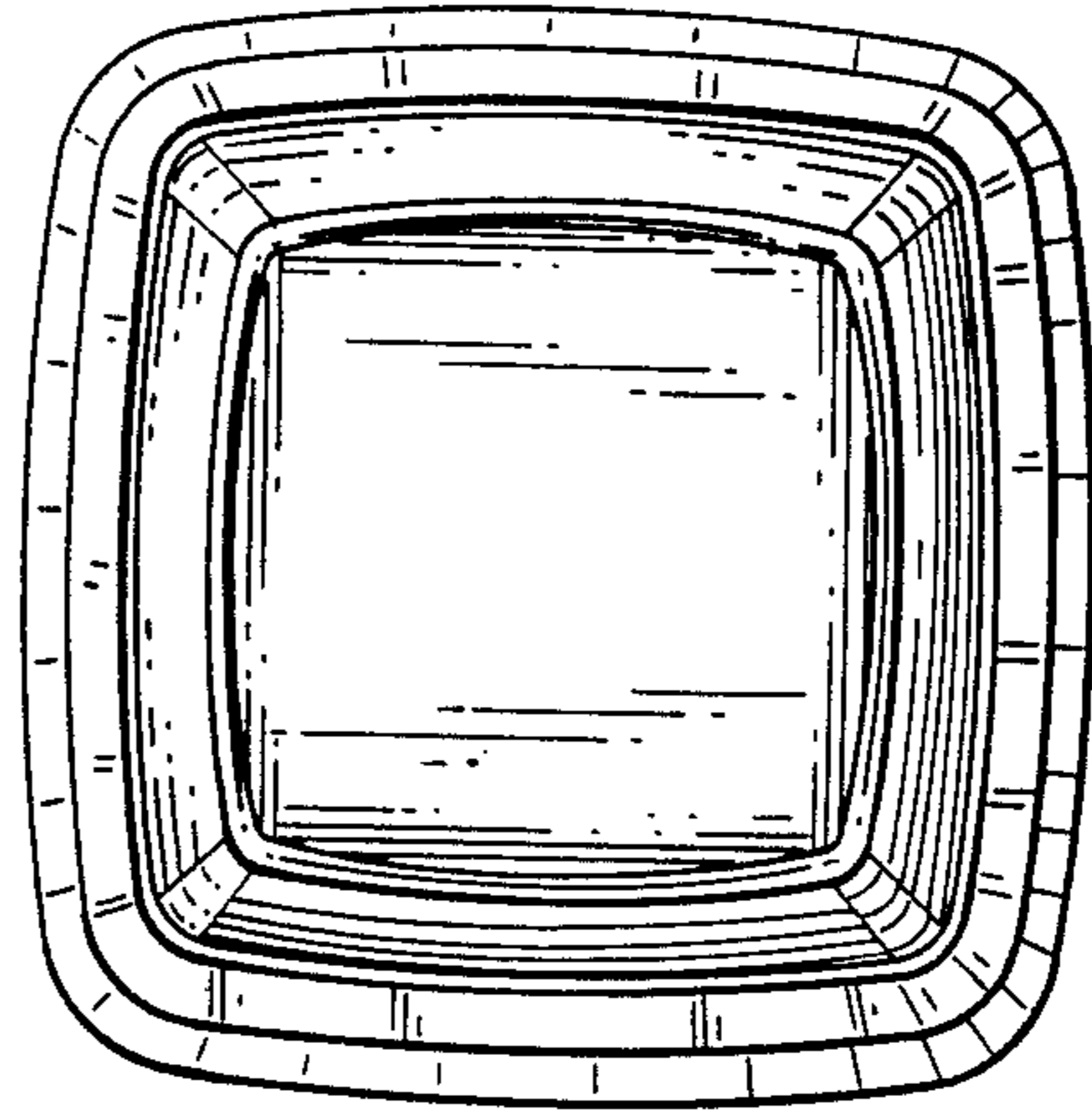


FIG. 2

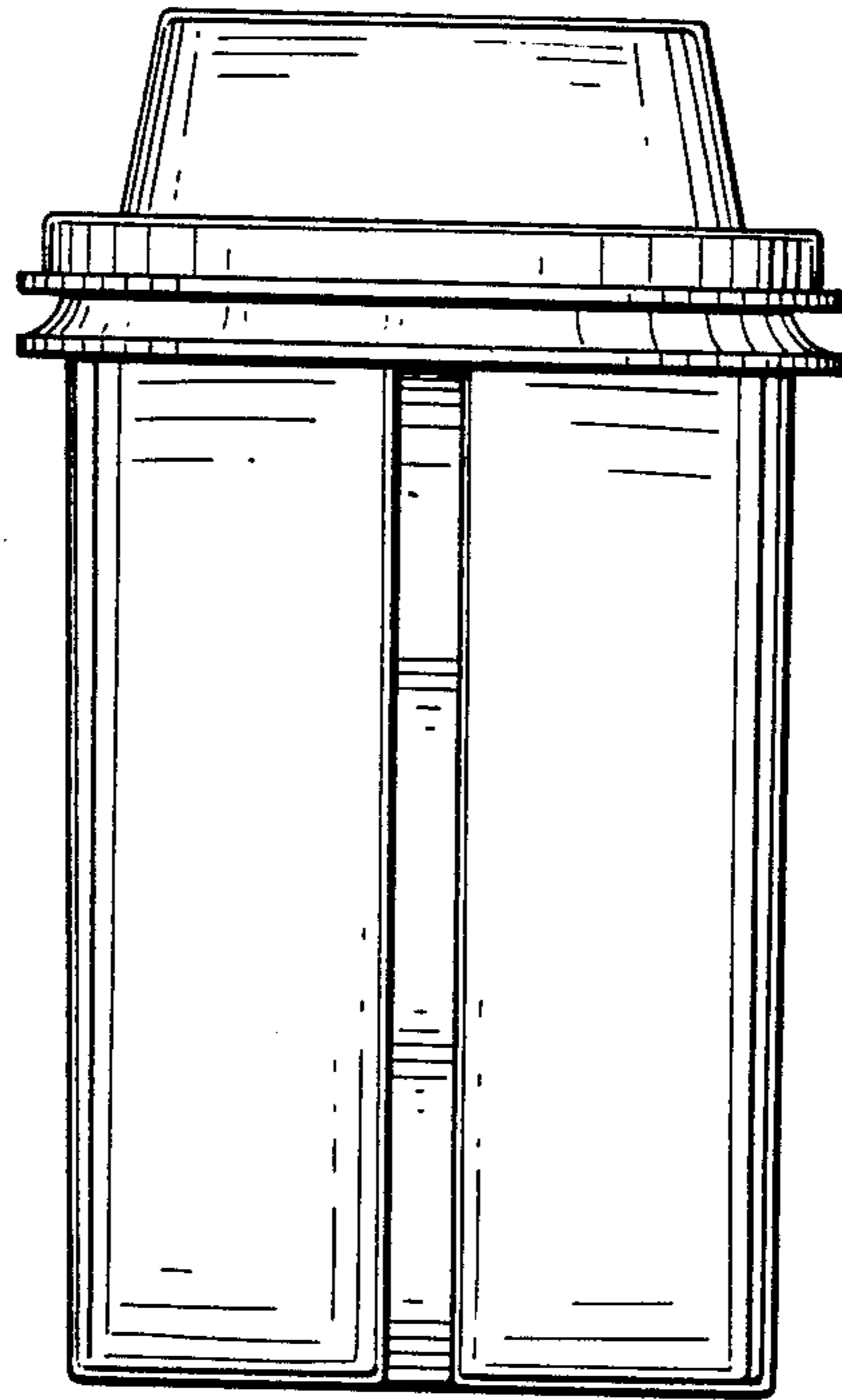


FIG. 3

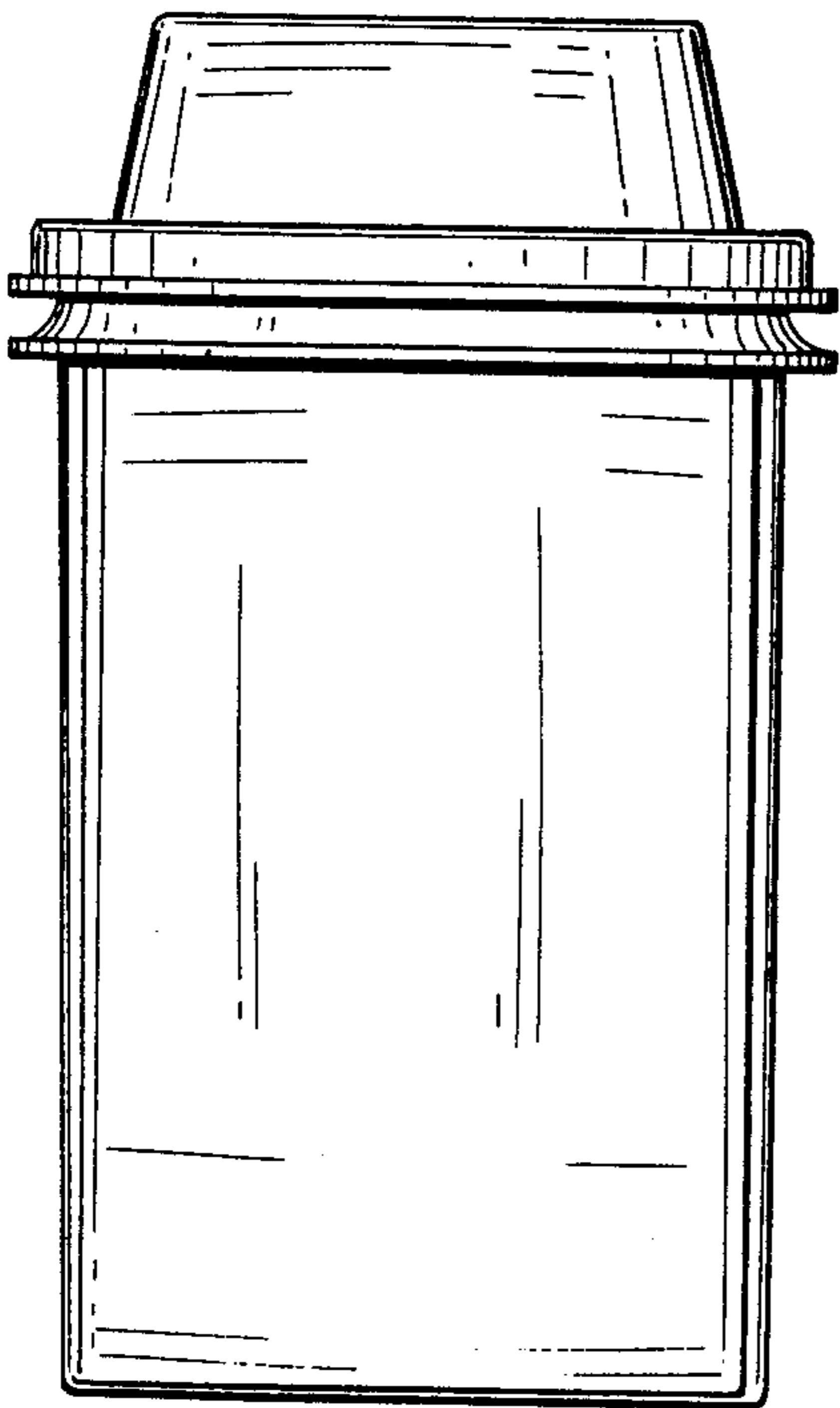


FIG. 4

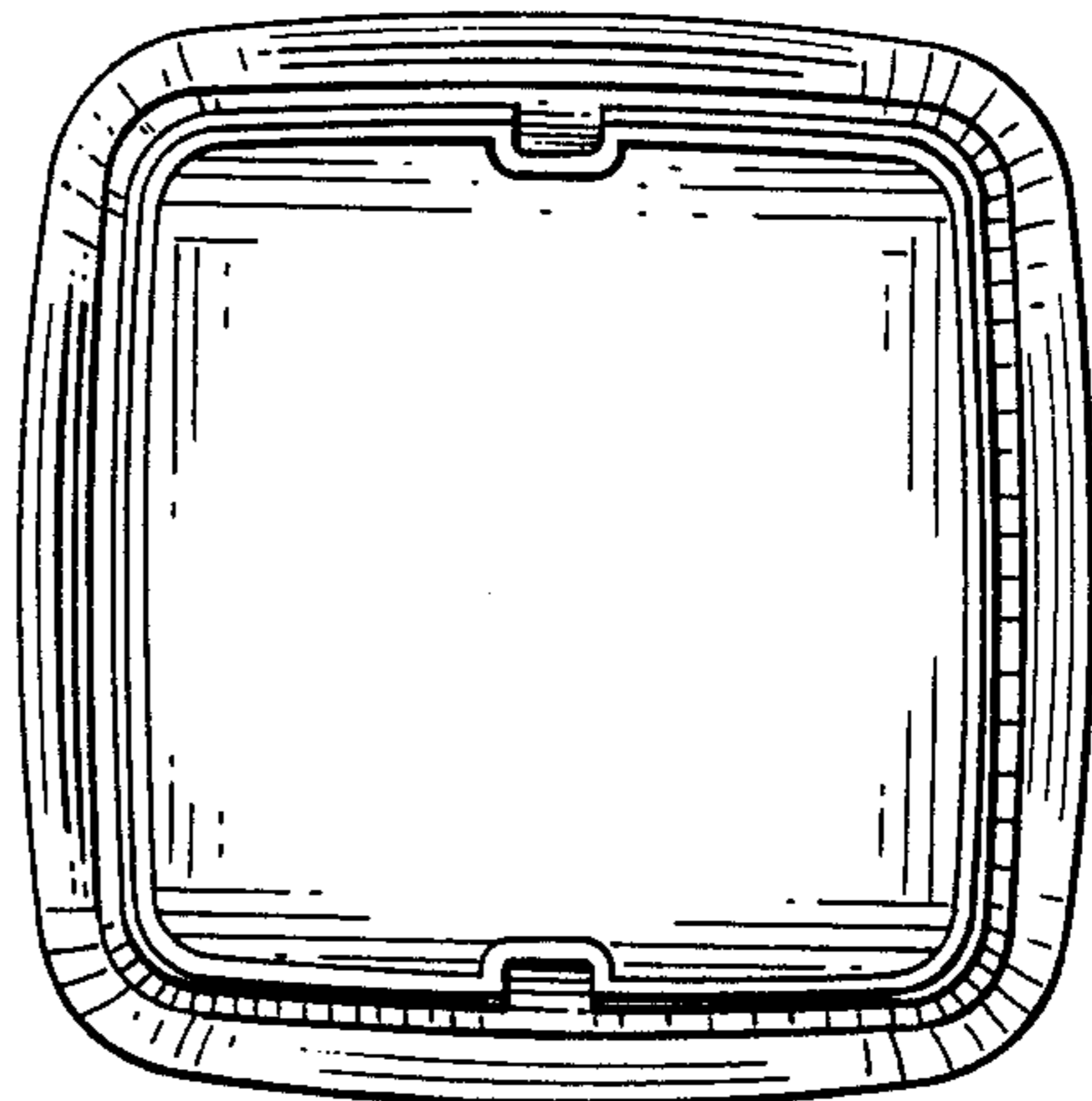


FIG. 5