

[54] COMBINED LAMP AND BATHTUB BOOK SUPPORT

3,239,850 3/1966 Kiss D6/86
3,664,629 5/1972 Reed 248/441 A

[76] Inventor: Kelly Parker, Clifton Park
Apartments, Apt. 2, Bldg. 26,
Wilmington, Del. 19802

Primary Examiner—Wallace R. Burke
Assistant Examiner—B. J. Bullock
Attorney, Agent, or Firm—E. Alan Uebler

[**] Term: 14 Years

[57] CLAIM

[21] Appl. No.: 964,467

The ornamental design for a combined lamp and bath-
tub book support, substantially as shown and described.

[22] Filed: Nov. 29, 1978

DESCRIPTION

[51] Int. Cl. D6—04; D26—05

[52] U.S. Cl. D6/86; D6/180;
D6/184; D26/51

[58] Field of Search D6/86, 180, 184;
D19/91; 211/184; 248/441 A, 441 B, 441 C,
448, 451, 464, 465; 40/341; D48/20 D

FIG. 1 is a front elevational view of a combined lamp and bathtub book support showing my new design, the partial showing of a bathtub in broken lines is for illustrative purposes only;

FIG. 2 is a side elevational view taken from the right of FIG. 1, again the partial showing of a bathtub in broken lines is for illustrative purposes only;

FIG. 3 is a top plan view thereof;

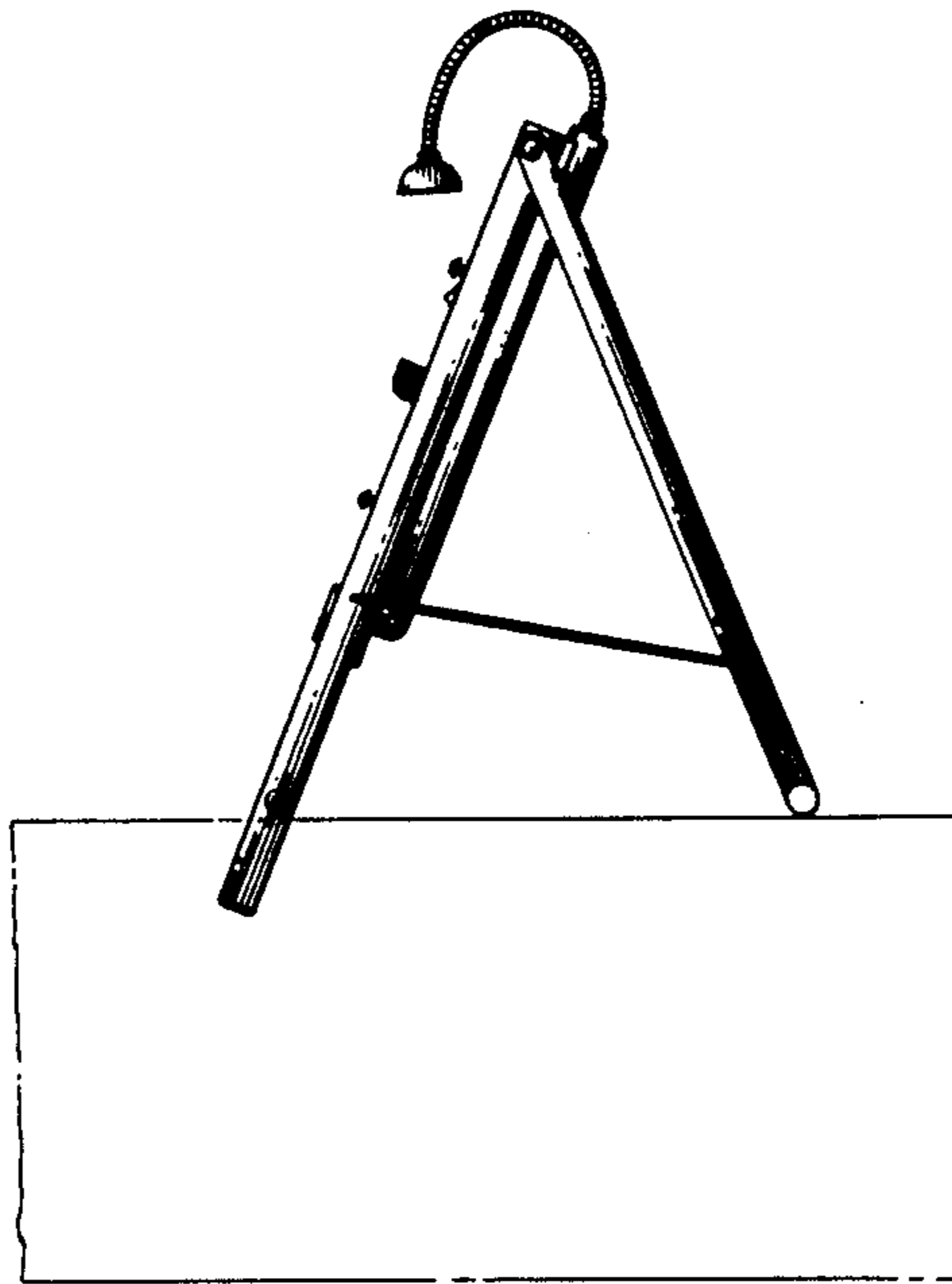
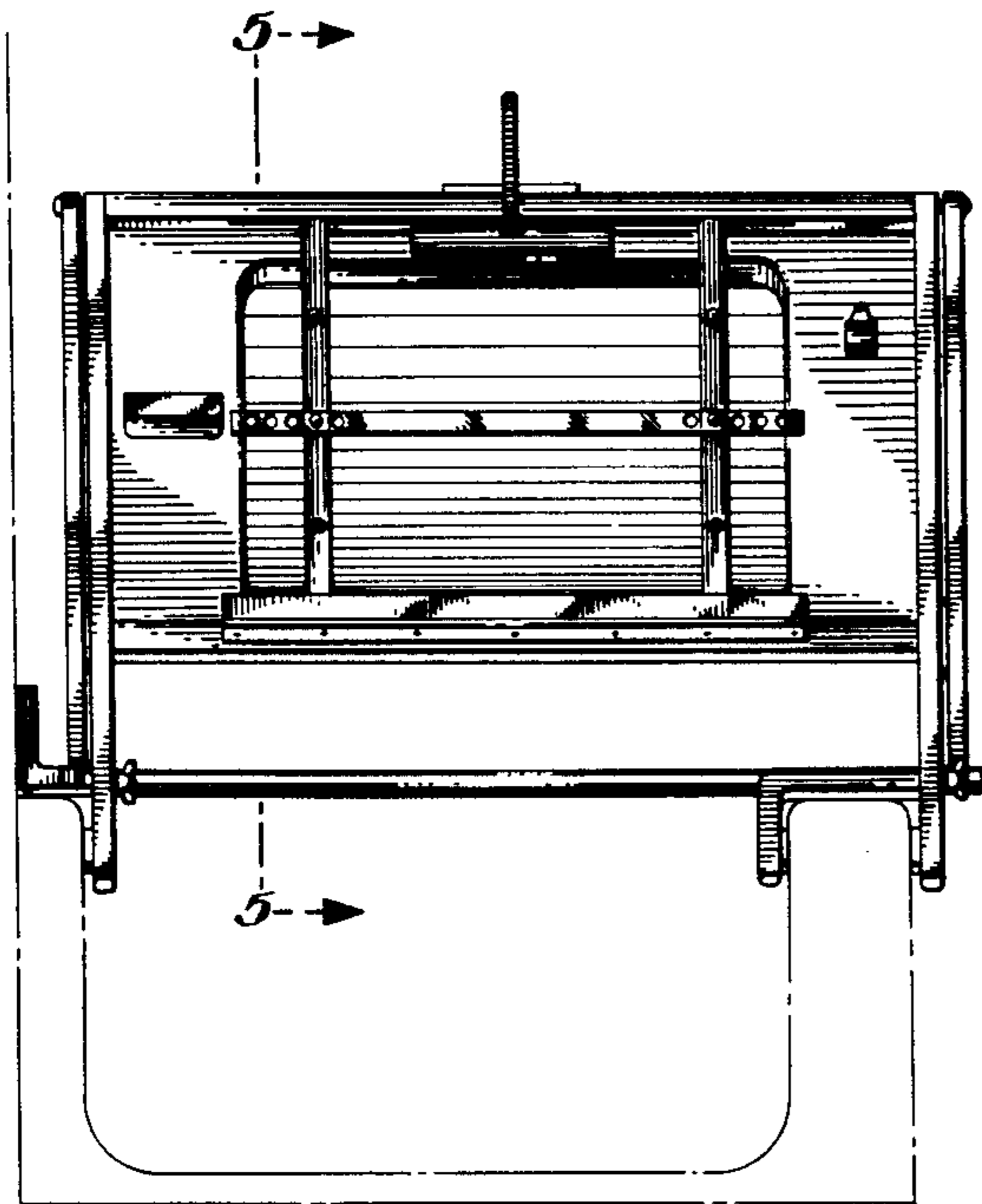
FIG. 4 is a rear elevational view thereof;

FIG. 5 is a sectional view taken in the direction of the arrows on lines 5—5 of FIG. 1.

[56] References Cited

U.S. PATENT DOCUMENTS

D. 250,439 12/1978 Holstein D6/86
2,244,773 6/1941 Hawk 248/451



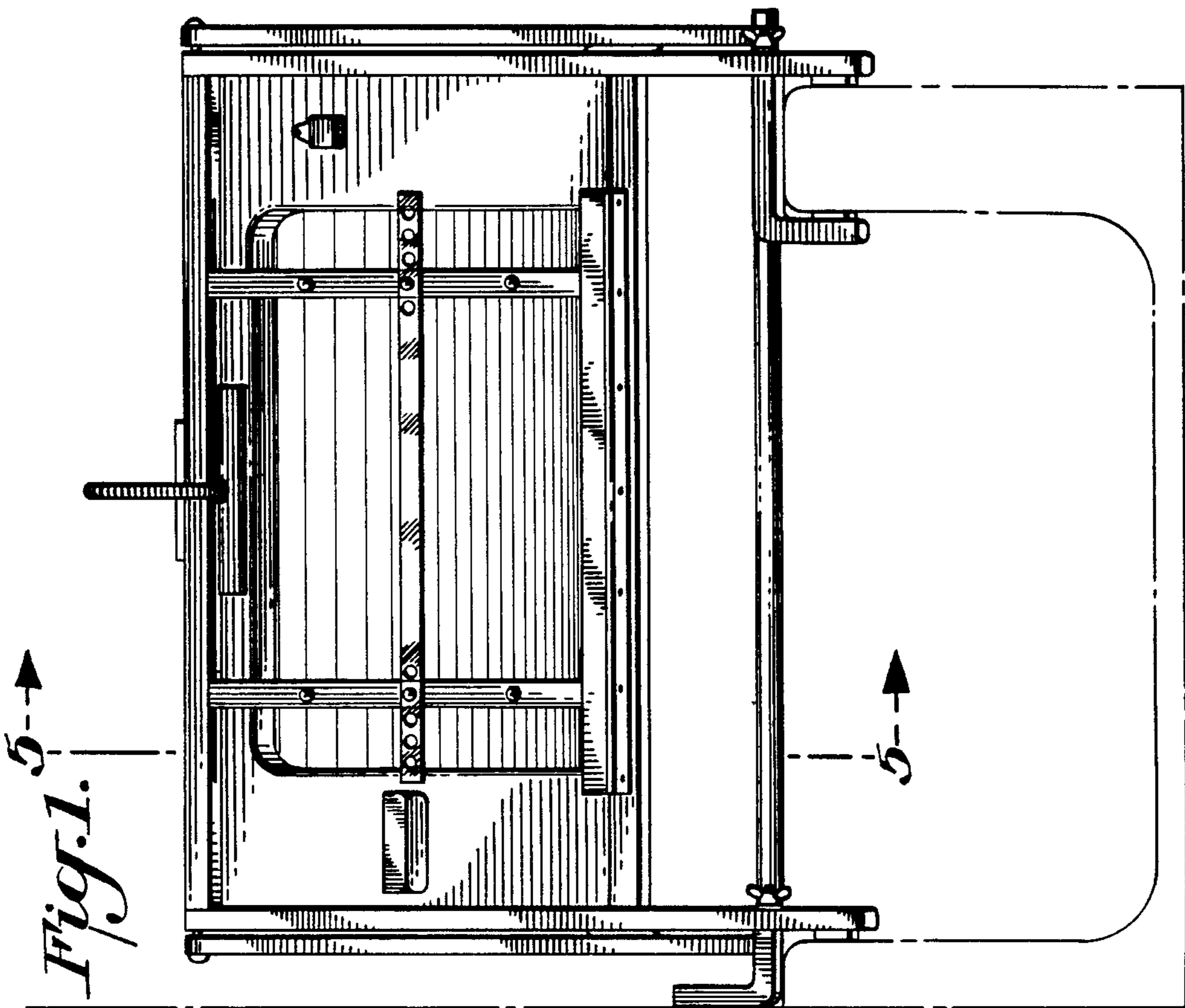
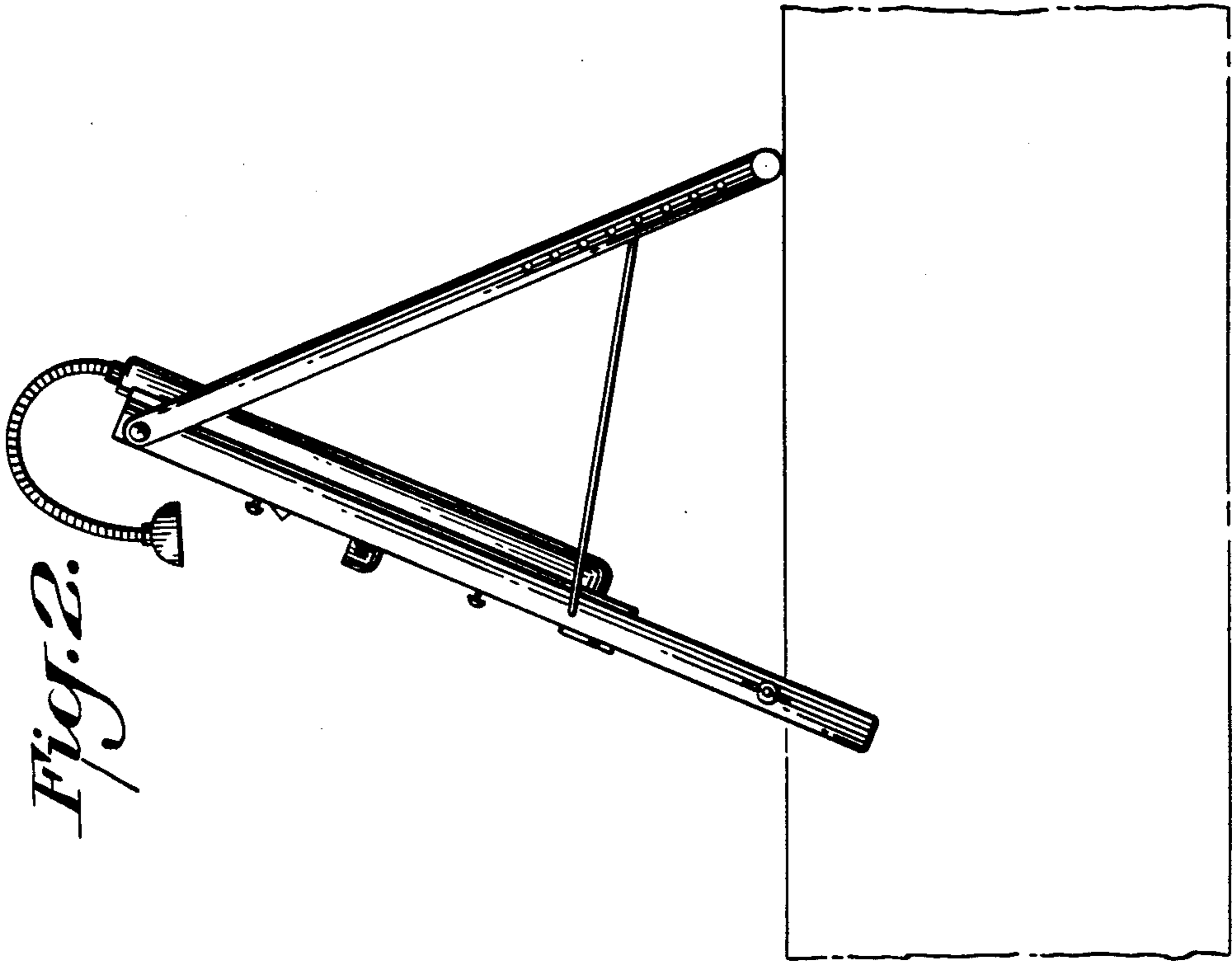


Fig. 3.

