

[54] **CHAIR**

[75] **Inventor:** William J. Hershberger, Cincinnati, Ohio

[73] **Assignee:** Formica Corporation, Wayne, N.J.

[**] **Term:** 14 Years

[21] **Appl. No.:** 848,951

[22] **Filed:** Nov. 7, 1977

[51] **Int. Cl.** D6-01

[52] **U.S. Cl.** D6/66; D6/71

[58] **Field of Search** D6/20, 26, 30, 31, 32-36, D6/47-78

[56]

References Cited

U.S. PATENT DOCUMENTS

D. 225,924 1/1973 Gilbert et al. D6/75
D. 226,646 4/1973 Cross, Jr. D6/71

Primary Examiner—Bruce W. Dunkins
Attorney, Agent, or Firm—Frank M. Van Riet

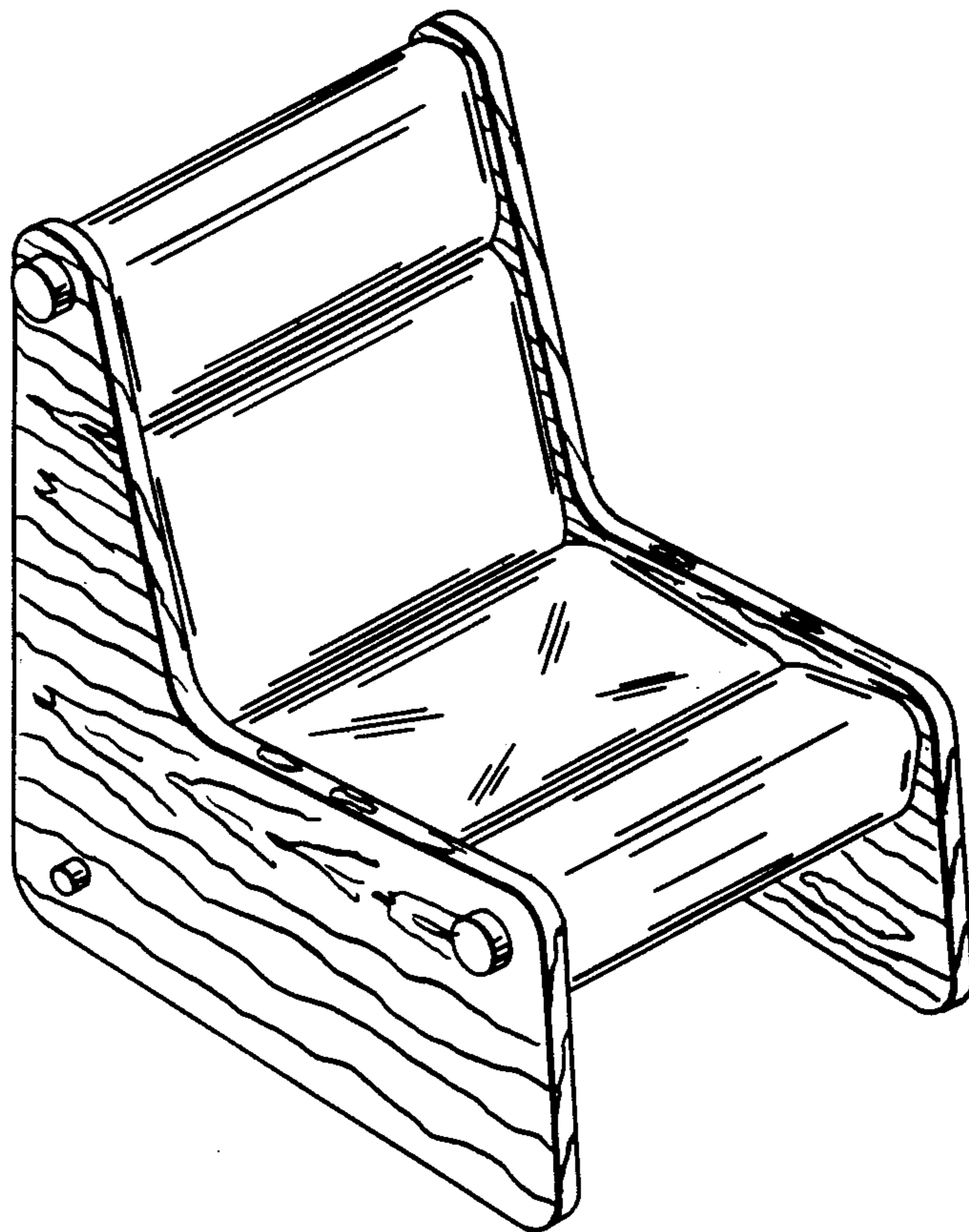
[57]

CLAIM

The ornamental design for a chair, as shown and described.

DESCRIPTION

FIG. 1 is a front perspective view of a chair showing my design;
FIG. 2 is a rear perspective view;
FIG. 3 is a rear elevational view;
FIG. 4 is a front elevational view; and
FIG. 5 is a bottom plan view thereof.
The side of the chair not shown is a mirror image of the side shown in FIG. 1.



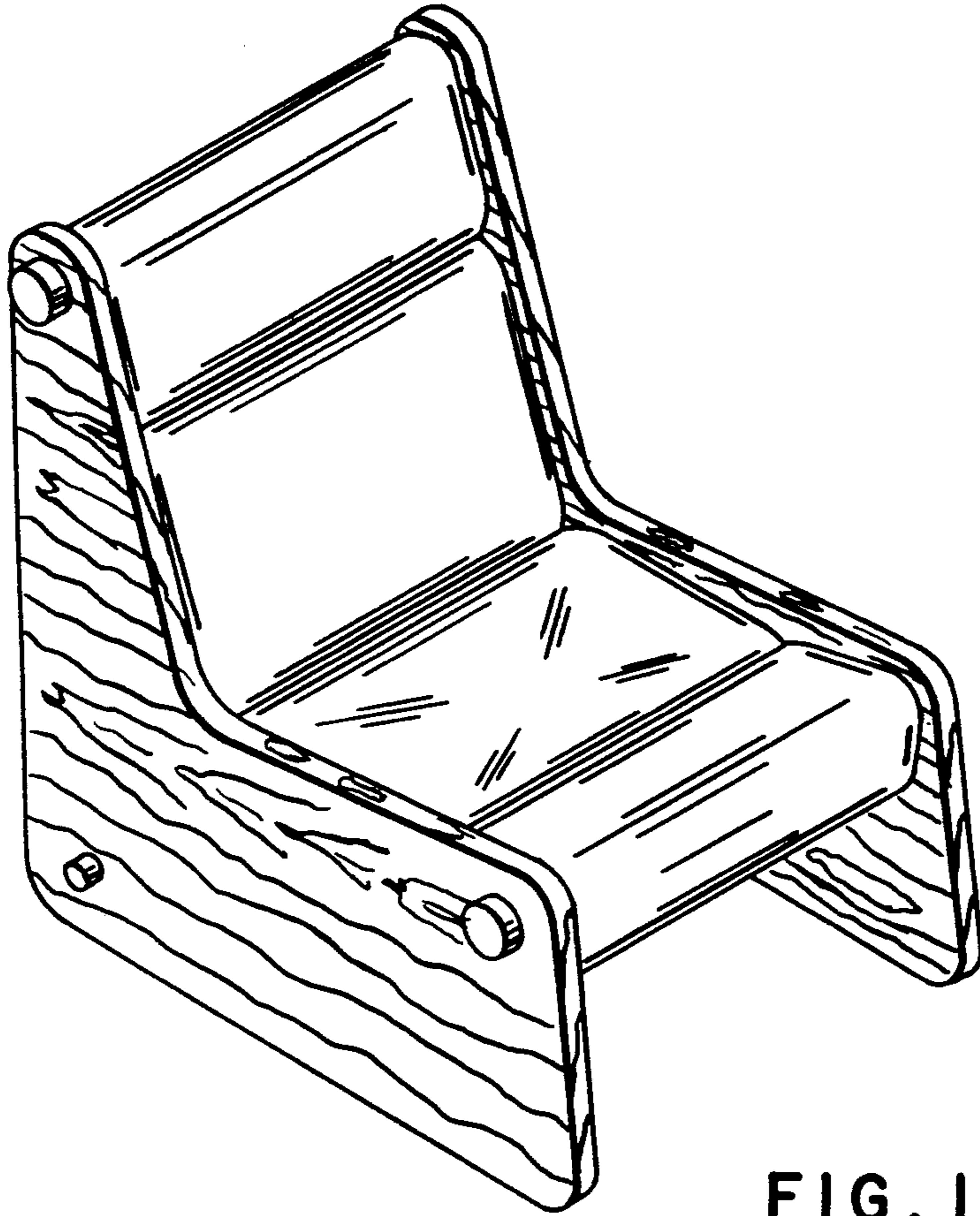


FIG. 1

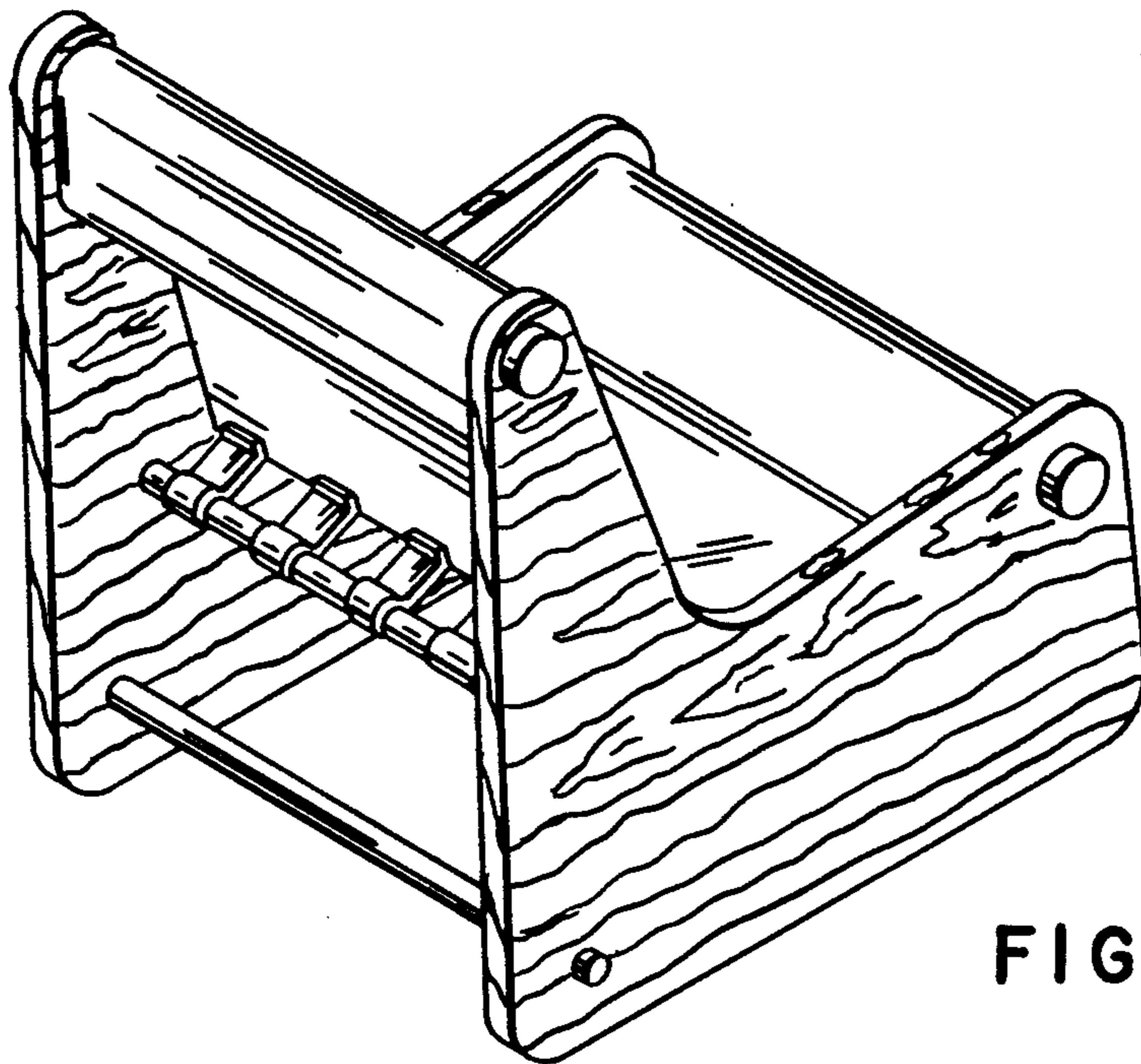


FIG. 2

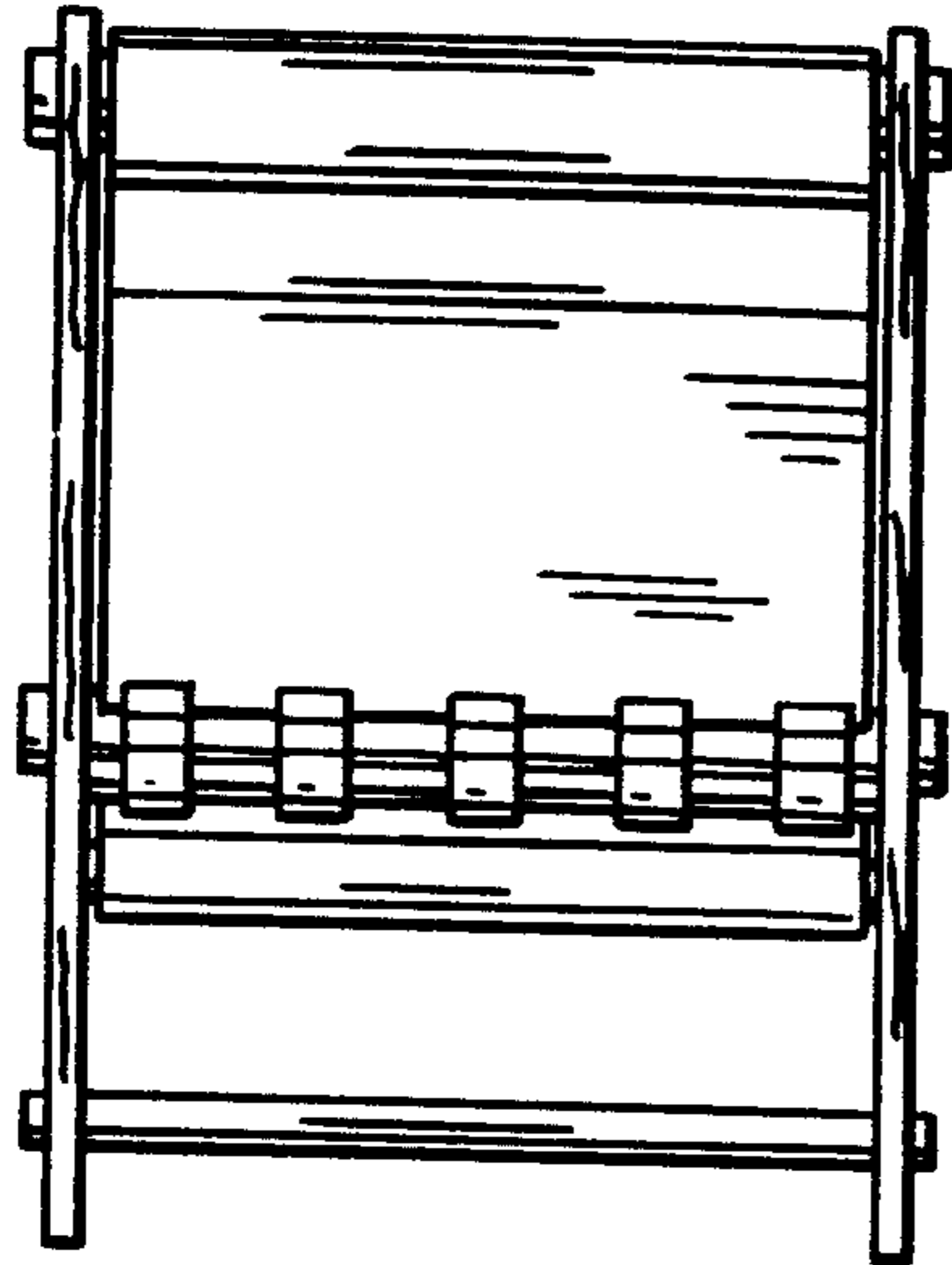


FIG. 3

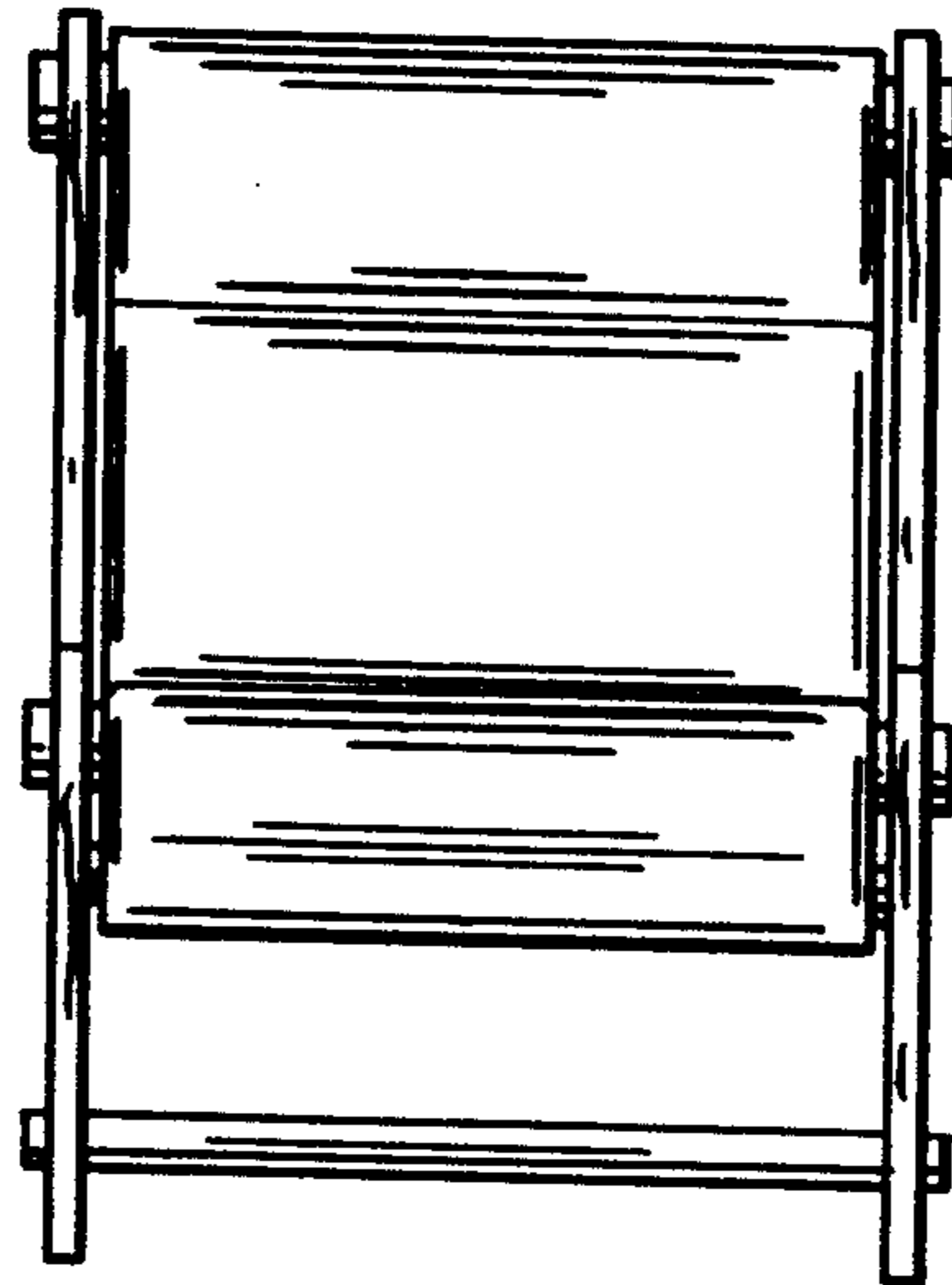


FIG. 4

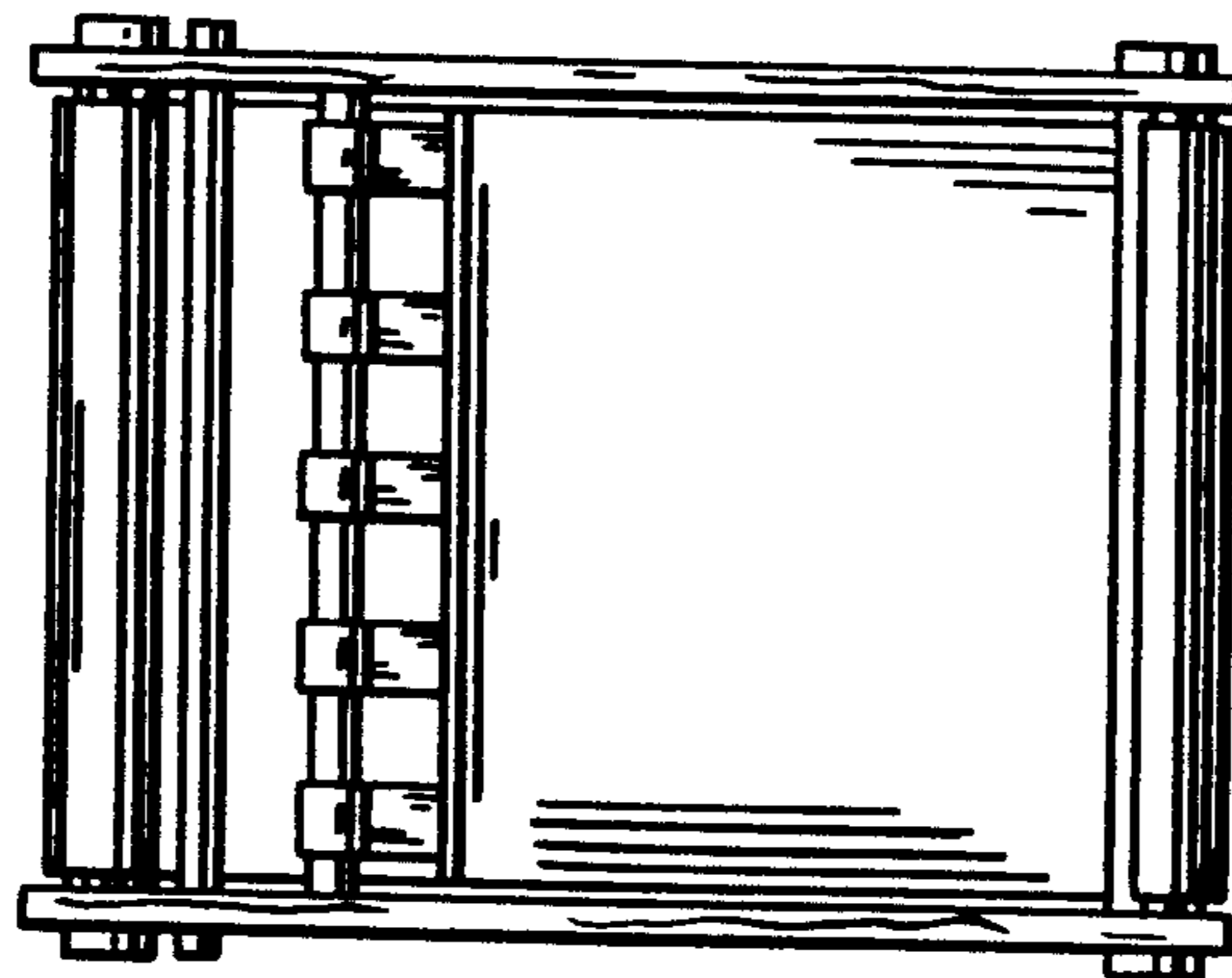


FIG. 5