

[54] COMBINED PORTABLE SPOT/FLOOD LIGHT

[75] Inventor: Thomas Zelina, Erie, Pa.

[73] Assignee: Lighting Systems, Erie, Pa.

[\*] Notice: The portion of the term of this patent subsequent to Mar. 7, 1992, has been disclaimed.

[\*\*] Term: 14 Years

[21] Appl. No.: 862,144

[22] Filed: Dec. 19, 1977

Related U.S. Application Data

[63] Continuation-in-part of Ser. No. 729,587, Oct. 4, 1976, Pat. No. Des. 247,457.

[51] Int. Cl. .... D26-02

[52] U.S. Cl. .... D26/46; D26/50

[58] Field of Search ..... D48/24 R, 24 A, 20 K; 362/158, 161, 164, 183, 184, 187, 188, 189, 190, 191, 196, 201, 202, 203, 204, 205, 208, 223

[56] References Cited

U.S. PATENT DOCUMENTS

D. 217,100	4/1970	Bidder .....	D48/24 R
D. 234,001	12/1974	Strowe et al. ....	D48/24 R
D. 244,876	6/1977	Zelina .....	D48/24 R
D. 247,457	3/1978	Zelina .....	D48/24 R
2,413,599	12/1946	Beck .....	362/157
3,978,330	8/1976	Maurer .....	362/158

FOREIGN PATENT DOCUMENTS

6506150	11/1965	Netherlands .....	362/223
---------	---------	-------------------	---------

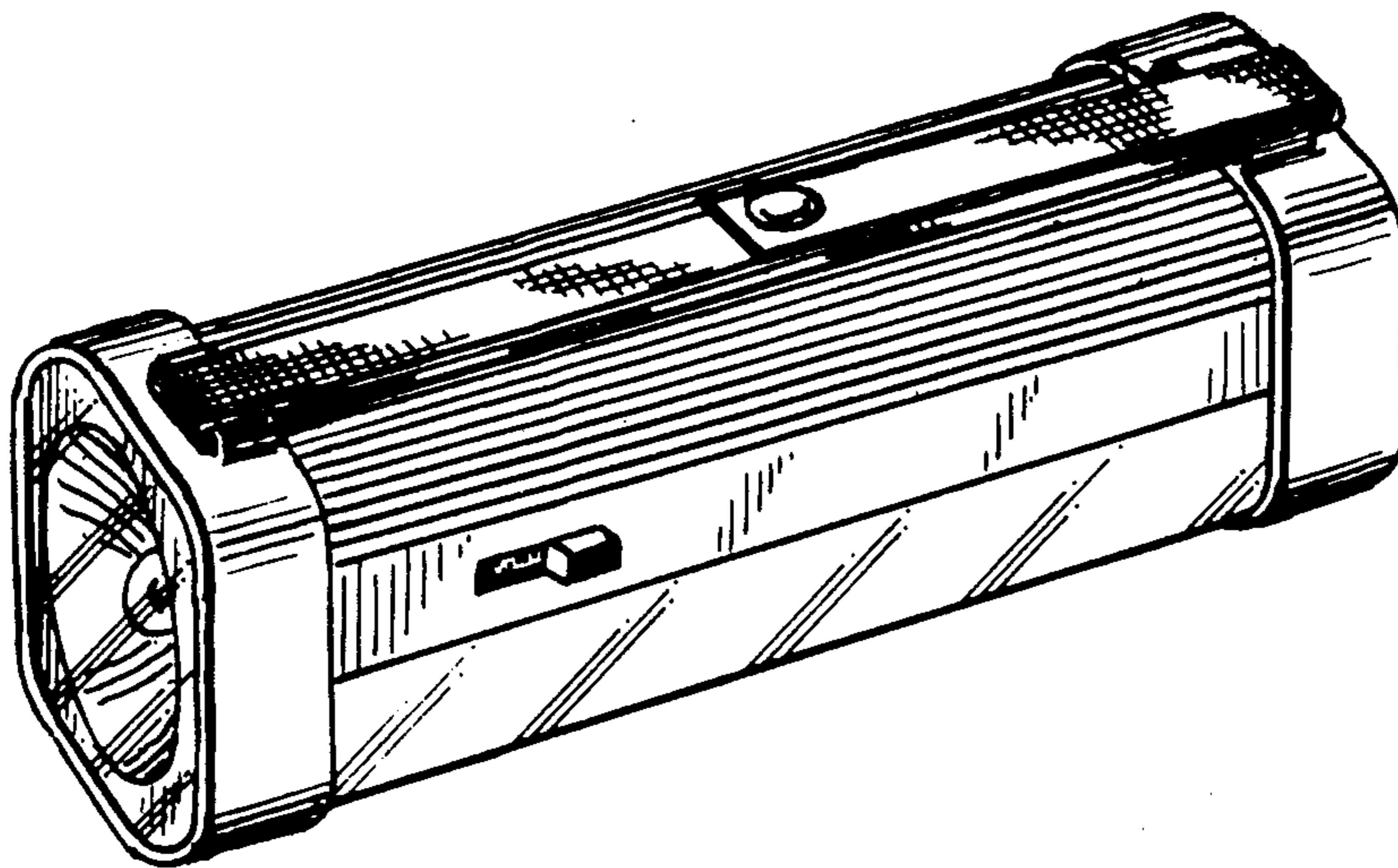
Primary Examiner—Susan J. Lucas  
Attorney, Agent, or Firm—Charles L. Lovercheck

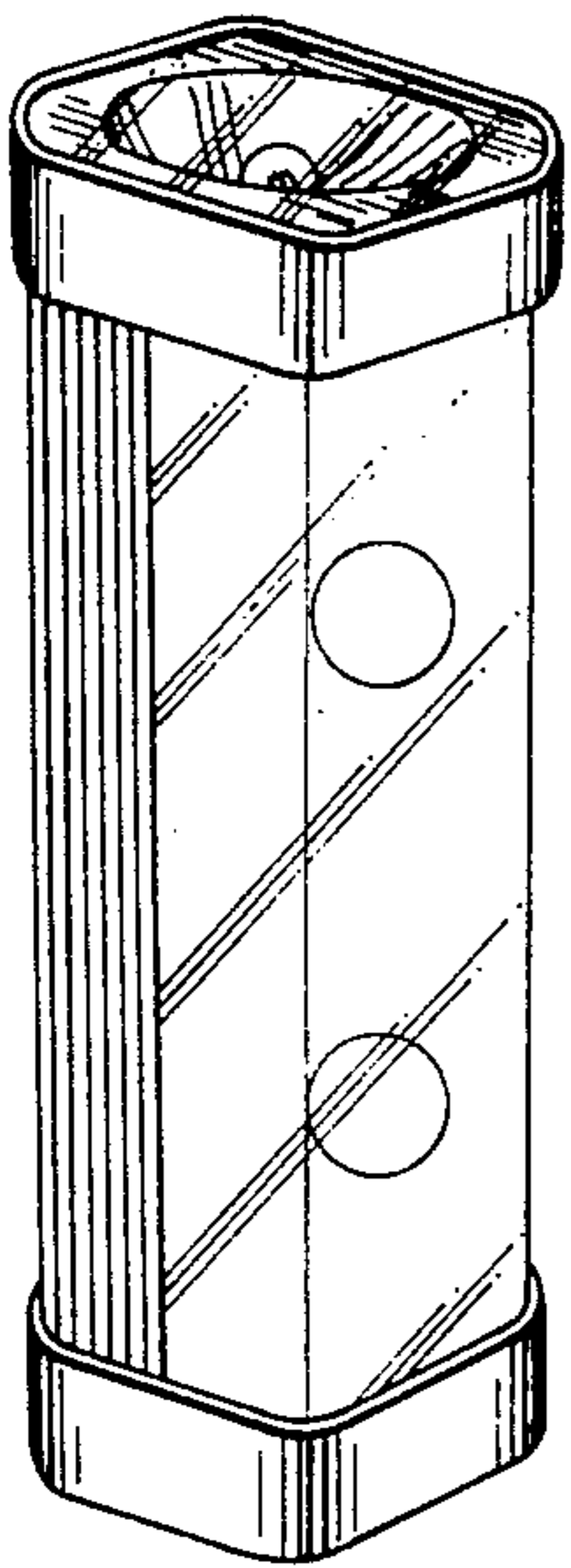
[57] CLAIM

The ornamental design for a combined portable spot/flood light, as shown and described.

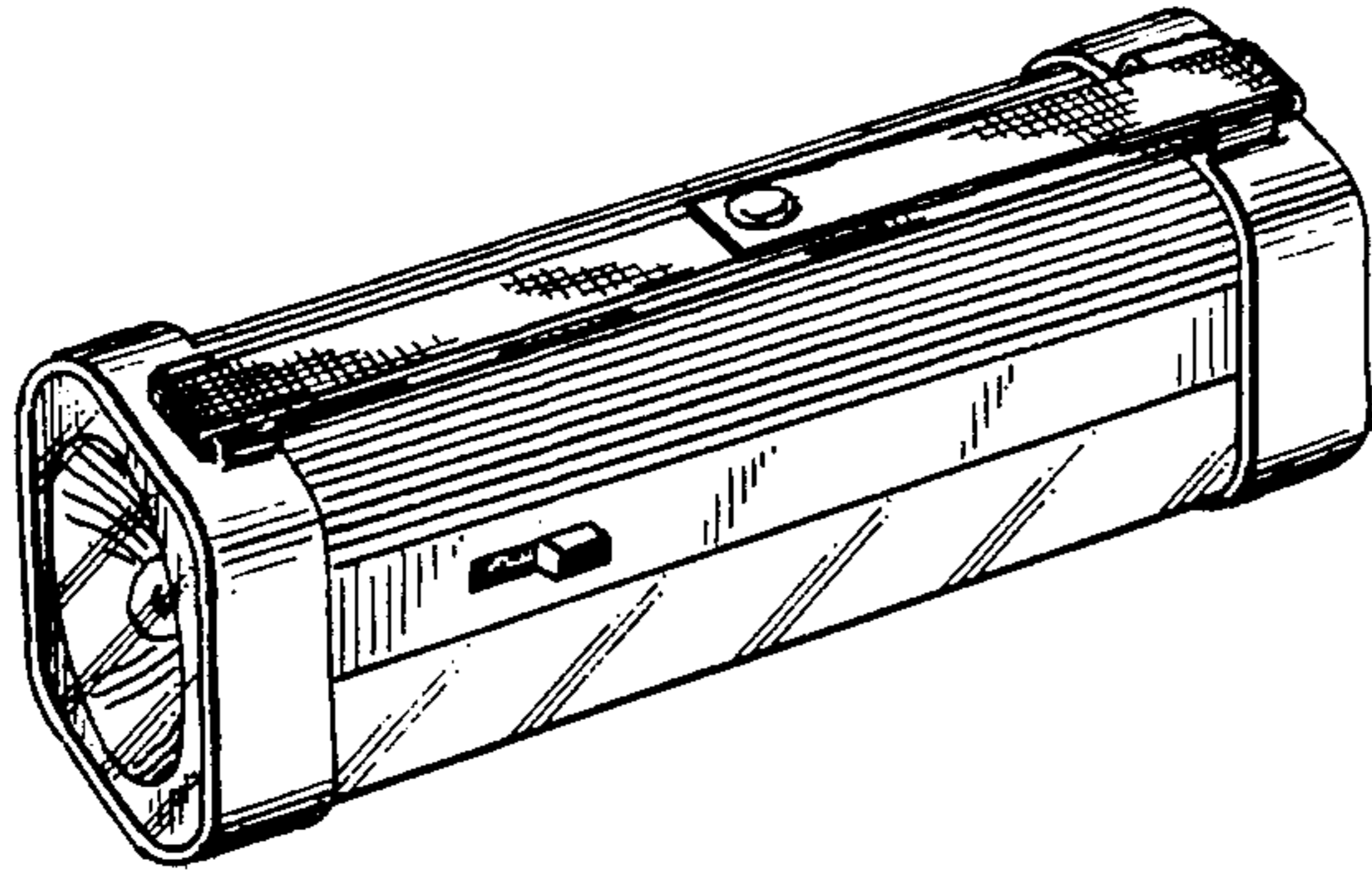
DESCRIPTION

FIG. 1 is an isometric view of a combined portable spot/flood light showing my new design.  
 FIG. 2 is a side view of the light shown in FIG. 1 on an enlarged scale.  
 FIG. 3 is a top view of the light shown in FIG. 1 on an enlarged scale.  
 FIG. 4 is a bottom view of the light shown in FIG. 1 on an enlarged scale.  
 FIG. 5 is an end view of the light.  
 FIG. 6 is a view of the end opposite that shown in FIG. 5.



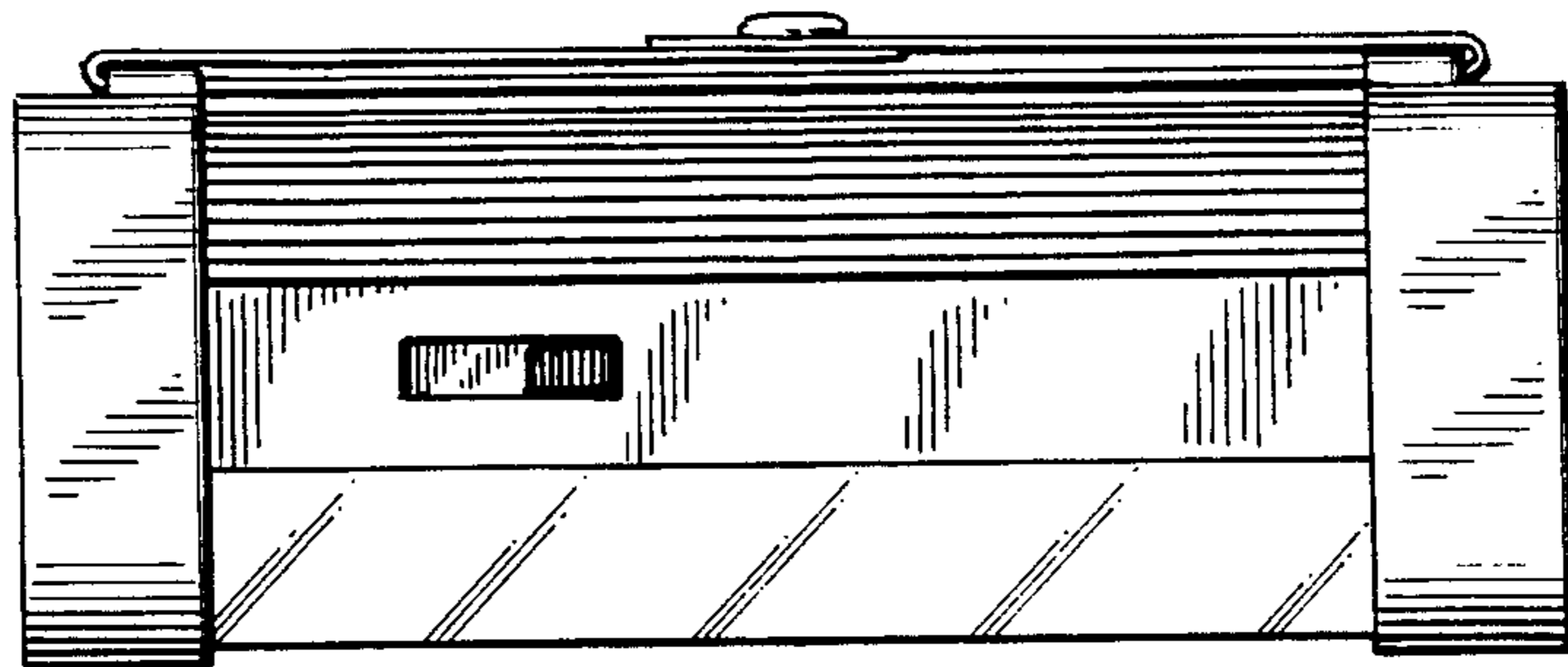


*FIG. 7.*

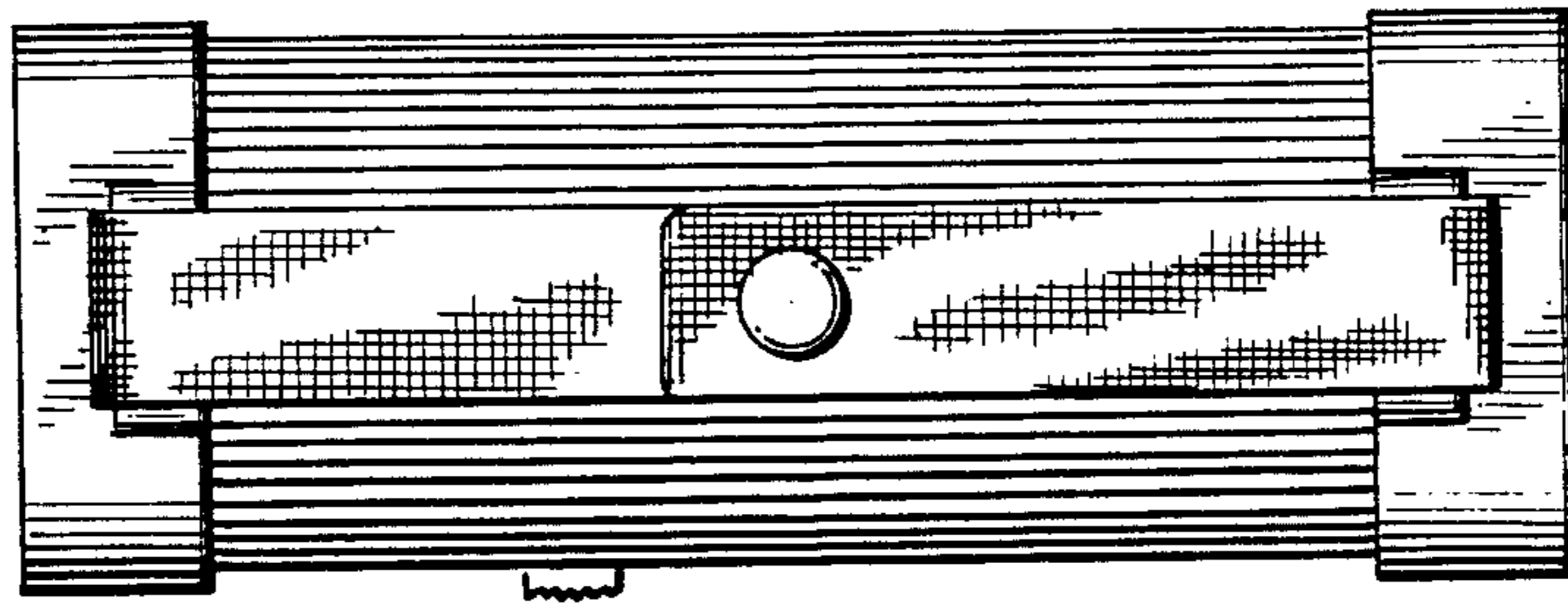


*FIG. 1.*

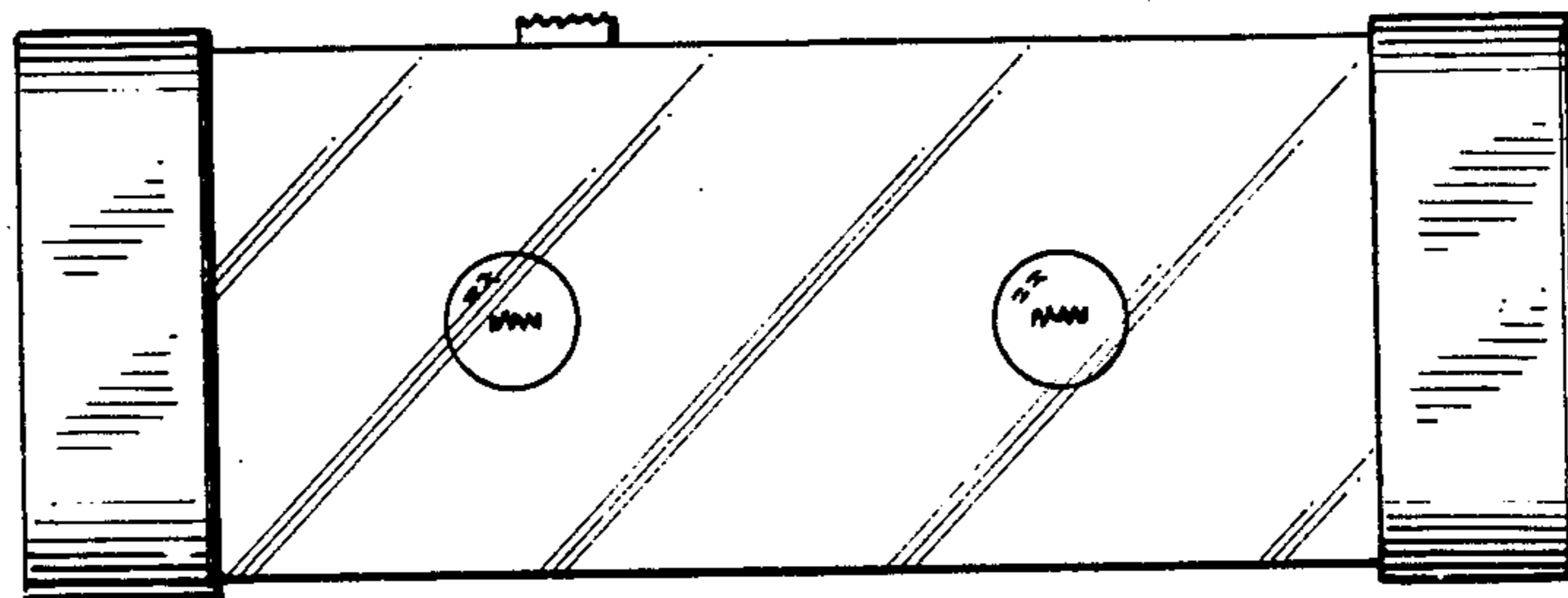
*FIG. 2.*



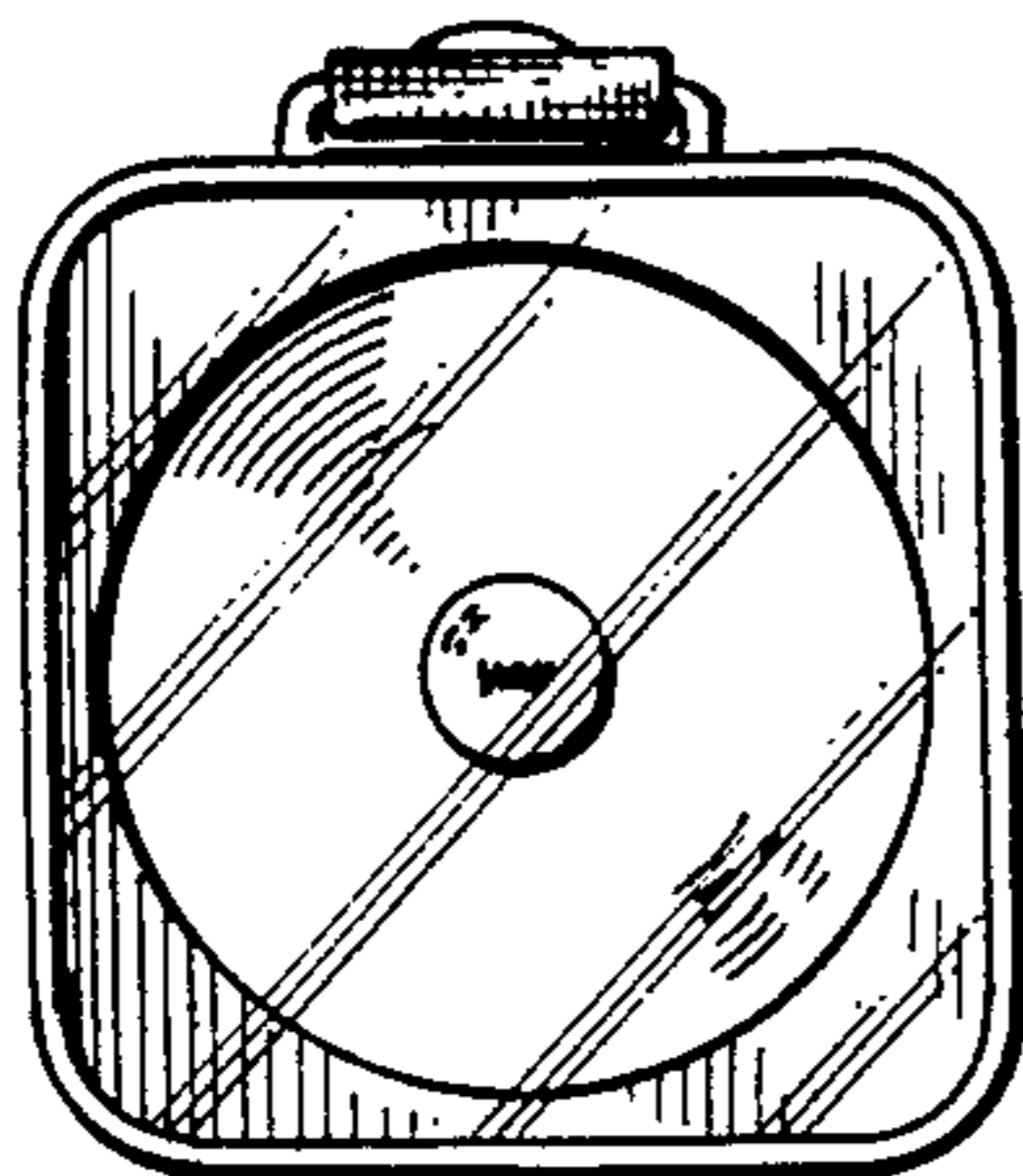
*FIG. 3.*



*FIG. 4.*



*FIG. 5.*



*FIG. 6.*

