

[54] SPECIMEN DEVICE

[75] Inventor: Carl J. Steigerwald, Wauconda, Ill.

[73] Assignee: The Kendall Company, Boston, Mass.

[**] Term: 14 Years

[21] Appl. No.: 898,004

[22] Filed: Apr. 20, 1978

[51] Int. Cl. D24-02

[52] U.S. Cl. D24/56; D9/216

[58] Field of Search 215/306, 295, 305; 220/375; D9/216, 249, 261; D24/56, 55, 21; 195/127, 139, DIG. 3

[56] References Cited

U.S. PATENT DOCUMENTS

D. 213,292	4/1969	Arsenault et al.	D24/56
D. 229,748	1/1974	White	D24/56
D. 250,129	10/1978	Skinner	D24/56
D. 250,481	12/1978	Whattam	D24/56

3,799,426	3/1974	Pates et al.	220/375 X
3,957,653	5/1976	Blecher	215/306

OTHER PUBLICATIONS

Cole-Parmer, Catalog 1977-1978, ©1976, p. 245, Miniature Polyvials, top left of page.

Primary Examiner—Bernard Ansher
Attorney, Agent, or Firm—Powell L. Sprunger

[57] CLAIM

The ornamental design for a specimen device, substantially as shown.

DESCRIPTION

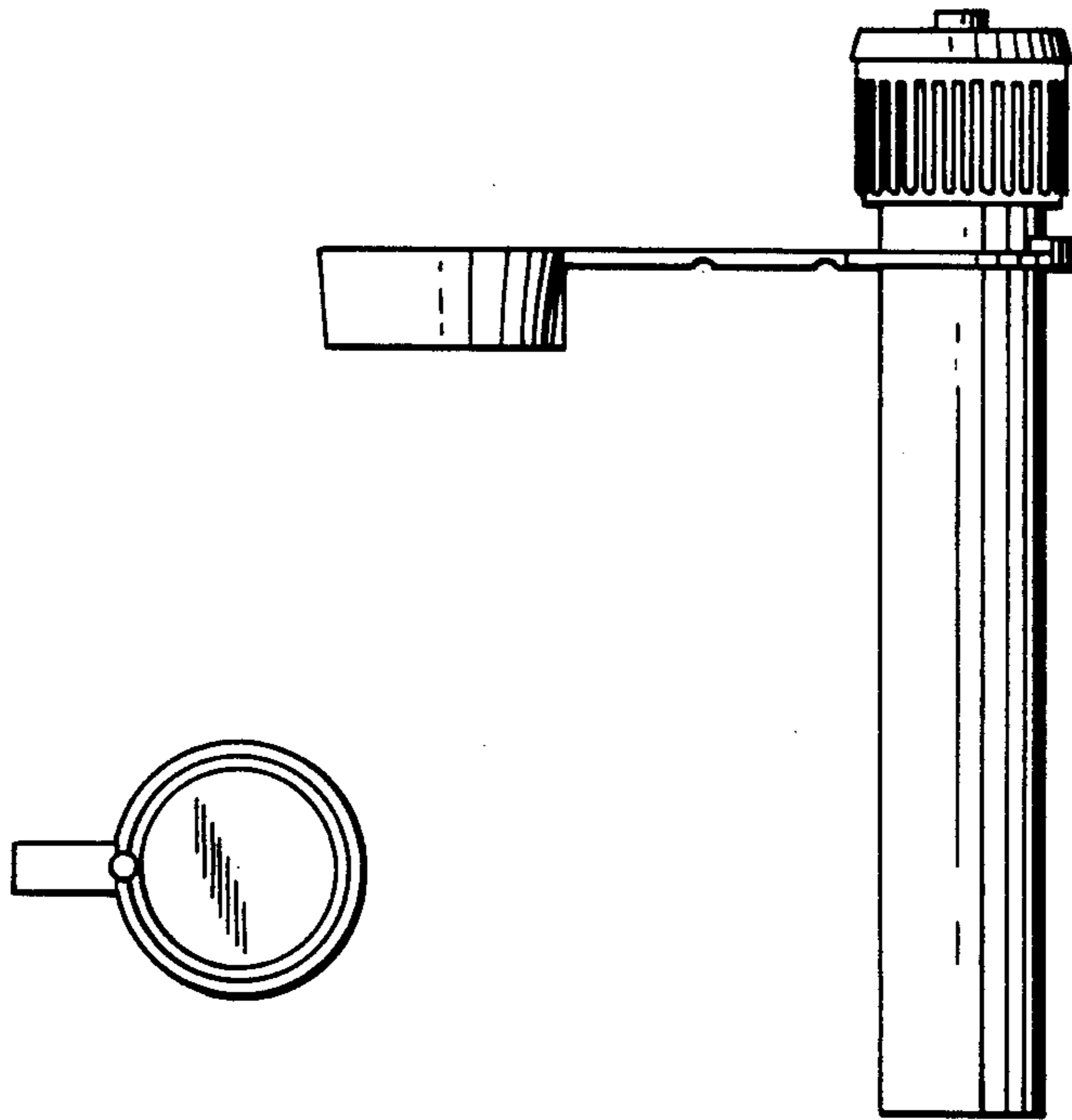
FIG. 1 is an elevational view of a specimen device embodying my new design with a cap removed from a vial of the device;

FIG. 2 is a top plan view of the device of FIG. 1;

FIG. 3 is an elevational view of the device with the cap on the vial;

FIG. 4 is a top plan view of the device of FIG. 3; and

FIG. 5 is a bottom plan view of the device of FIG. 3.



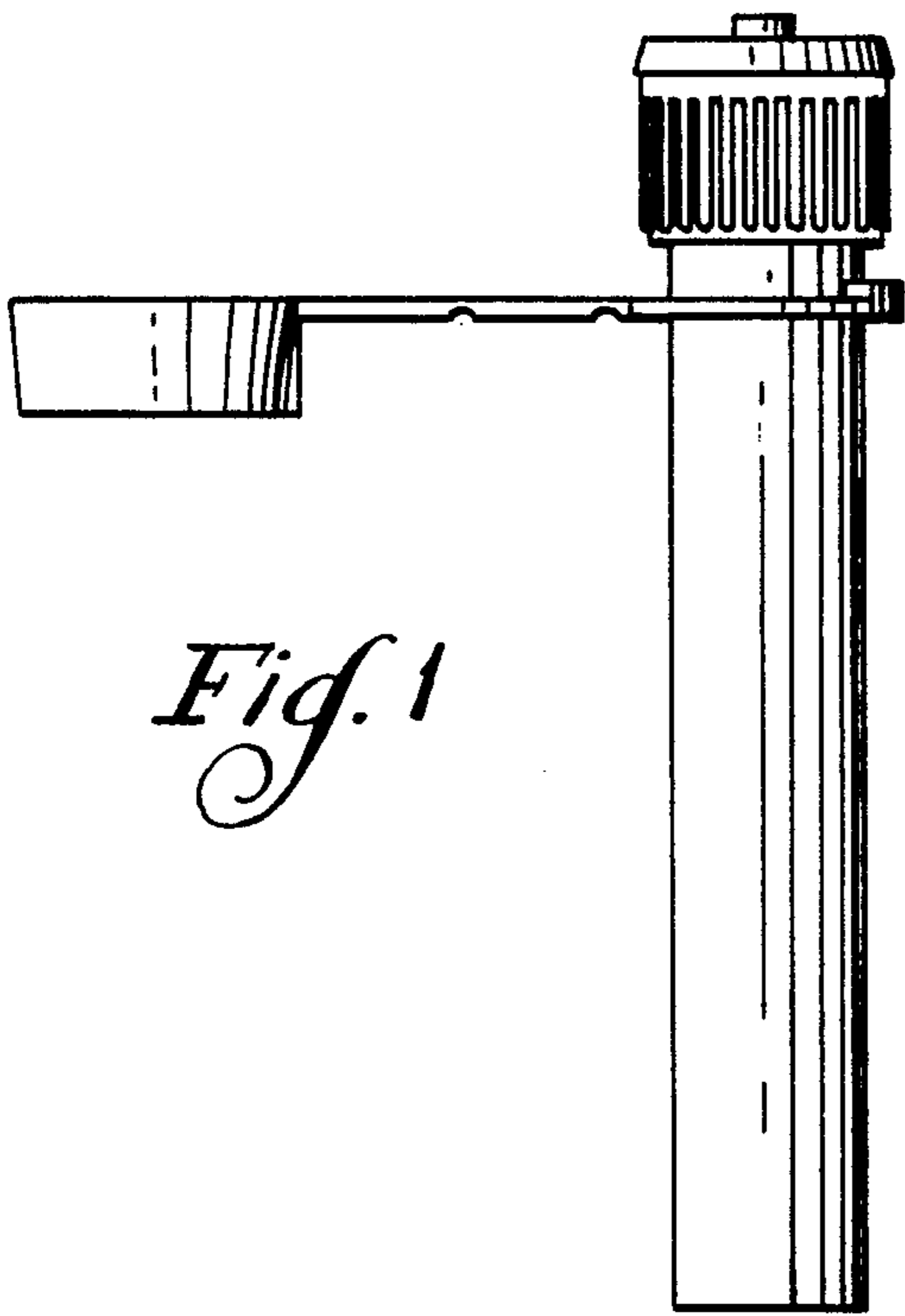


Fig. 1

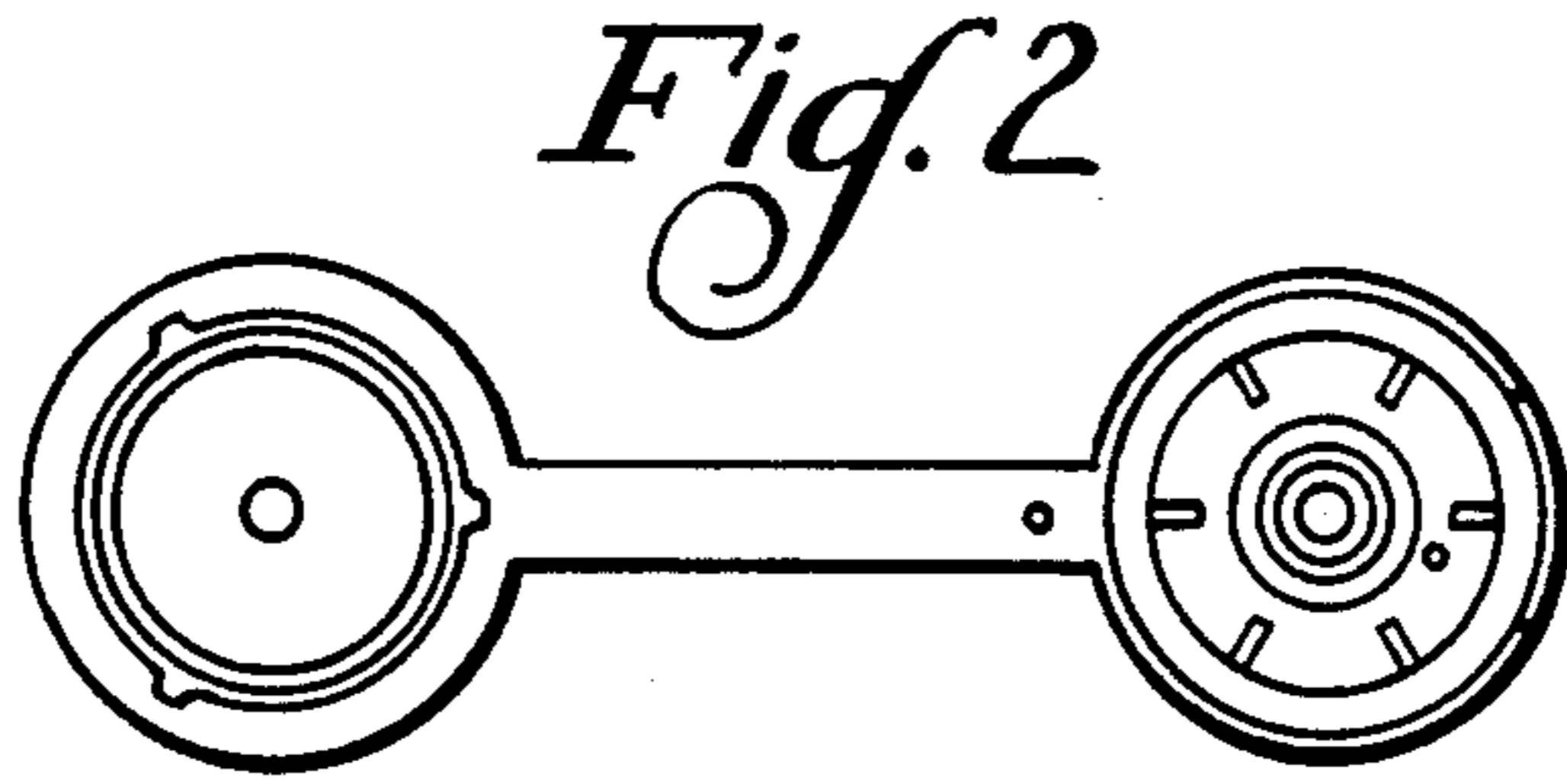


Fig. 2

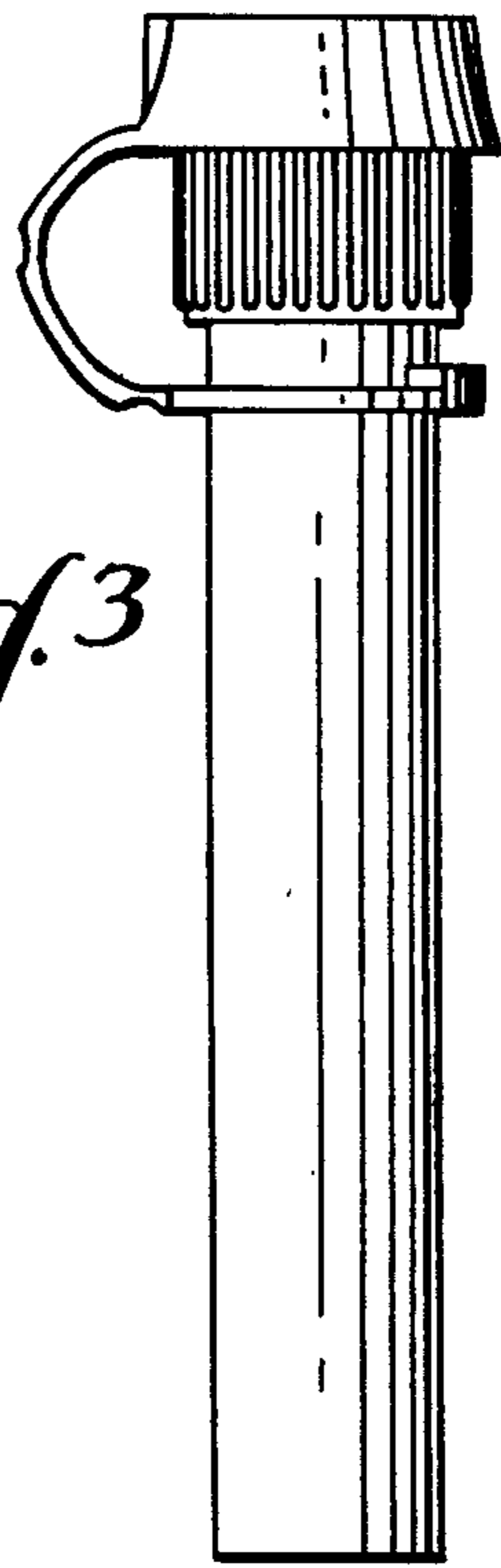


Fig. 3

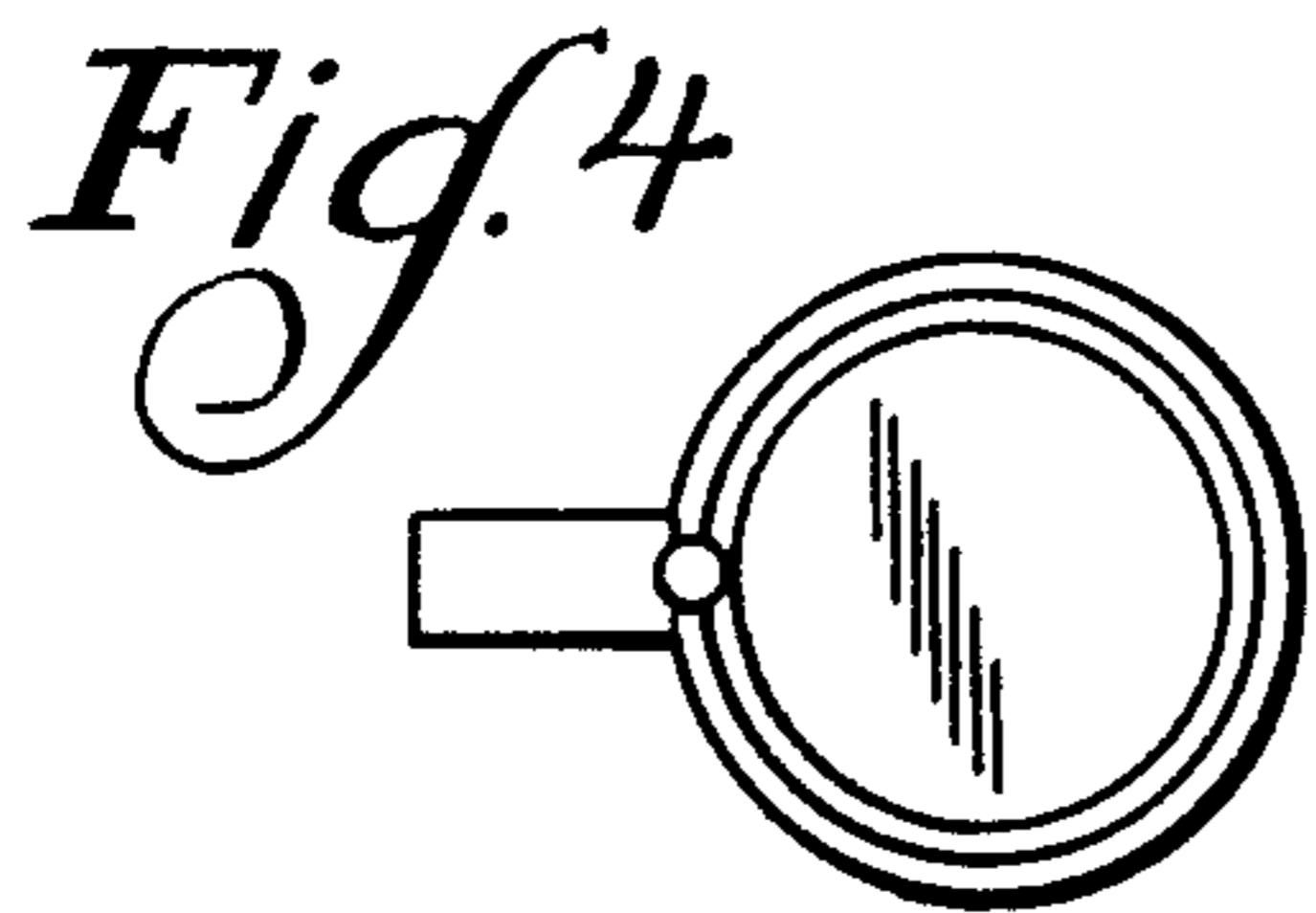


Fig. 4

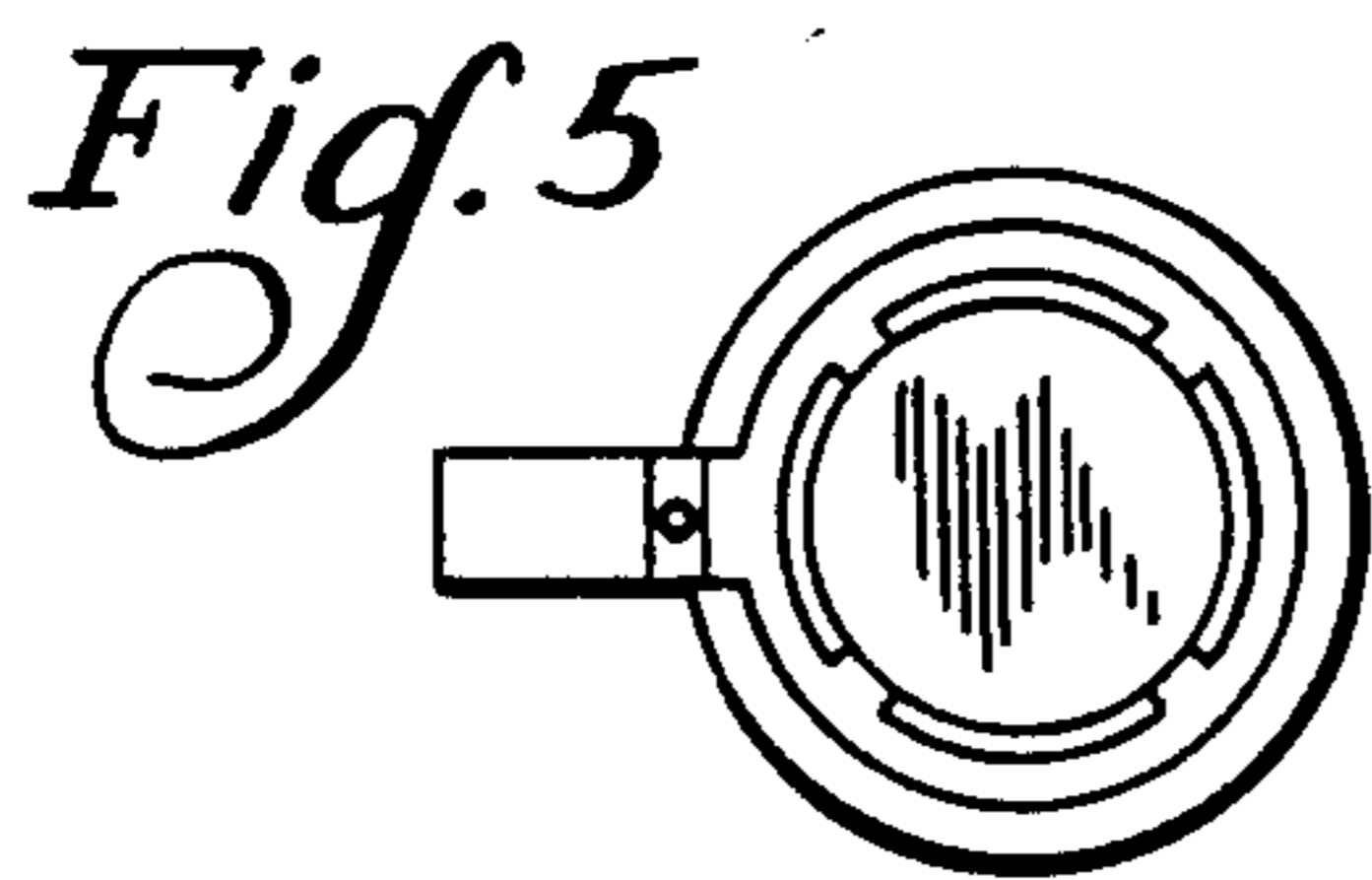


Fig. 5