

[54] FISHING SPINNING REEL BODY OR THE LIKE

[75] Inventors: Tetsuyuki Doi; Masakazu Sakamoto, both of Fukuyama, Japan

[73] Assignee: Ryobi Limited

[\*\*] Term: 14 Years

[21] Appl. No.: 886,858

[22] Filed: Mar. 15, 1978

[30] Foreign Application Priority Data

Sep. 21, 1977 [JP] Japan ..... 52-37906

[51] Int. Cl. .... D22-05

[52] U.S. Cl. .... D22/25

[58] Field of Search ..... D22/25, 26; 242/84.1 R, 242/84.1 S, 84.2 R-84.2 H, 84.21 A, 84.21 R

[56] References Cited

U.S. PATENT DOCUMENTS

D. 223,355	11/1972	Kuroki .....	D22/25
D. 230,590	3/1974	Koenecke .....	D22/25
D. 245,784	9/1977	Okada .....	D22/25
3,164,334	1/1965	Gris .....	D22/25 X

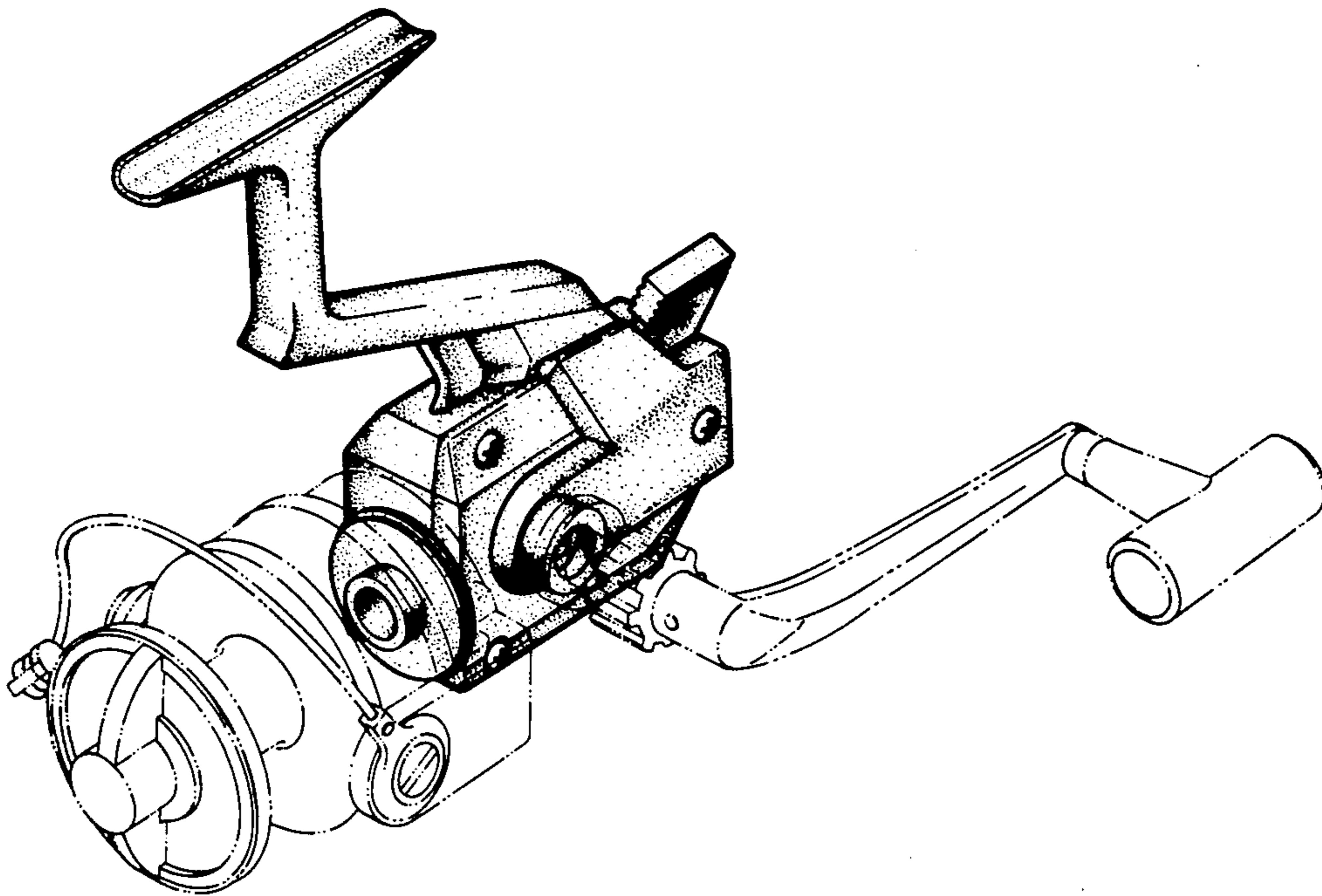
Primary Examiner—A. Hugo Word  
Attorney, Agent, or Firm—William Anthony Drucker

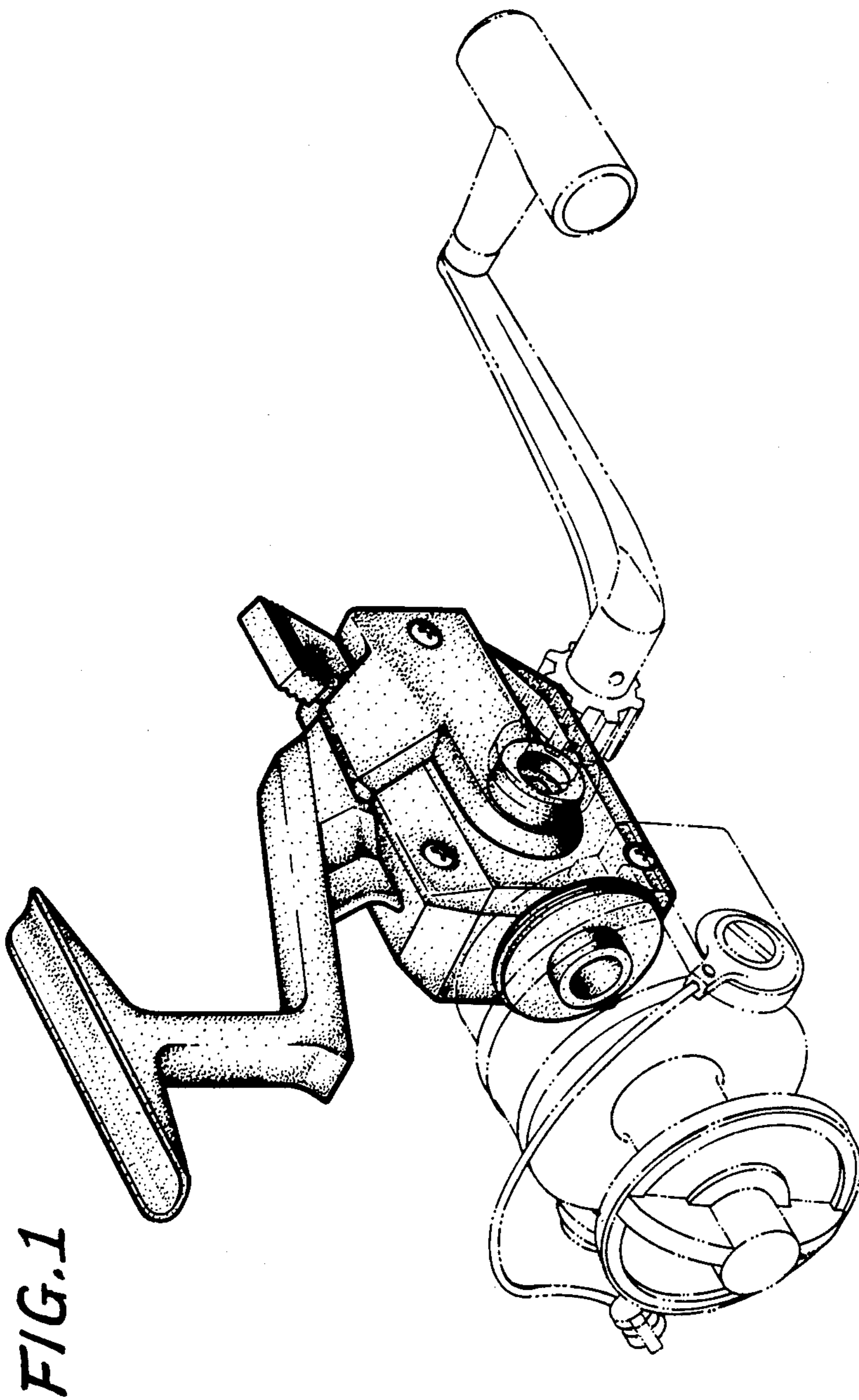
[57] CLAIM

The ornamental design for a fishing spinning reel body or the like, substantially as shown and described.

DESCRIPTION

FIG. 1 is an end perspective view of a fishing spinning reel body showing our new design, FIG. 2 is a perspective view thereof as seen from the opposite end, and FIG. 3 is a bottom view thereof. The broken line representation of a roter and a handle is for purposes of illustration only.





**FIG. 1**

