

[54] SCOOTER OR SIMILAR ARTICLE

[76] Inventor: Robert L. Lockhart, 1442 92nd Ave., Oakland, Calif. 94603

[\*\*] Term: 14 Years

[21] Appl. No.: 897,533

[22] Filed: Apr. 18, 1978

[51] Int. Cl. .... D21-01

[52] U.S. Cl. .... D21/81

[58] Field of Search ..... D21/81, 227, 226, 230; 280/229, 87.04 R, 87.04 A, 87.04 B, 87.01, 87.05

[56] References Cited

U.S. PATENT DOCUMENTS

D. 106,012	9/1937	Adams	.....	D21/81
D. 176,725	1/1956	Laibow	.....	D21/81
D. 221,965	9/1971	Jeunesse	.....	D21/81

OTHER PUBLICATIONS

Toys, 8-1976, p. 27, "Radio Flyer Scooter".

Primary Examiner—Charles A. Rademaker  
Attorney, Agent, or Firm—Theodore J. Bielen, Jr.

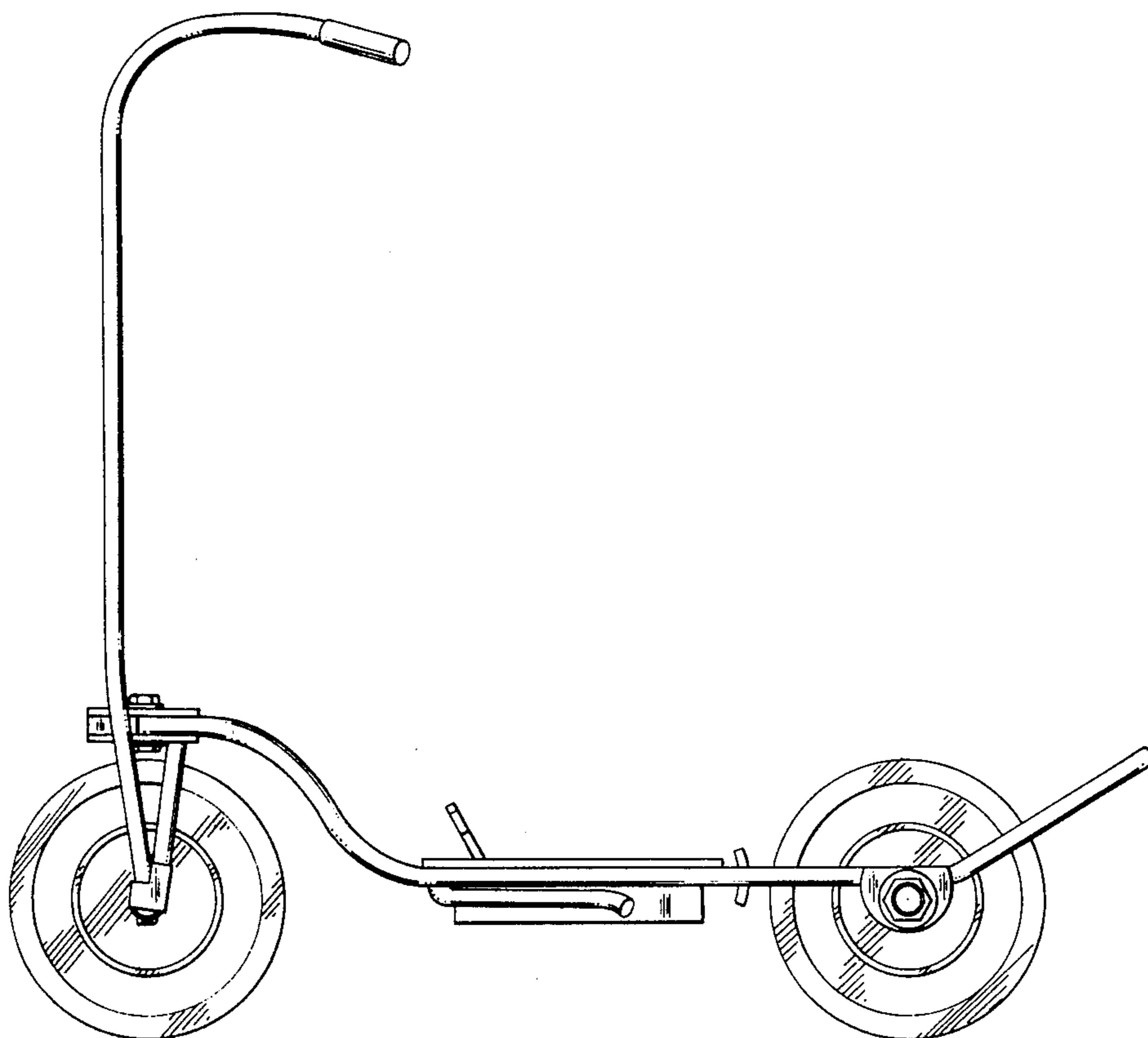
[57] CLAIM

The ornamental design for a scooter or similar article, substantially as shown and described.

DESCRIPTION

FIG. 1 is a front elevational view of a scooter or similar article showing my new design;  
FIG. 2 is a right side elevational view;  
FIG. 3 is a top plan view;  
FIG. 4 is a rear elevational view;  
FIG. 5 is a left side elevational view; and  
FIG. 6 is a bottom plan view.

Portions of the tubular support members have been shown in fragment in FIGS. 1 and 4 for ease of illustration. The texture fragmentarily shown on the wheel members in FIGS. 1, 3, 4, and 6 represents and overall texture.



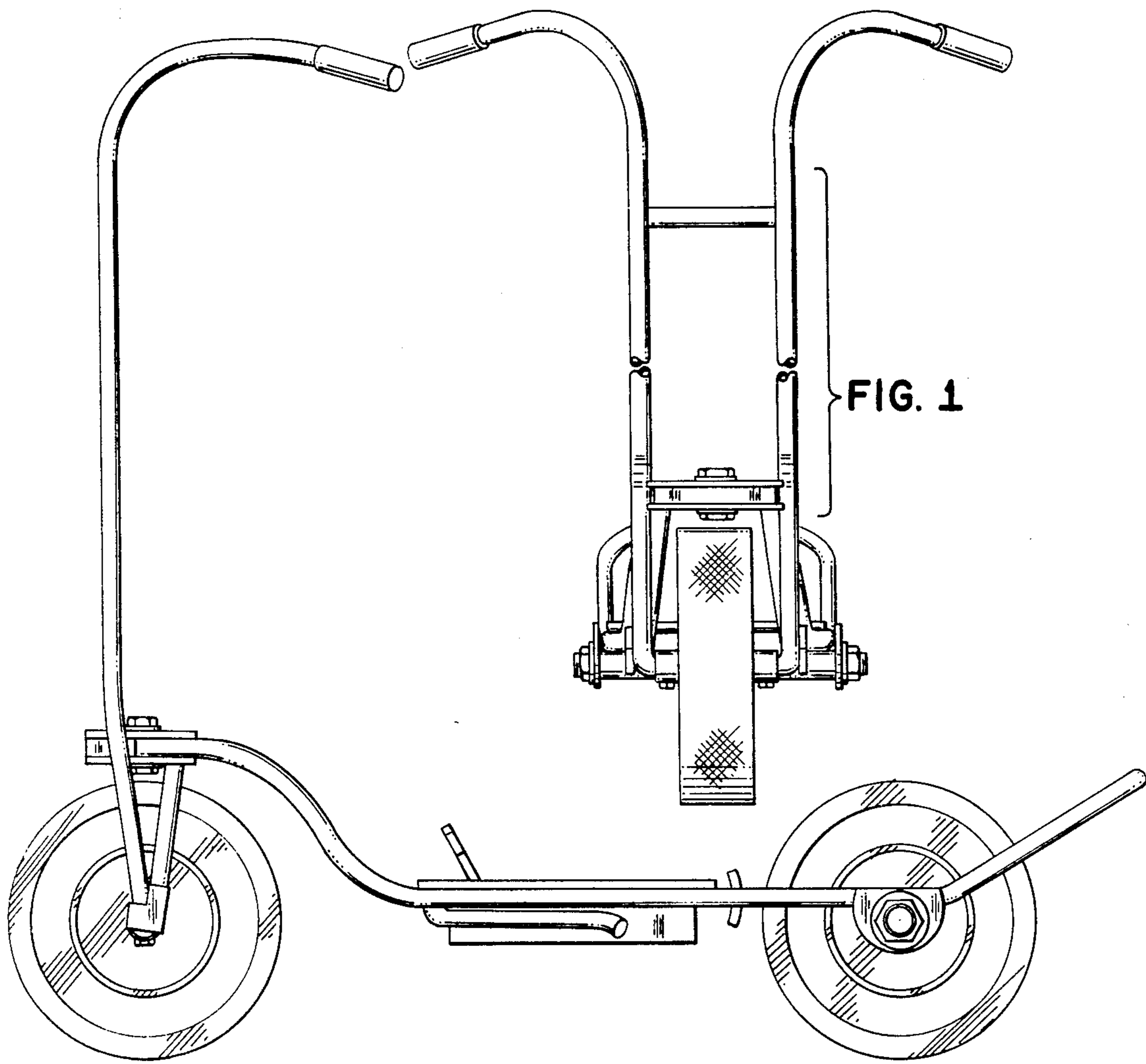


FIG. 1

FIG. 2

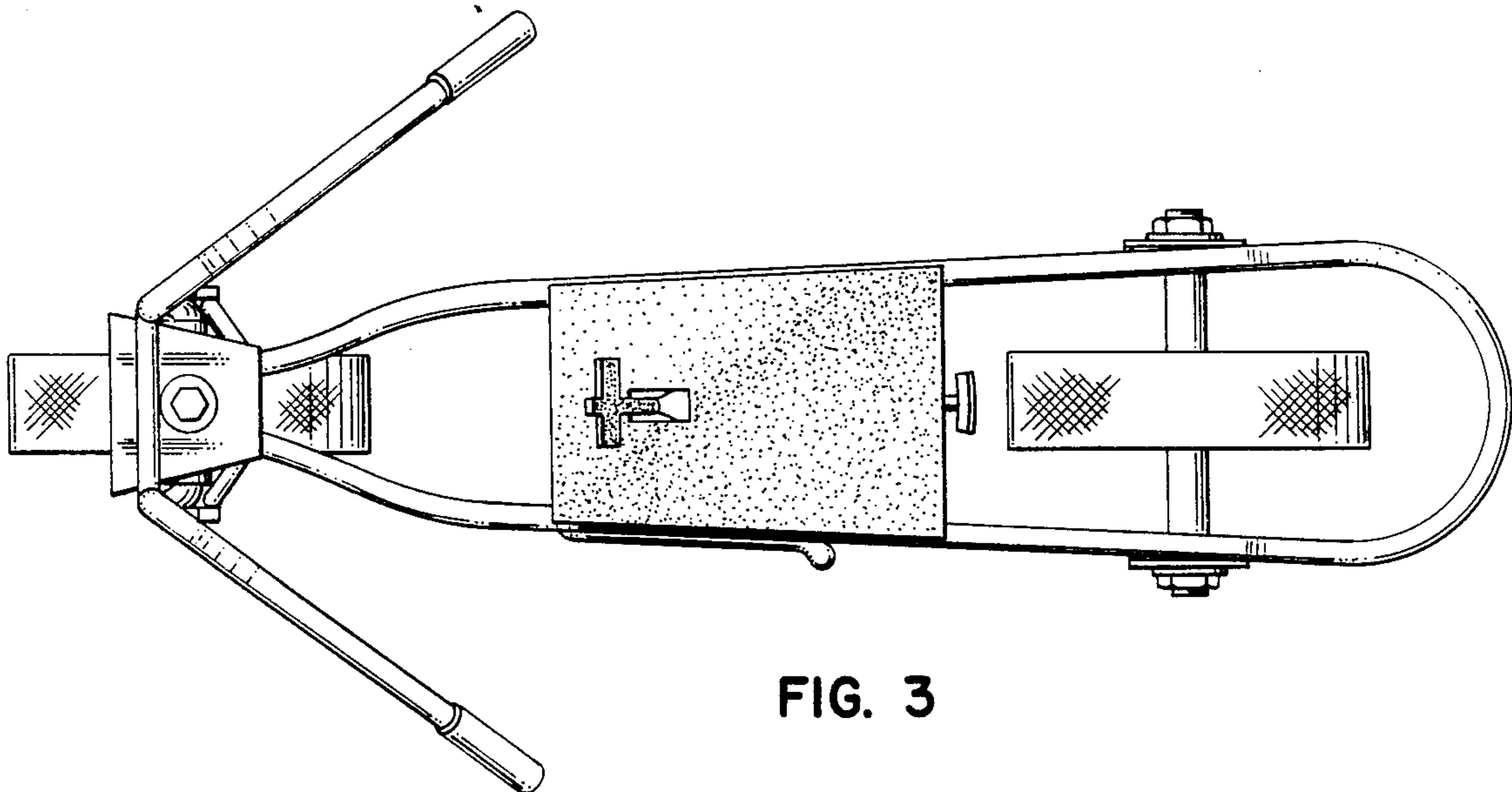


FIG. 3

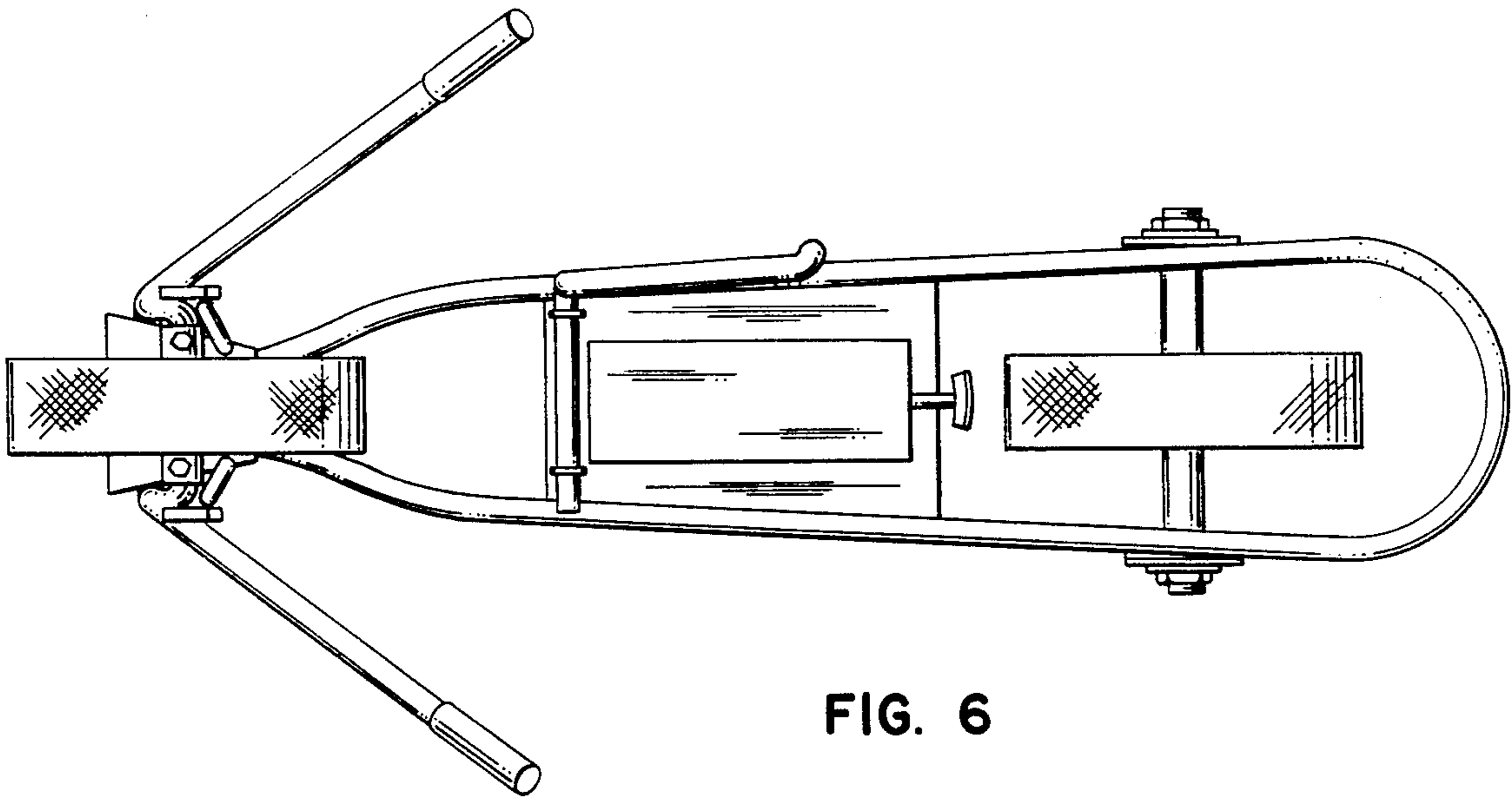


FIG. 6

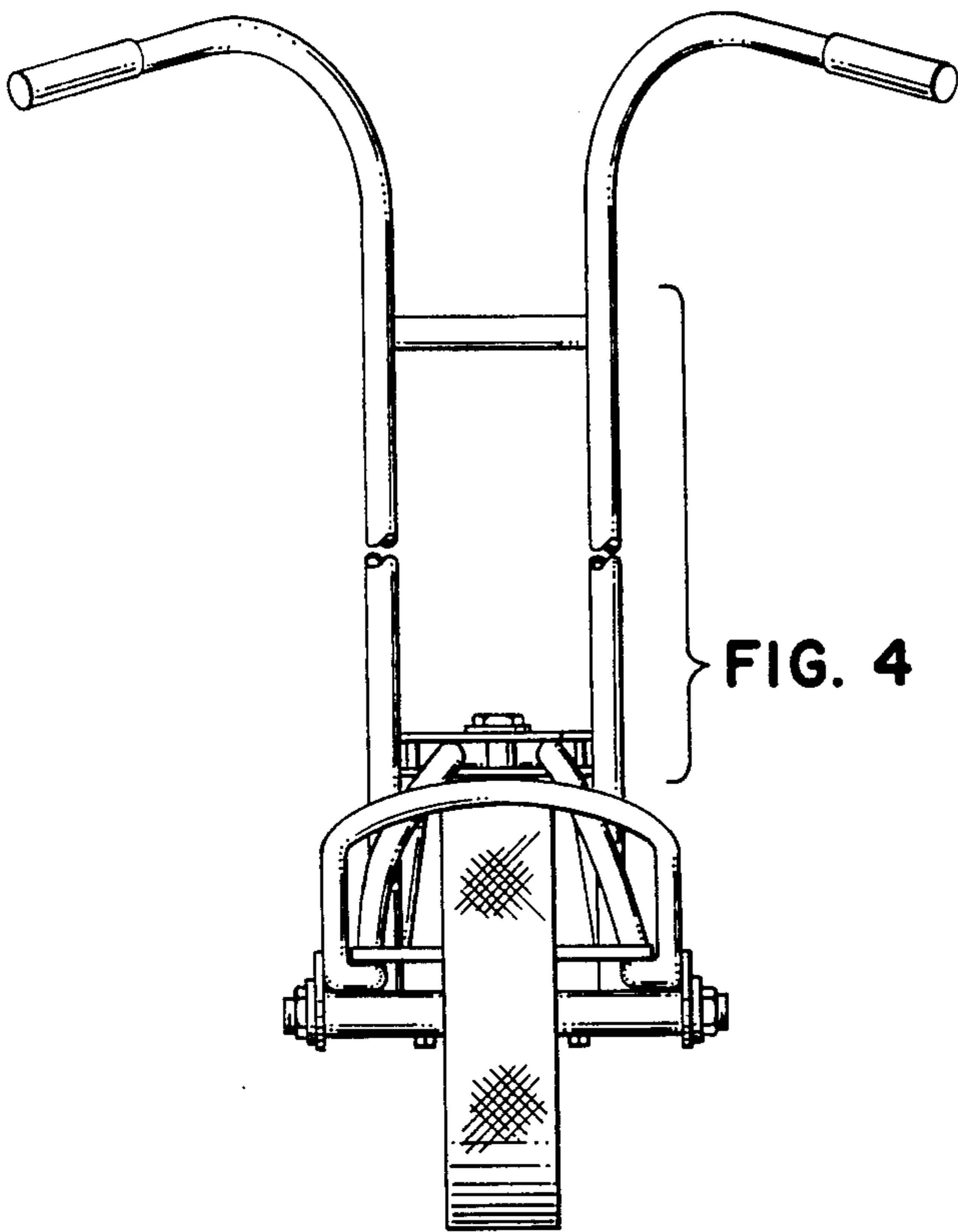


FIG. 4

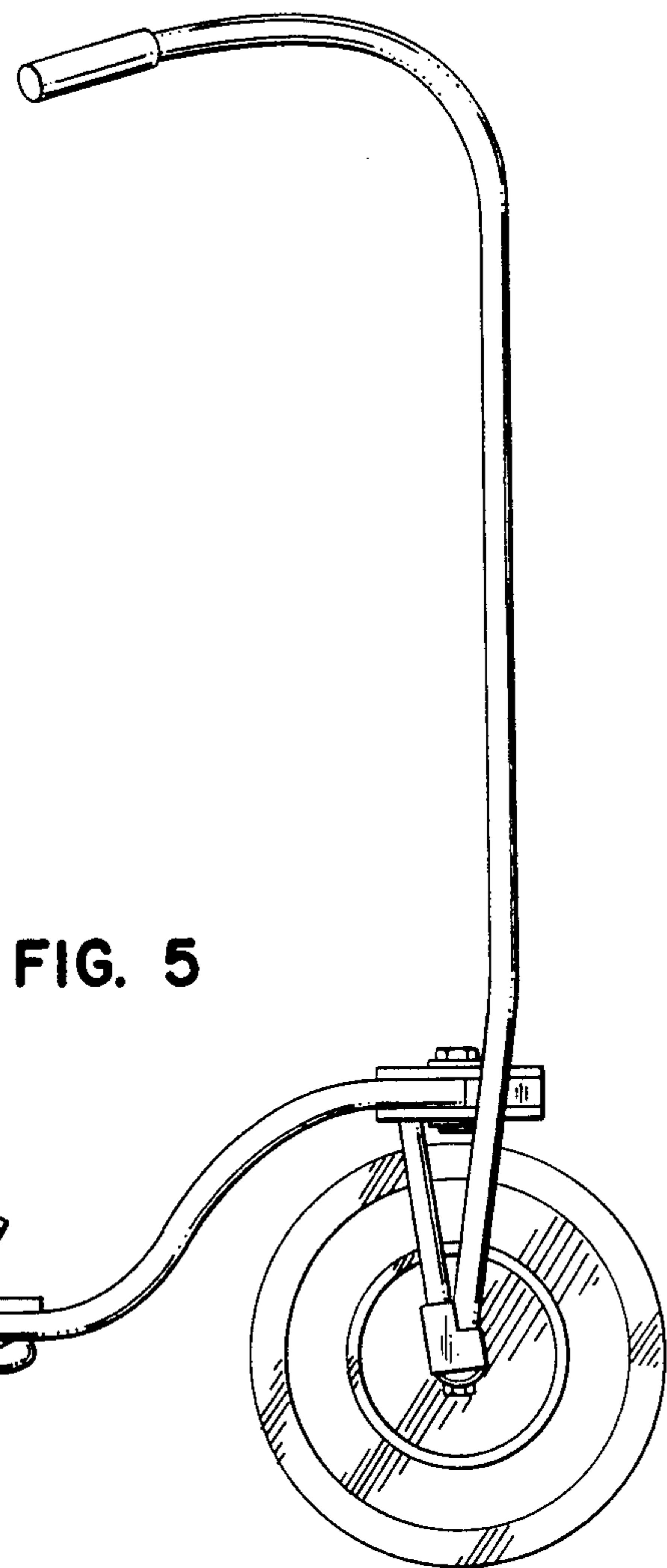


FIG. 5