

[54] CARD AND CHIP RACK

[76] Inventor: Lee A. Beaman, 3312 NE. 259th St., Ridgefield, Wash. 98642

[**] Term: 14 Years

[21] Appl. No.: 912,242

[22] Filed: Jun. 5, 1978

[51] Int. Cl. D21-01

[52] U.S. Cl. D21/55

[58] Field of Search D21/55, 54, 56; 273/148 A

[56] References Cited

U.S. PATENT DOCUMENTS

D. 132,360 5/1942 Gardner D21/54

D. 160,166 9/1950 Greitzer D21/55
D. 161,157 12/1950 Browning D21/54
D. 181,760 12/1957 Swenson D21/55

Primary Examiner—Melvin B. Feifer
Attorney, Agent, or Firm—J. Pierre Kolisch

[57] CLAIM

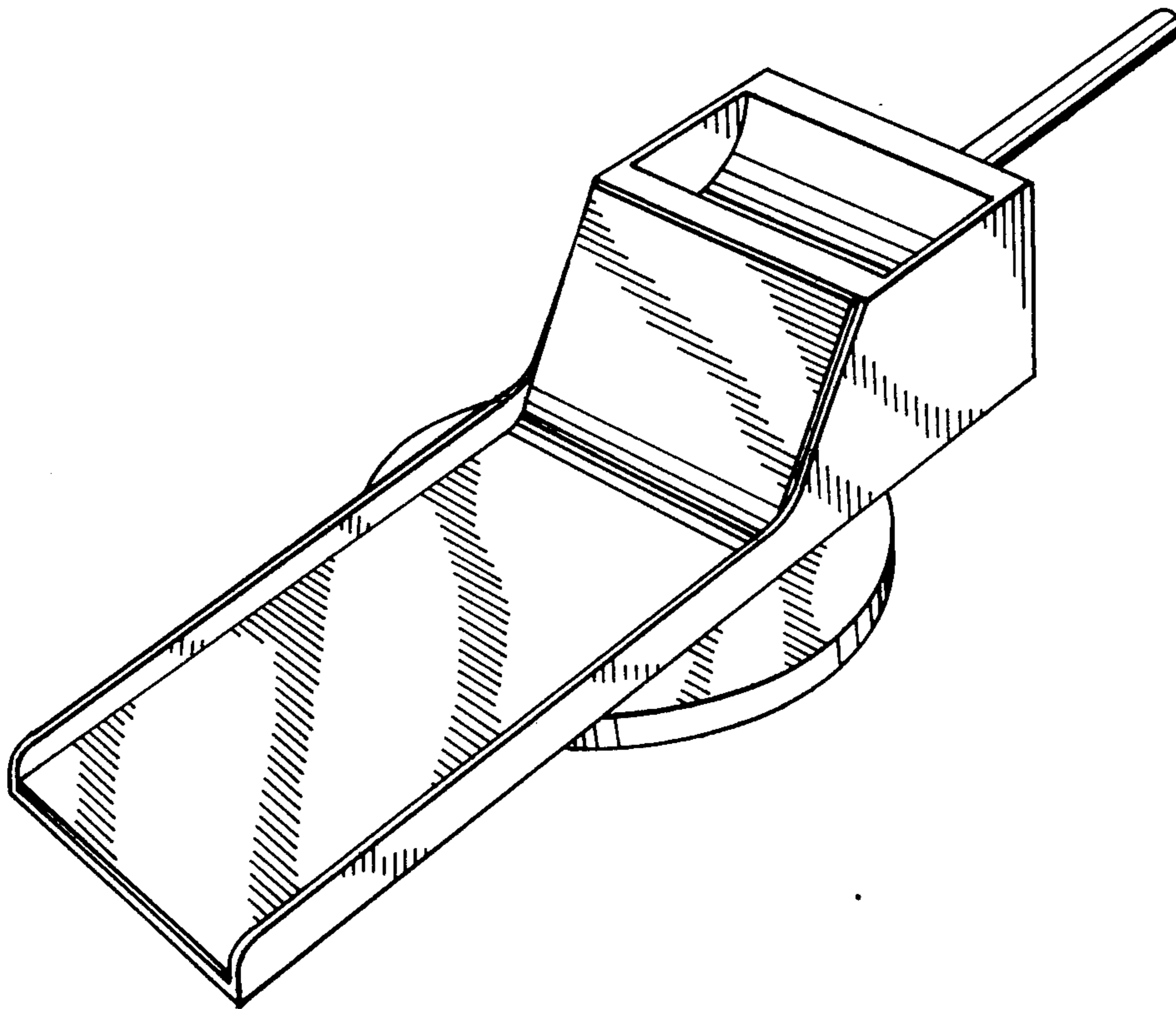
The ornamental design for card and chip rack, as shown.

DESCRIPTION

FIG. 1 is a top perspective view showing the front, top, and one side of a card and chip rack showing my new design; and

FIG. 2 is a perspective view illustrating the back, bottom, and opposite side of the rack; and

FIG. 3 is a side elevation view of the device.



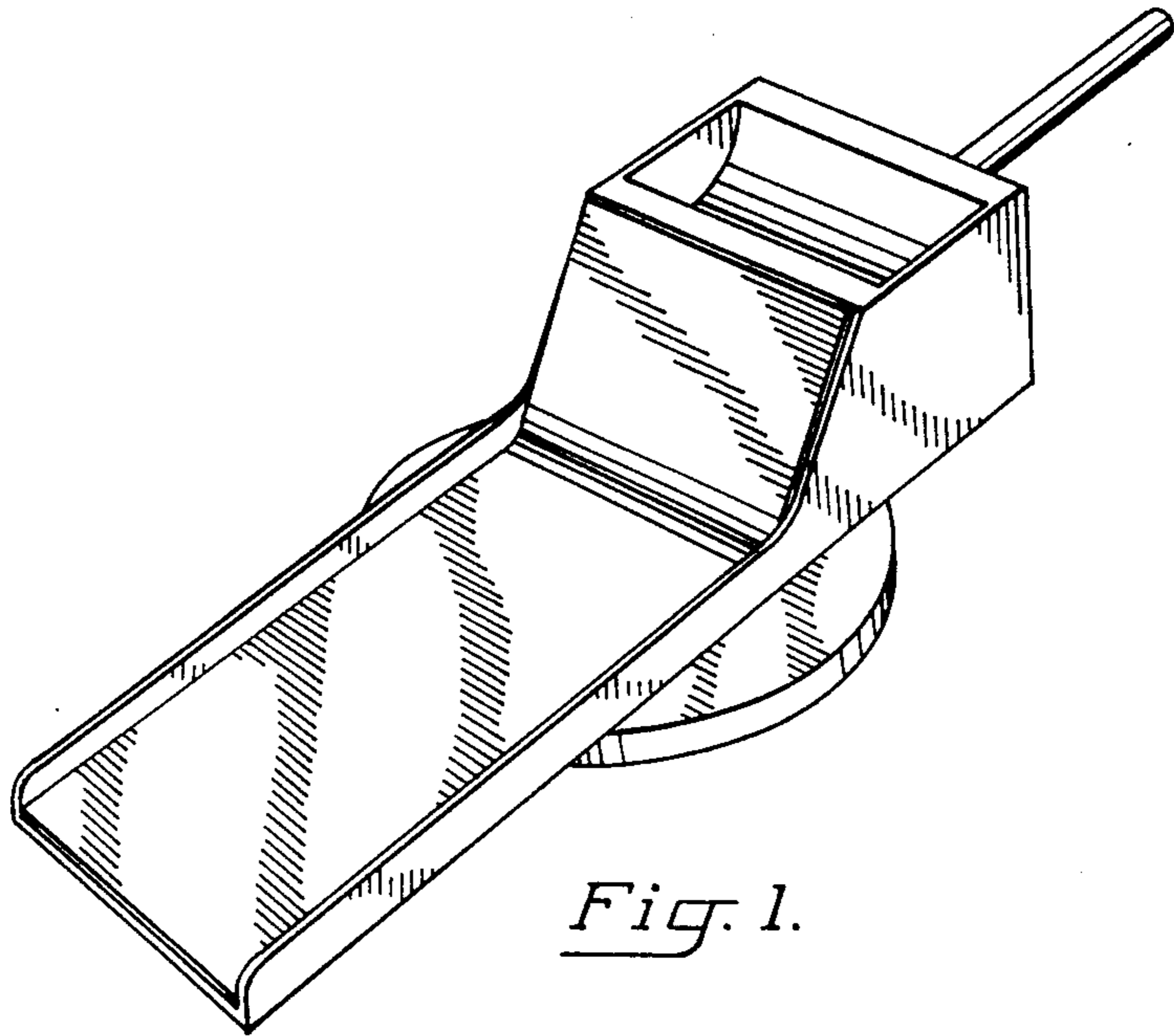


Fig. 1.

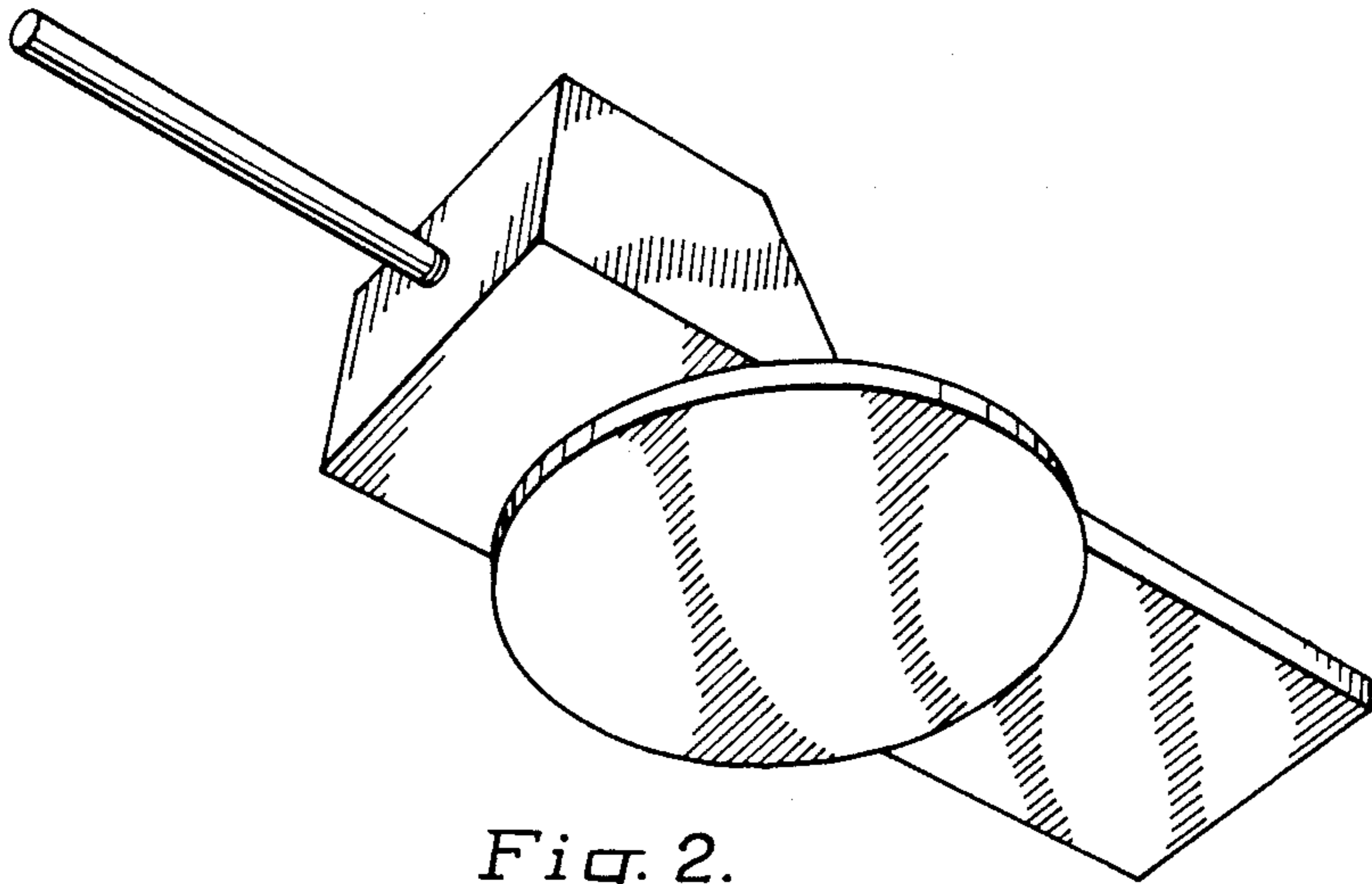


Fig. 2.

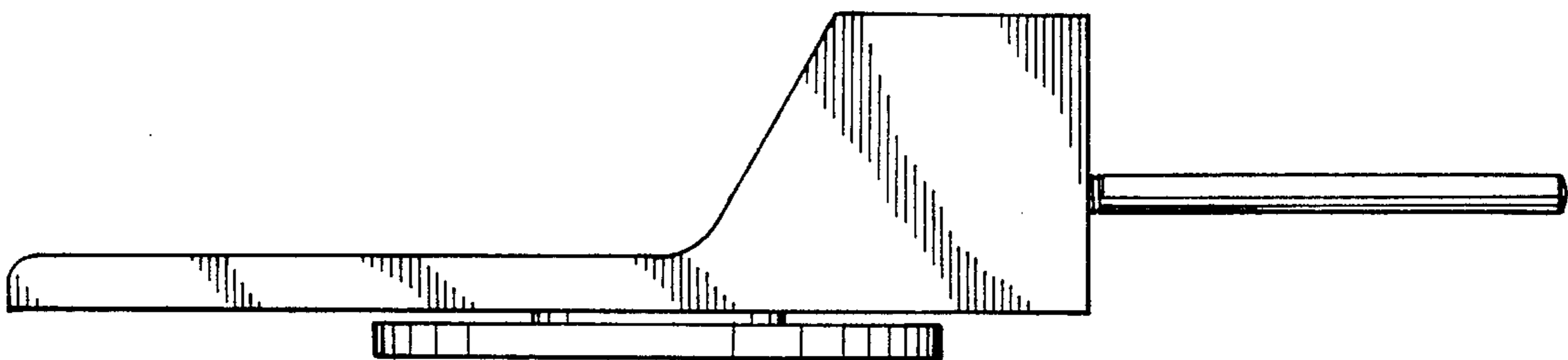


Fig. 3.