

[54] HINGED TOP CARD FILE

[75] Inventors: James F. Hampshire; Greg P. Terek; Richard C. Sankovich, all of Winchester, Va.

[73] Assignee: Rubbermaid Commercial Products Inc., Winchester, Va.

[\*\*] Term: 14 Years

[21] Appl. No.: 859,955

[22] Filed: Dec. 12, 1977

[51] Int. Cl. .... D19-02

[52] U.S. Cl. .... D19/76

[58] Field of Search ..... D19/65, 75, 76, 78, D19/86, 90, 92, 99; D87/1 R; 206/425, 557; D6/167; 220/22.1-22.5; D9/230, 231, 234

[56] References Cited

U.S. PATENT DOCUMENTS

D. 221,264	7/1971	Brown .....	D19/90
D. 227,327	6/1973	Tucker .....	D6/167
D. 243,526	3/1977	Overman .....	D19/76

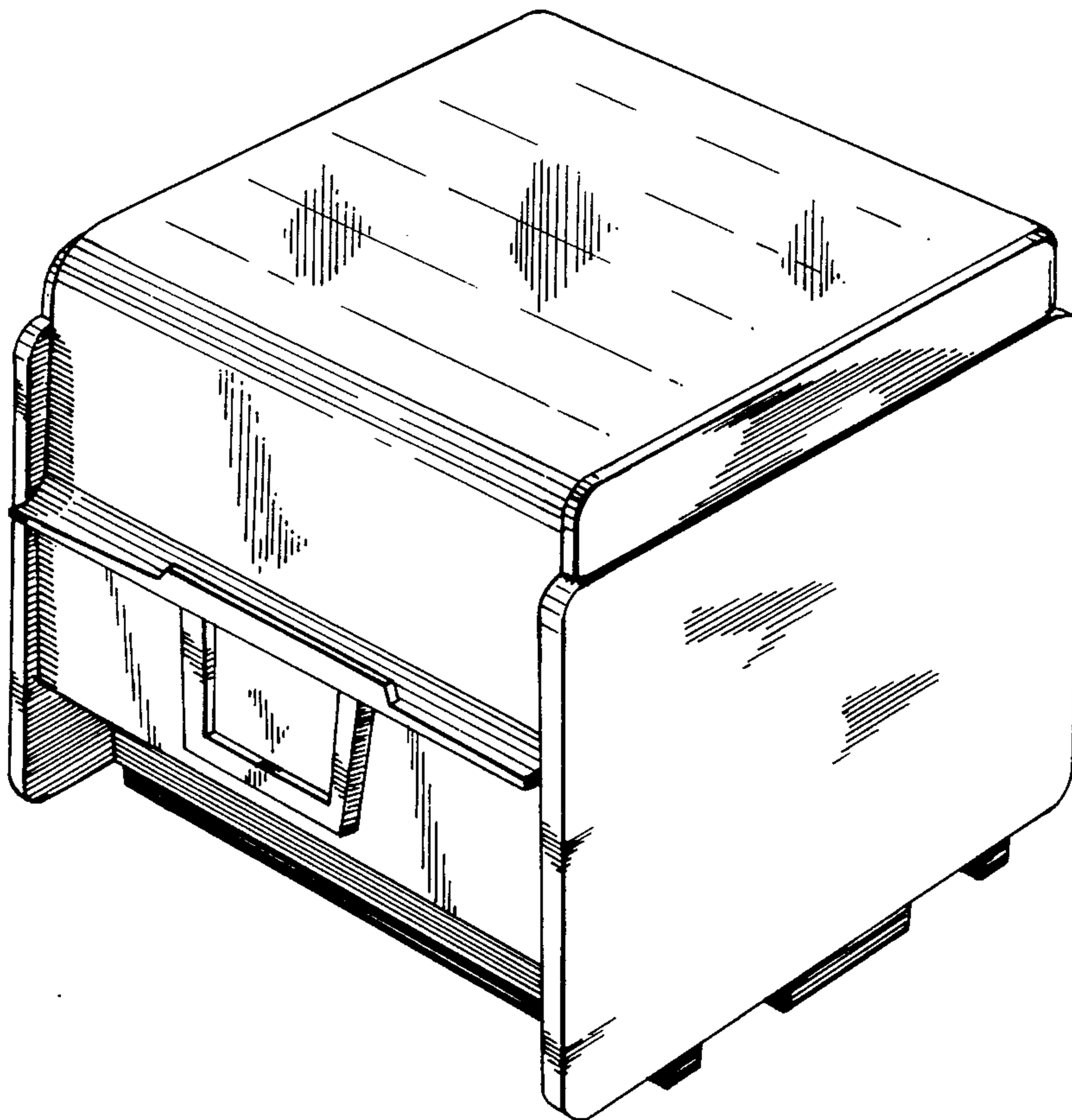
Primary Examiner—Joel Stearman  
Assistant Examiner—George P. Word  
Attorney, Agent, or Firm—E. R. Hamilton

[57] CLAIM

The ornamental design for a hinged top card file, as shown and described.

DESCRIPTION

FIG. 1 is a perspective view of a hinged top card file showing our new design;  
FIG. 2 is an exploded perspective view thereof;  
FIG. 3 is a top plan view thereof with the cover portion omitted;  
FIG. 4 is a bottom plan view thereof;  
FIG. 5 is a rear elevational view of the hinged top card file with the cover in closed position.  
The interior surfaces of the cover are smooth plane surfaces.



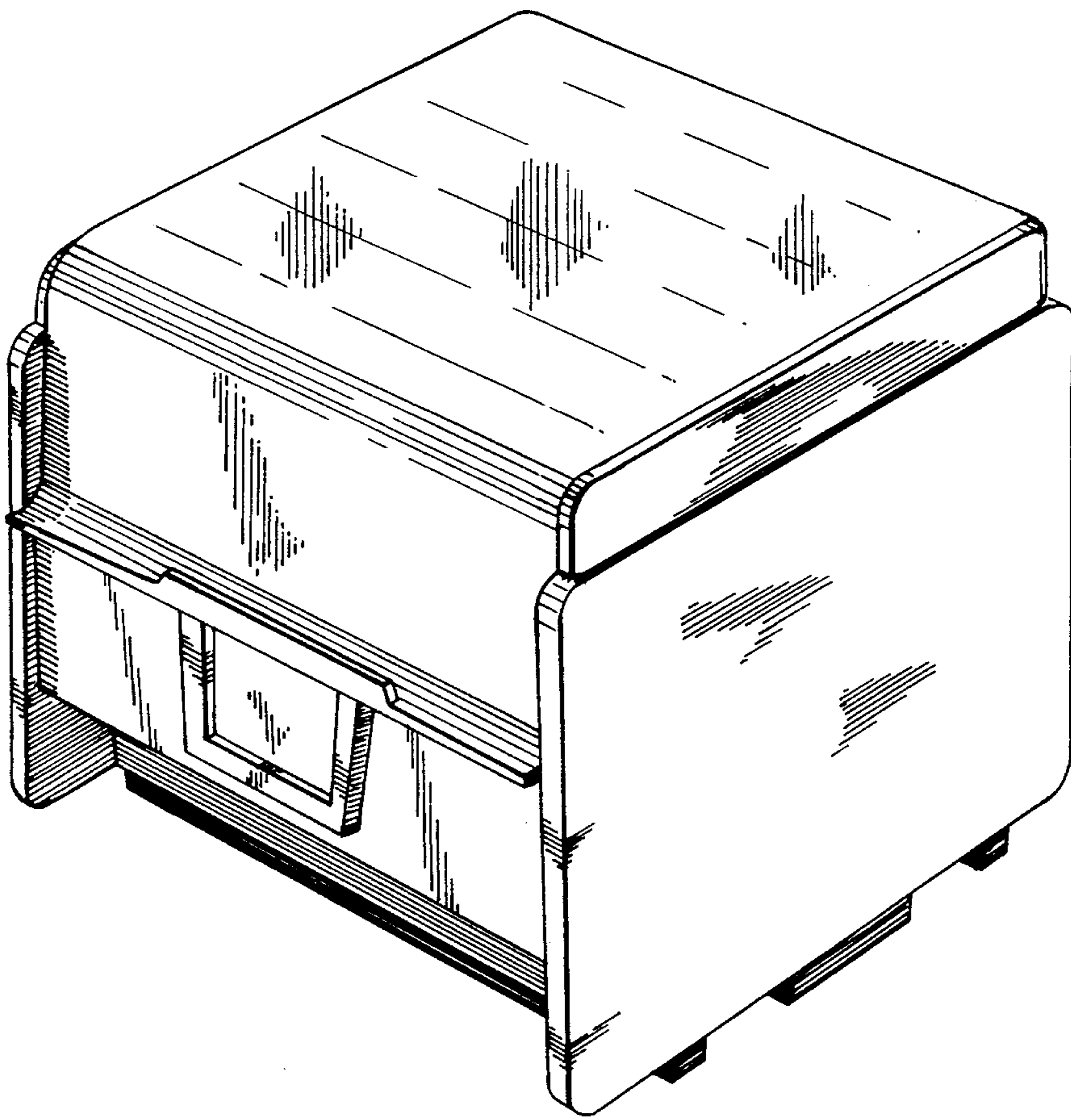


FIG. 1

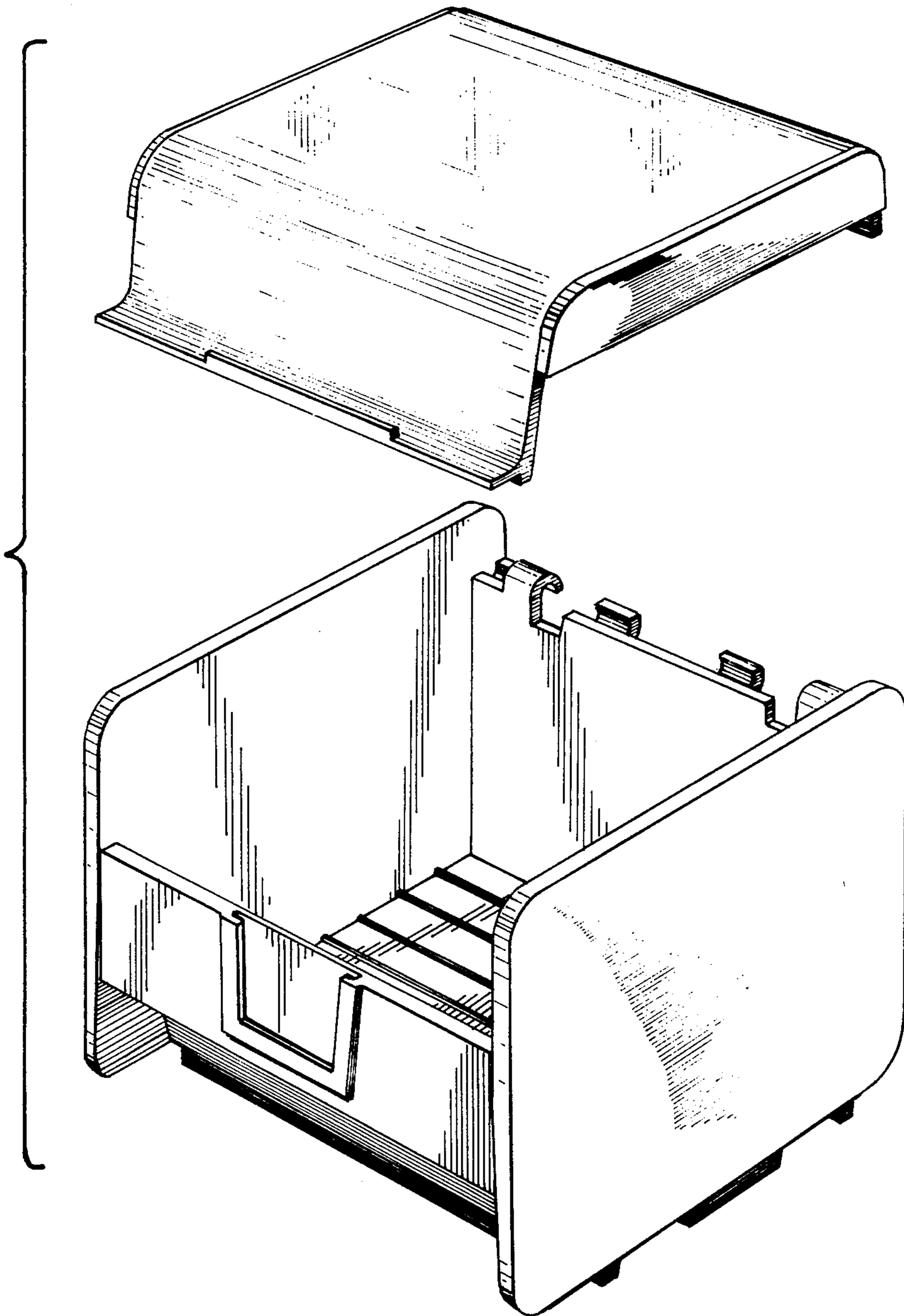


FIG. 2

FIG. 3

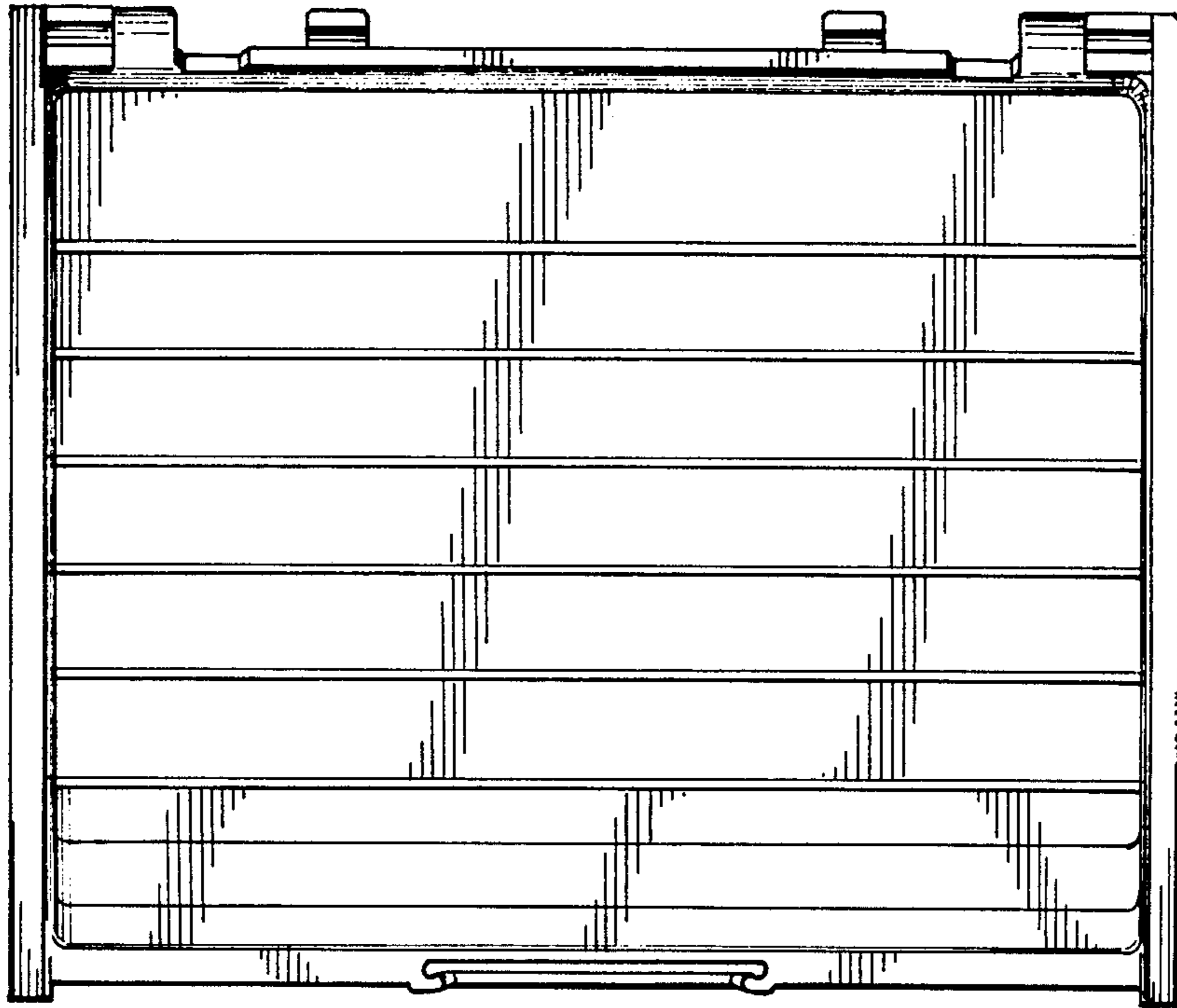
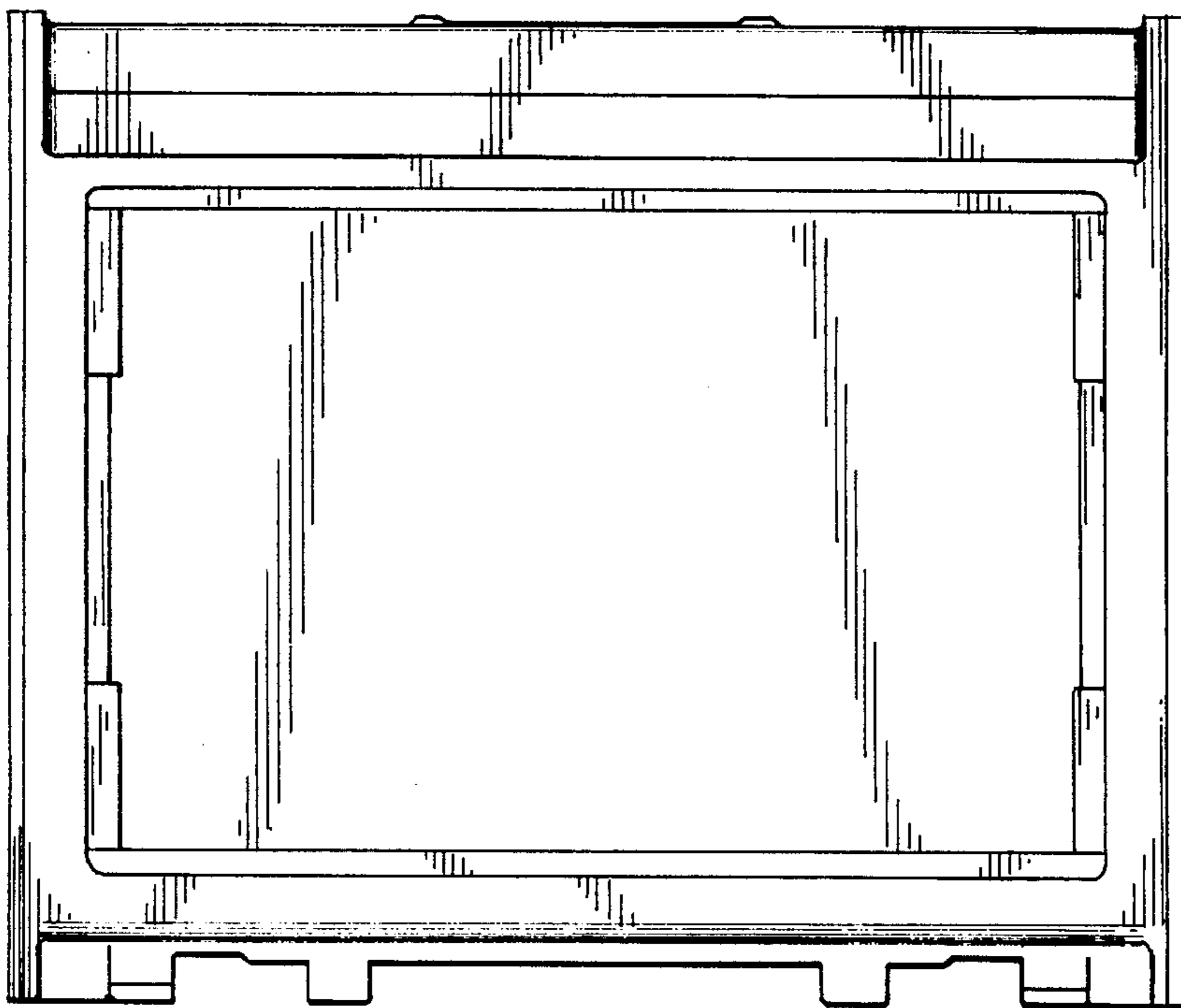


FIG. 4



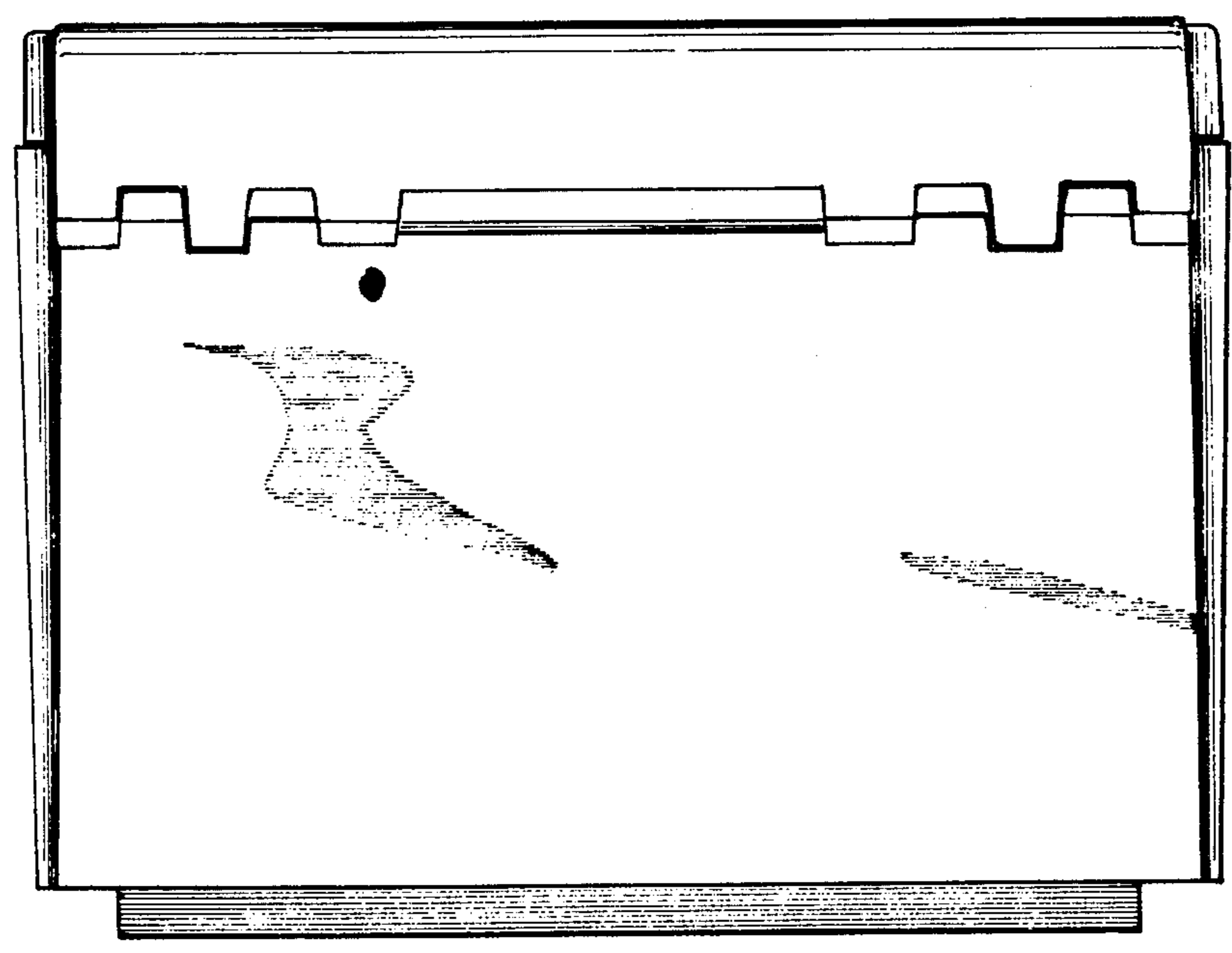


FIG. 5