

[54] BINOCULARS

[75] Inventors: Seijiro Noda, Yokohama; Hitoshi Suyama, Tokyo, both of Japan

[73] Assignee: Nippon Kogaku K.K.

[**] Term: 14 Years

[21] Appl. No.: 897,933

[22] Filed: Apr. 19, 1978

[51] Int. Cl. D16-06

[52] U.S. Cl. D16/59

[58] Field of Search D16/59; 350/36, 51, 350/75, 70

[56] References Cited

U.S. PATENT DOCUMENTS

- D. 229,444 11/1973 Windisch D16/59
- D. 229,445 11/1973 Hornschu et al. D16/59
- D. 242,243 11/1976 Takahashi et al. D16/59

- D. 246,653 12/1977 Tomatsuri D16/59
- 3,604,779 9/1971 Reinhold 350/75
- 3,817,594 6/1974 Fischer 350/75

Primary Examiner—Bernard Ansher
Attorney, Agent, or Firm—Harry G. Shapiro

[57] CLAIM

The ornamental design for binoculars, as shown and described.

DESCRIPTION

FIG. 1 is a front view of the binoculars, showing our new design;
 FIG. 2 is a rear view thereof;
 FIG. 3 is a top plan view thereof;
 FIG. 4 is a bottom plan view thereof;
 FIG. 5 is a side elevational view as seen from the left of FIG. 1;
 FIG. 6 is a side elevational view as seen from the right of FIG. 1; and
 FIG. 7 is a front perspective view.

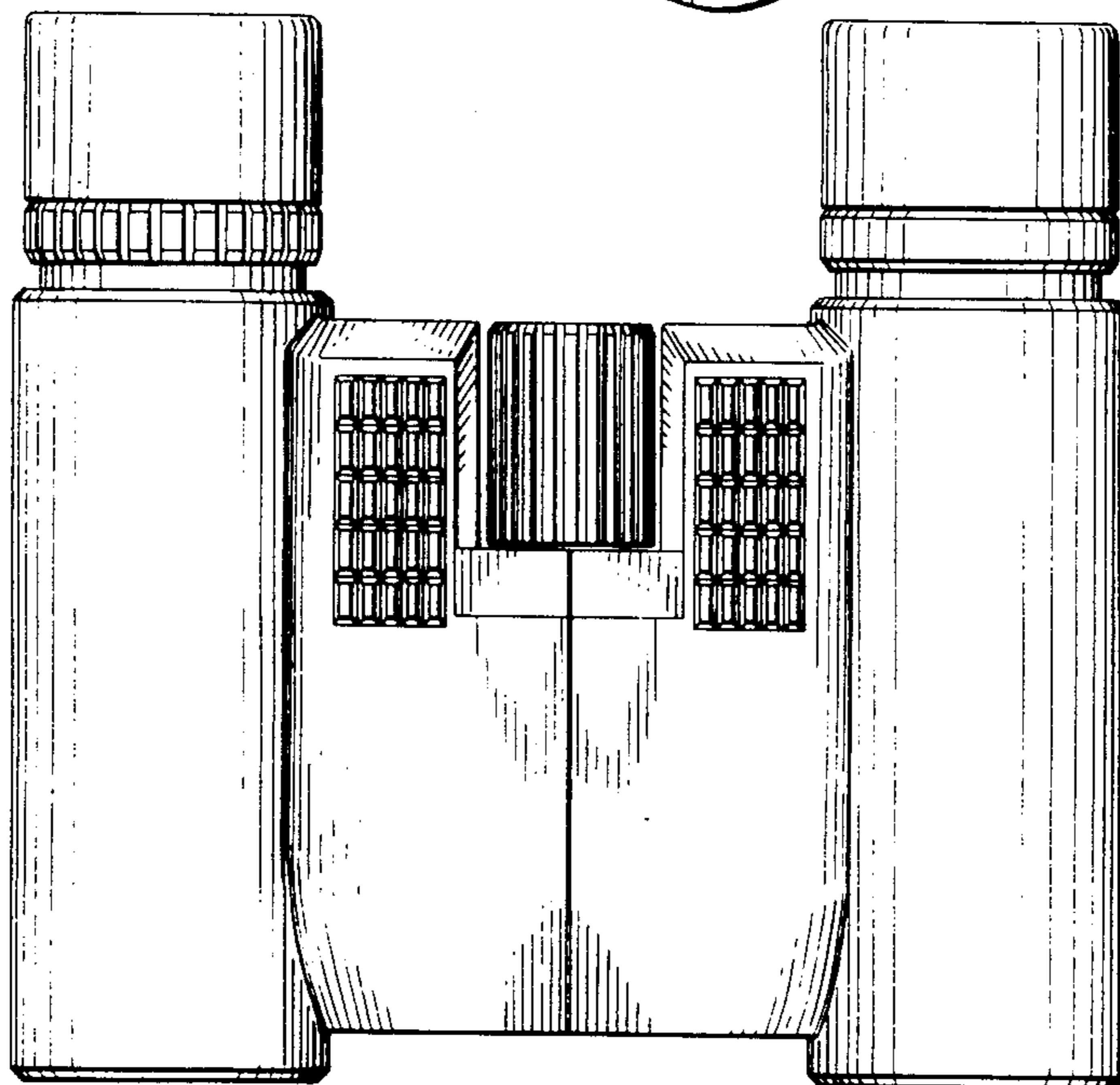
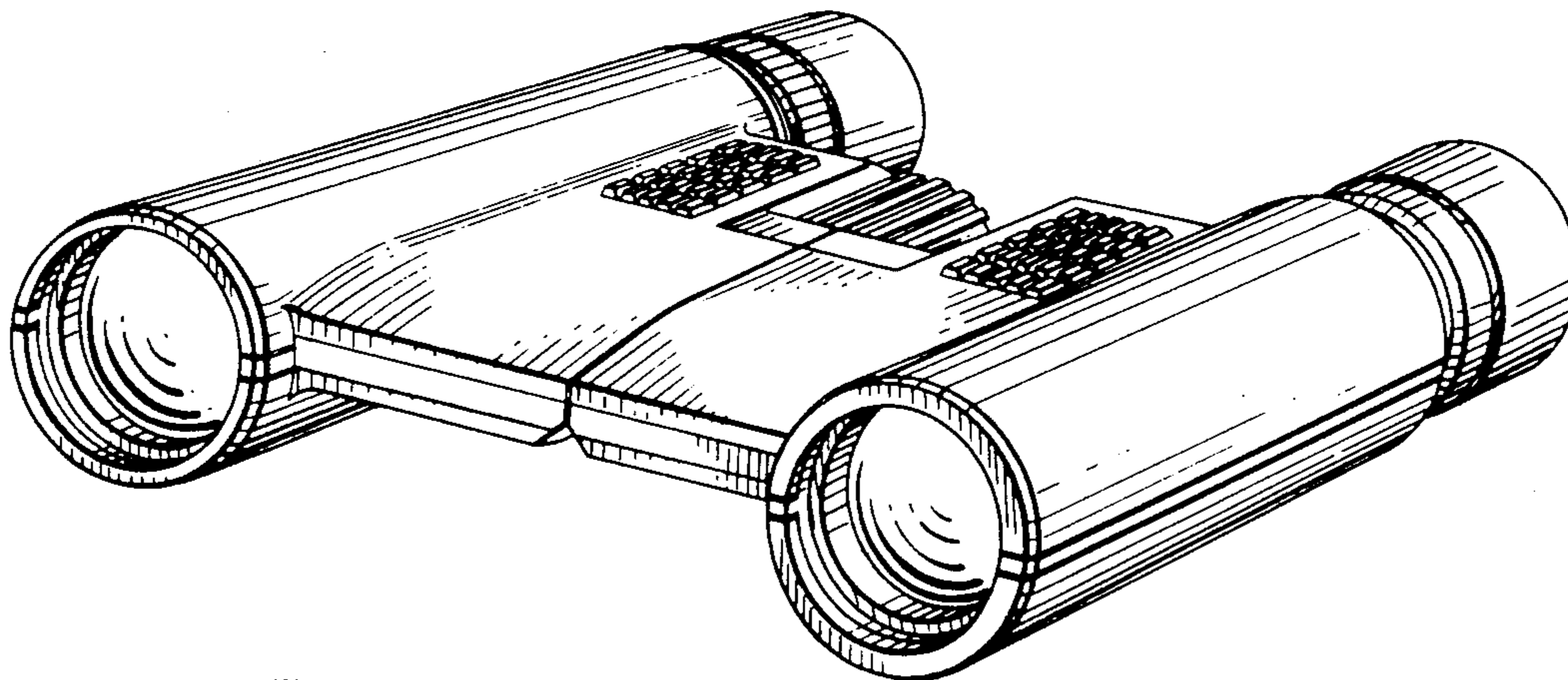


FIG. 1

FIG. 6

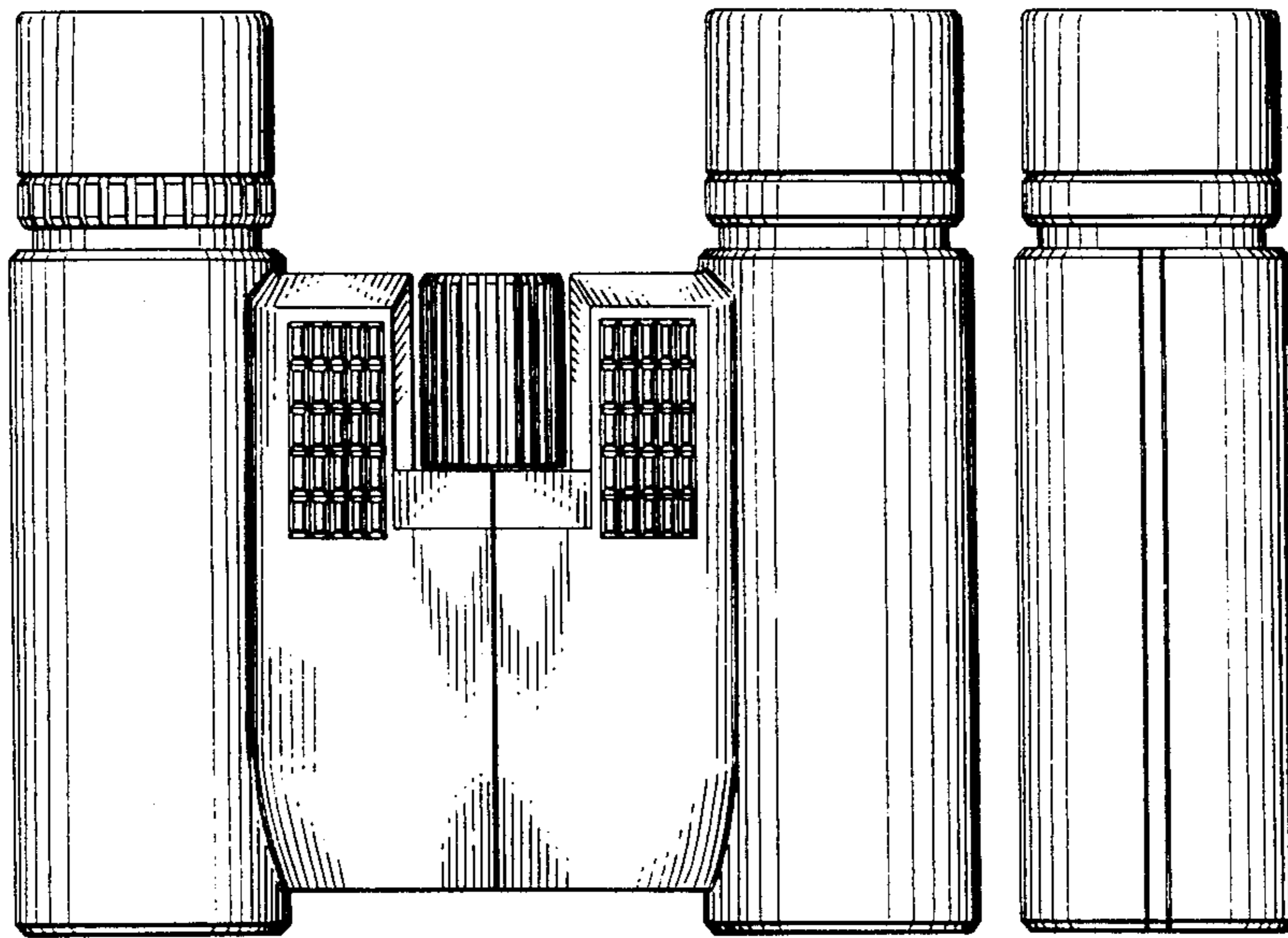


FIG. 5

FIG. 2

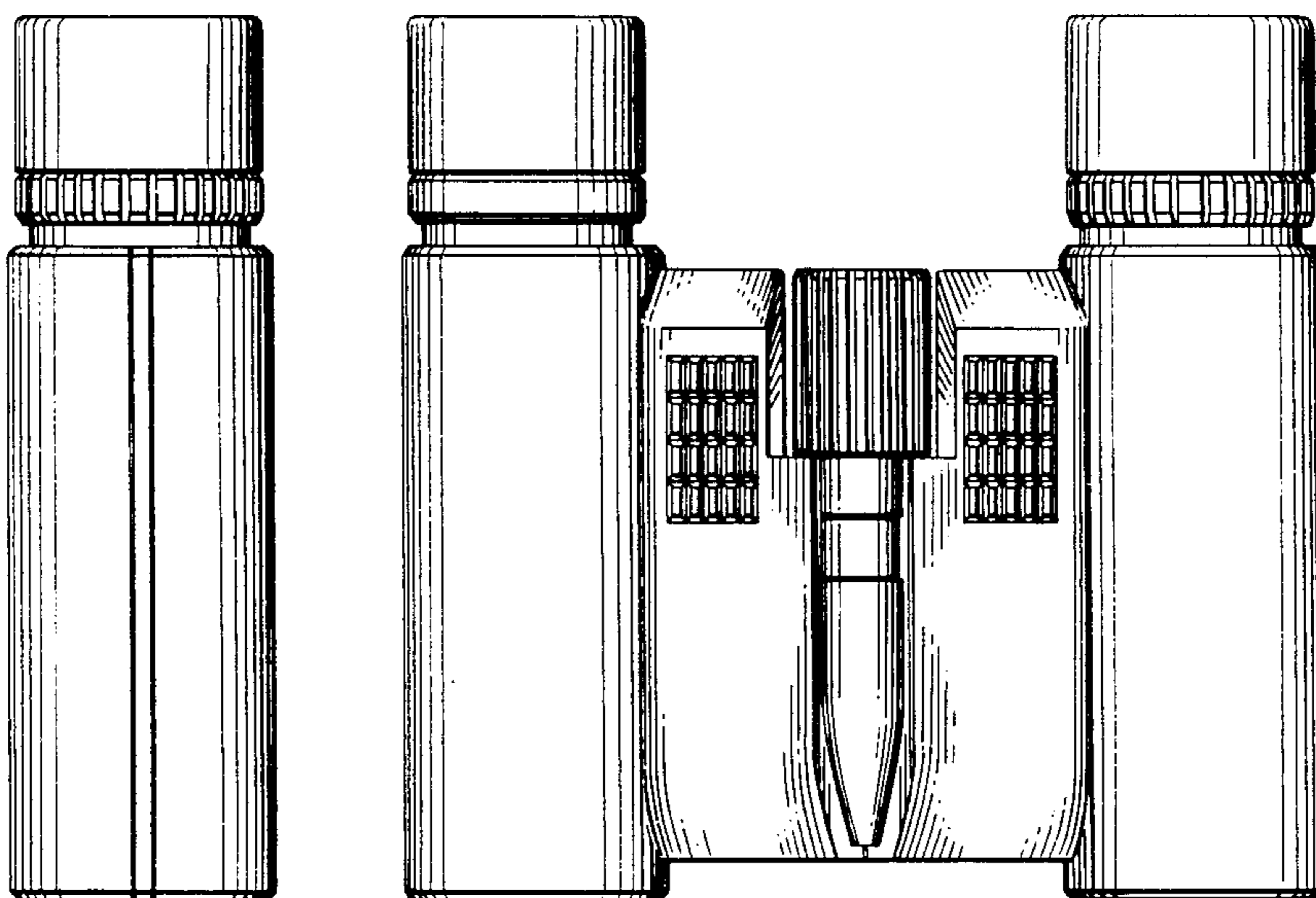


FIG. 4

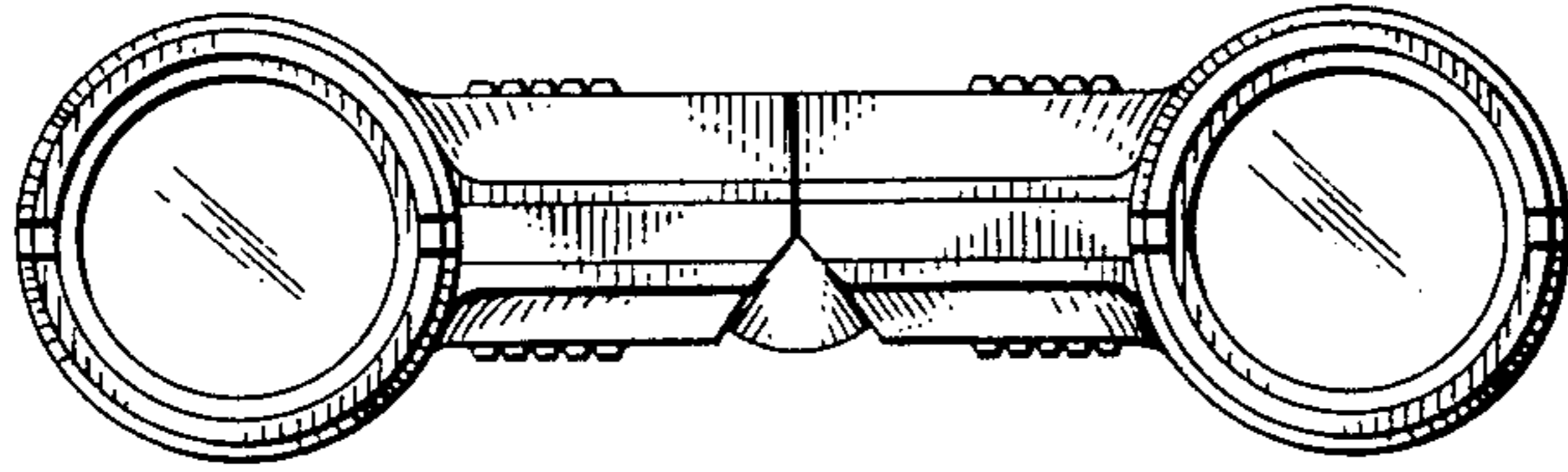


FIG. 3

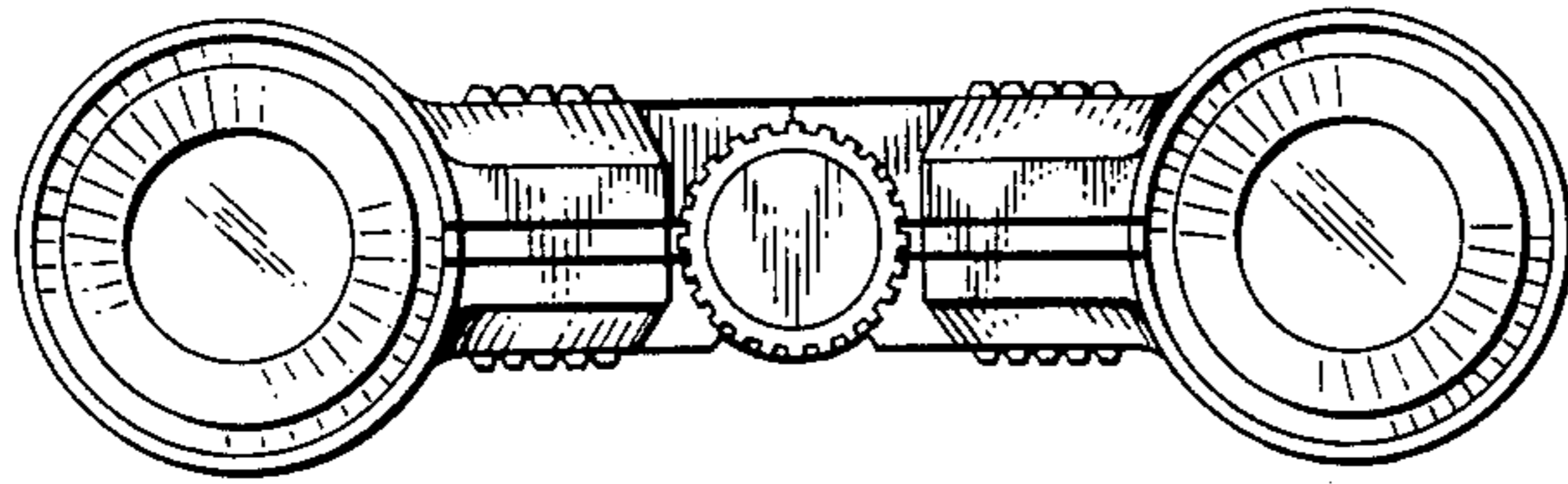


FIG. 7

