

[54] STAGE FOR TRANSPARENCY PROJECTION

[75] Inventors: Paul Constantine, New York; Melvyn Ettinger, East Meadow, both of N.Y.; Harry S. Rubin, Willow Grove, Pa.

[73] Assignee: Instructo/McGraw-Hill, Inc., Paoli, Pa.

[**] Term: 14 Years

[21] Appl. No.: 856,414

[22] Filed: Dec. 1, 1977

[51] Int. Cl. D16-02
[52] U.S. Cl. D16/26
[58] Field of Search D16/11, 14, 15, 20-26; 353/22, 23, 119, 120, 122, DIG. 3, DIG. 4, DIG. 5

[56] References Cited

U.S. PATENT DOCUMENTS

3,269,261	8/1966	Porter	353/DIG. 5 X
3,537,792	11/1970	Furniss et al.	353/120
3,544,211	12/1970	Albee, Jr.	353/120
3,642,359	2/1972	Kitch	353/DIG. 5 X

FOREIGN PATENT DOCUMENTS

1518275	7/1978	United Kingdom	353/DIG. 5
---------	--------	----------------------	------------

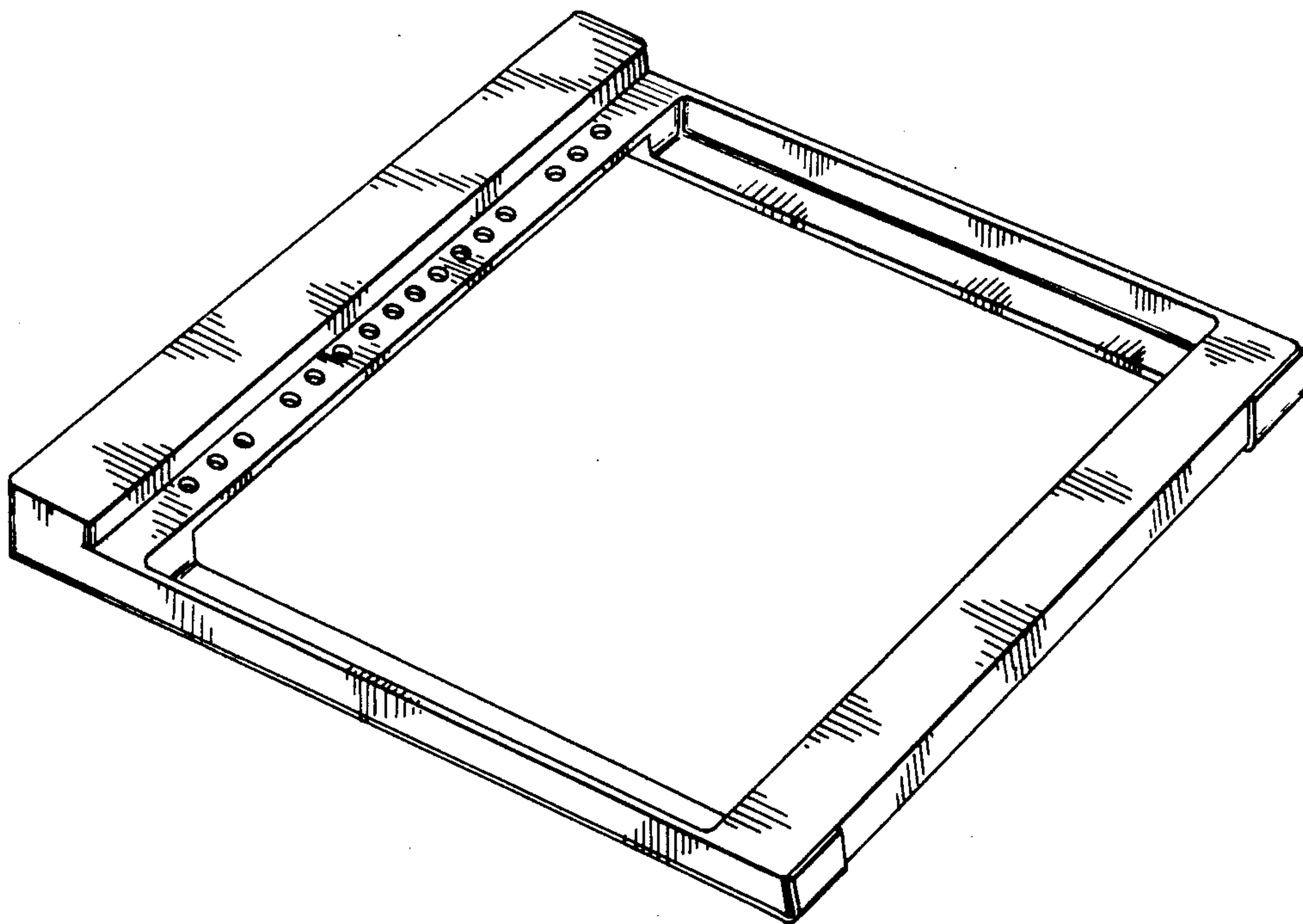
Primary Examiner—Catherine E. Kemper
Attorney, Agent, or Firm—Harvey W. Mortimer

[57] CLAIM

The ornamental design for a stage for transparency projection, as shown.

DESCRIPTION

FIG. 1 is a top perspective view of a stage for transparency projection showing our new design; FIG. 2 is a top plan view thereof; FIG. 3 is a right side elevational view thereof; FIG. 4 is an inverted bottom plan view thereof; FIG. 5 is a right side elevational view thereof; and FIG. 6 is a front elevational view thereof.



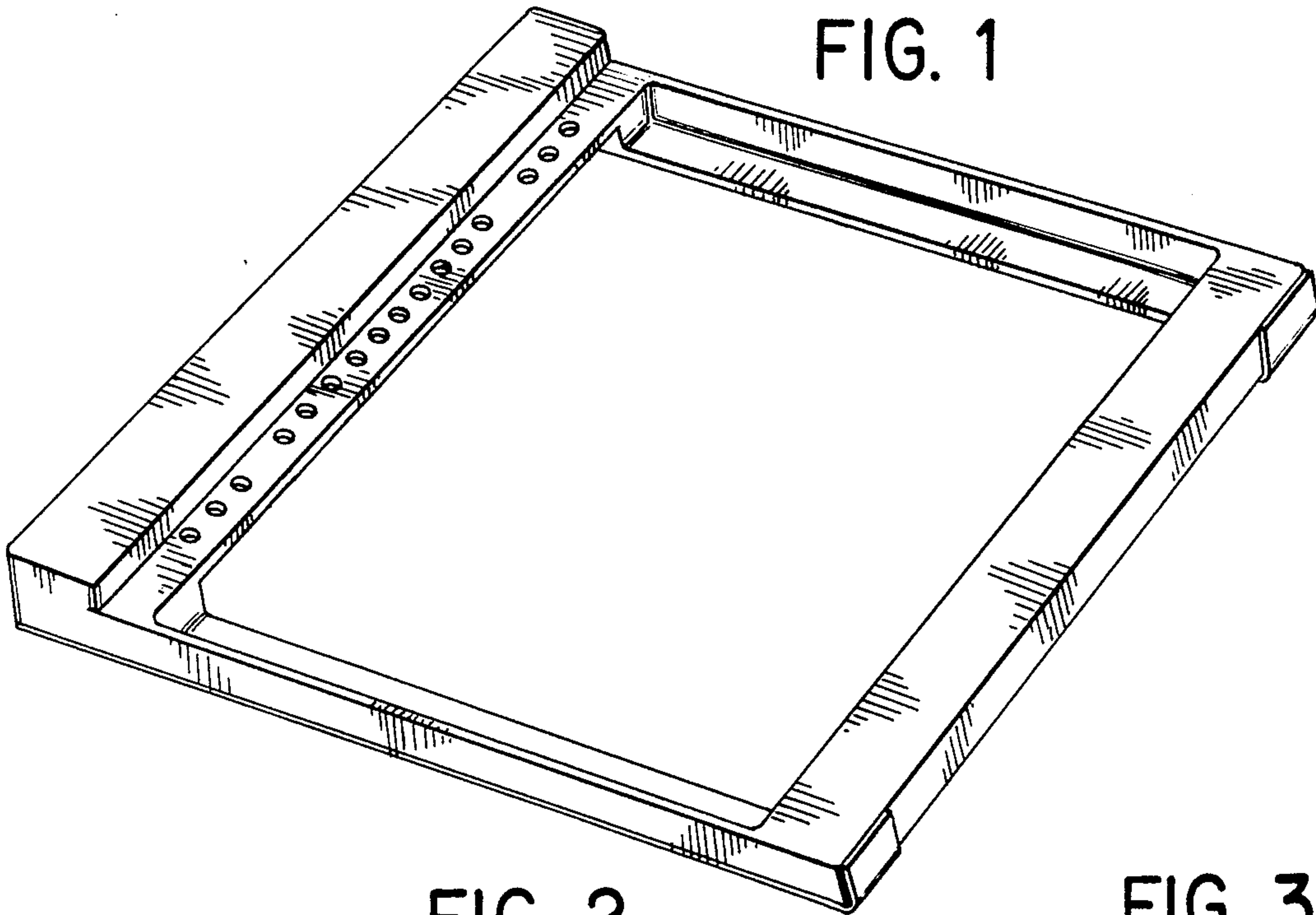


FIG. 2

FIG. 3

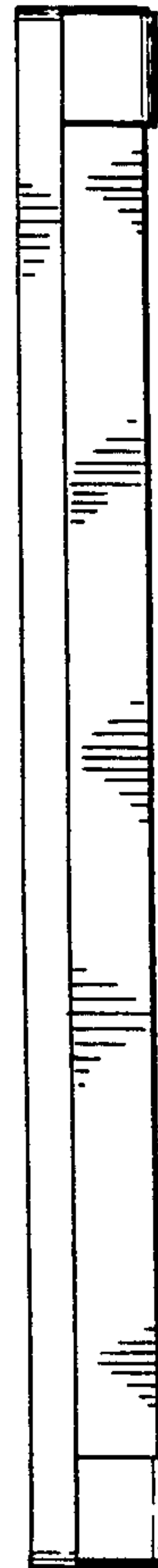
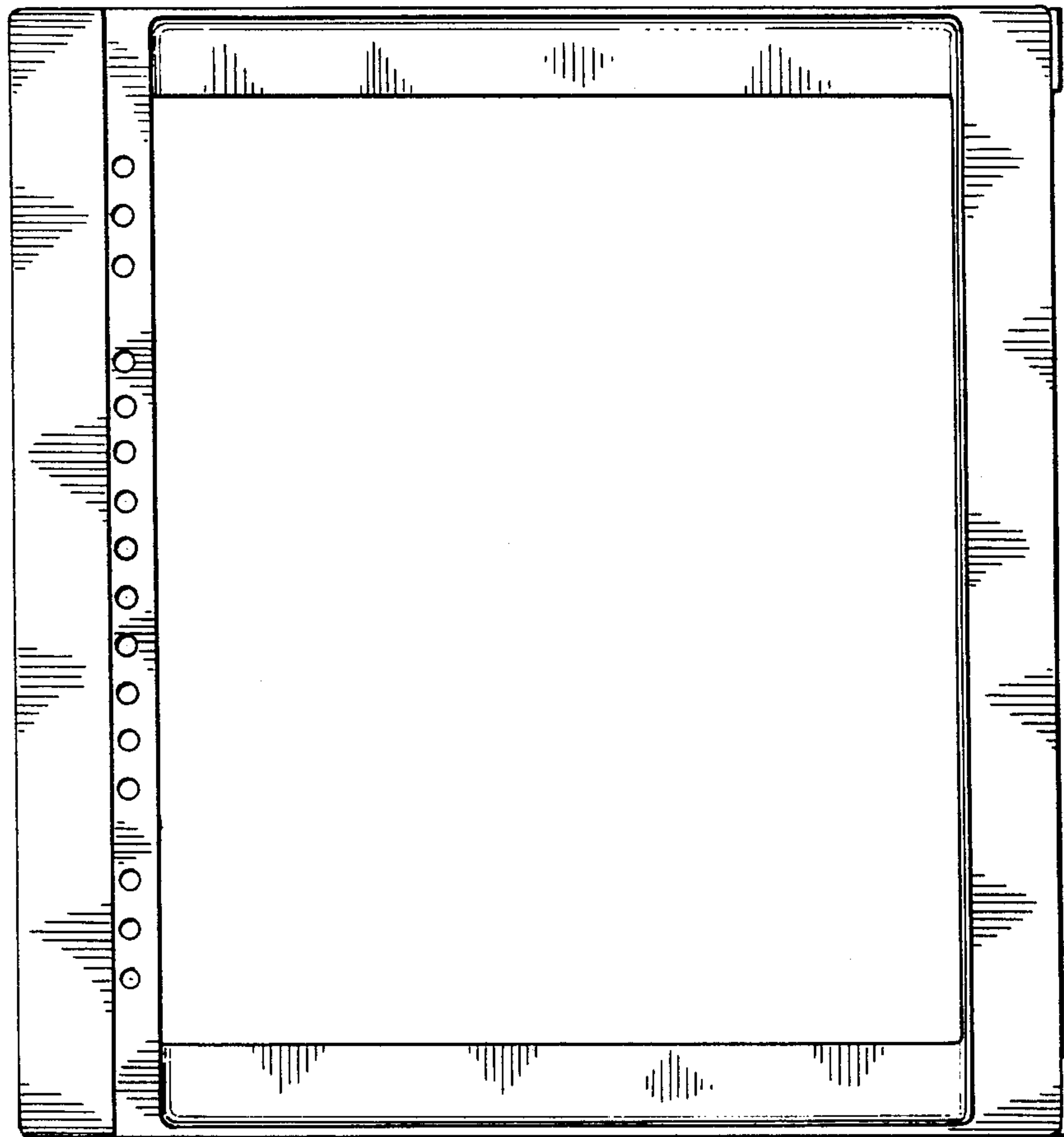


FIG. 4

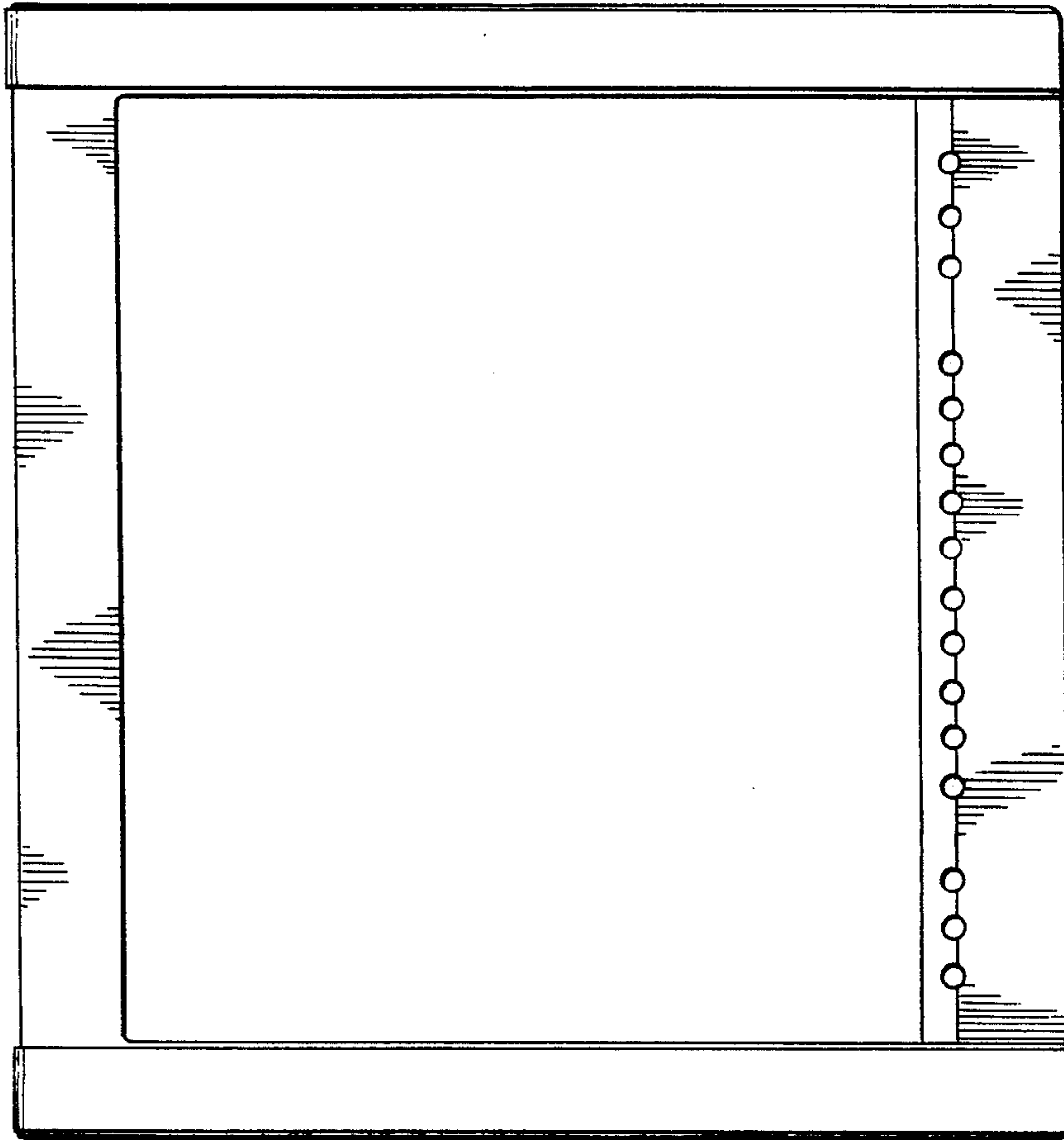


FIG. 5



FIG. 6

