

[54] WRAPPING APPARATUS FOR PALLETIZED LOADS

[76] Inventor: Michael H. Shulman, 45 Bruce Farm Dr., Willowdale, Ontario, Canada

[**] Term: 14 Years

[21] Appl. No.: 832,989

[22] Filed: Sep. 13, 1977

[51] Int. Cl. D15-99

[52] U.S. Cl. D15/145

[58] Field of Search D15/145; 53/210, 589

[56] References Cited

U.S. PATENT DOCUMENTS

4,109,445 8/1978 Shulman 53/210

Primary Examiner—Wallace R. Burke

Assistant Examiner—B. J. Bullock

Attorney, Agent, or Firm—Peter W. McBurney

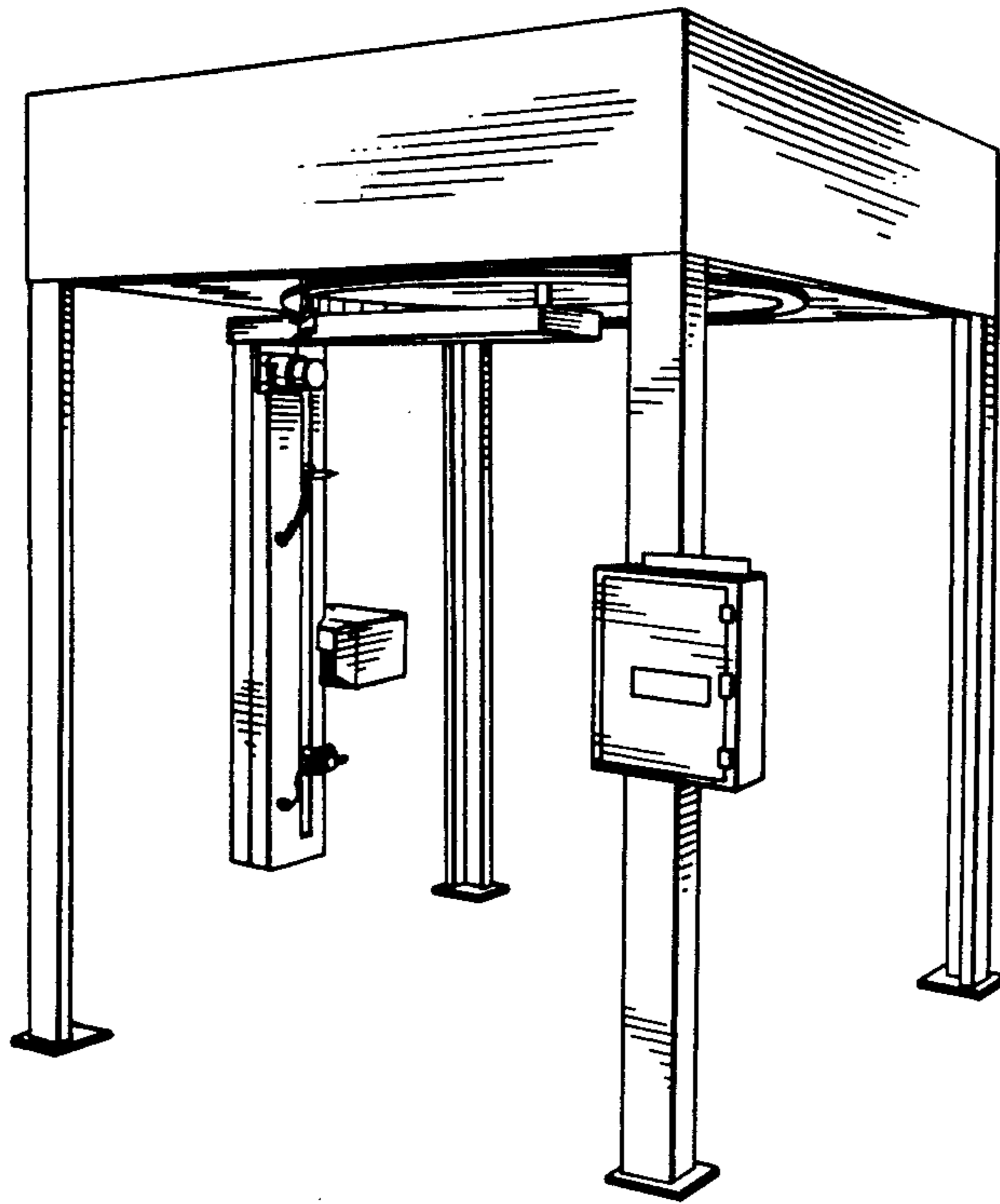
[57] CLAIM

The ornamental design for a wrapping apparatus for palletized loads, as shown and described.

DESCRIPTION

FIG. 1 is a front perspective view of the wrapping apparatus for palletized loads showing my new design, taken from below;

FIG. 2 is a rear perspective view thereof, taken from above.



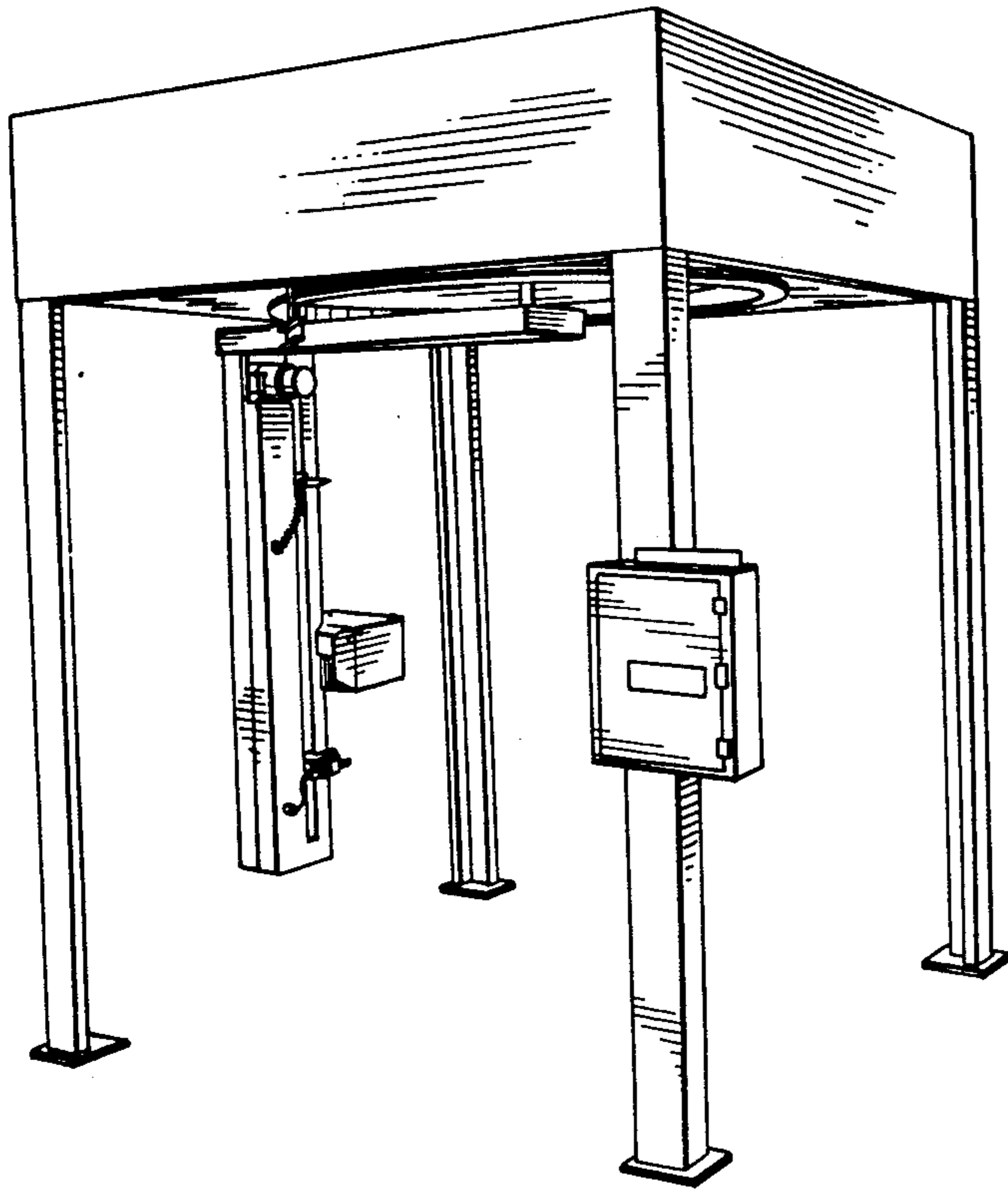


FIG. 1

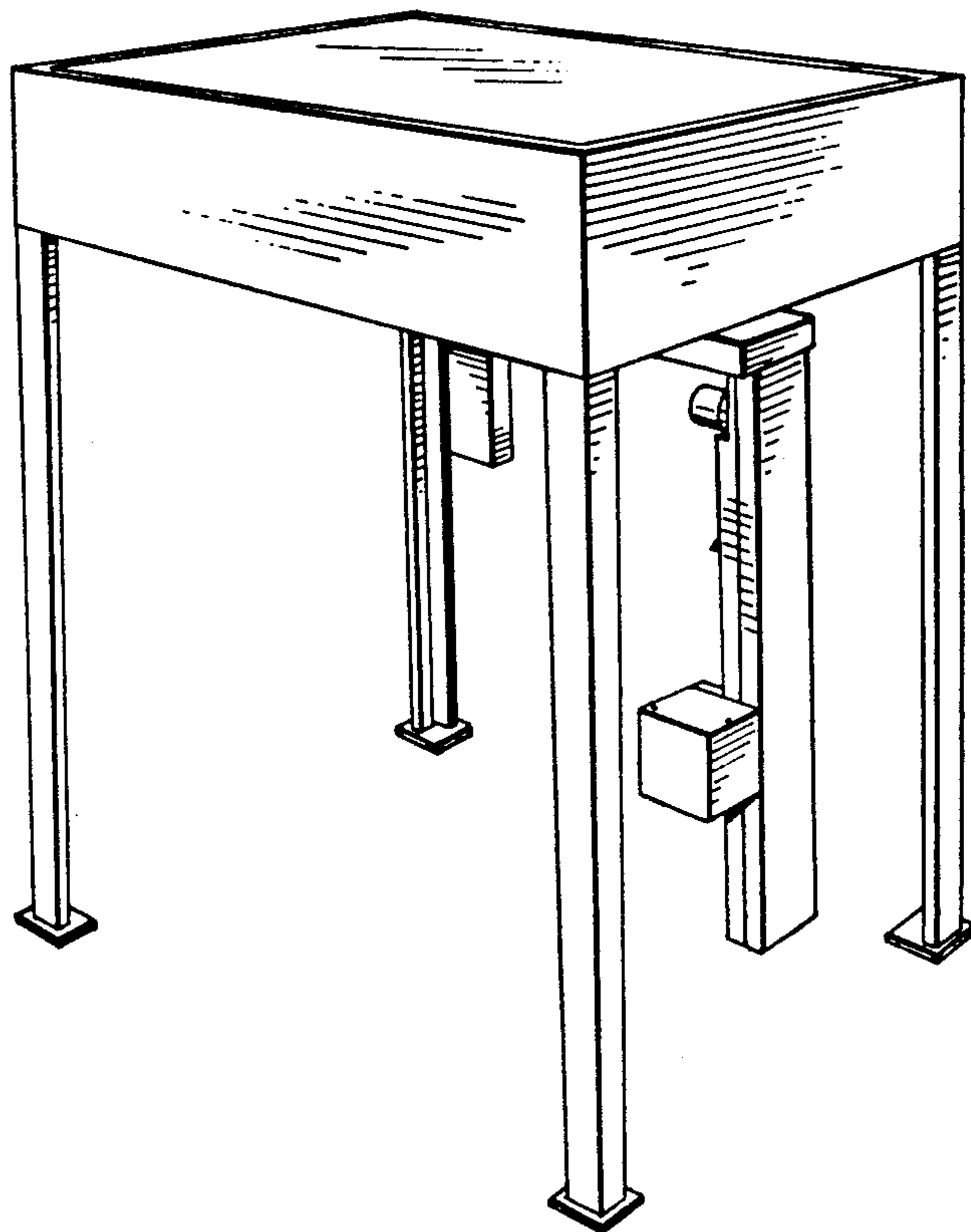


FIG. 2