

[54] EXPANDABLE ELEMENT FOR HOLDING A WORKPIECE TO BE TOOLED

[56]

References Cited

U.S. PATENT DOCUMENTS

4,084,803 4/1978 Beekenkamp 269/91
4,155,542 5/1979 Jansson 269/94

[76] Inventor: Sixten Jansson, Industrihuset, 950 10 Luleå, Sweden

Primary Examiner—Wallace R. Burke
Assistant Examiner—B. J. Bullock
Attorney, Agent, or Firm—Nelson Littell

[**] Term: 14 Years

[57]

CLAIM

[21] Appl. No.: 865,888

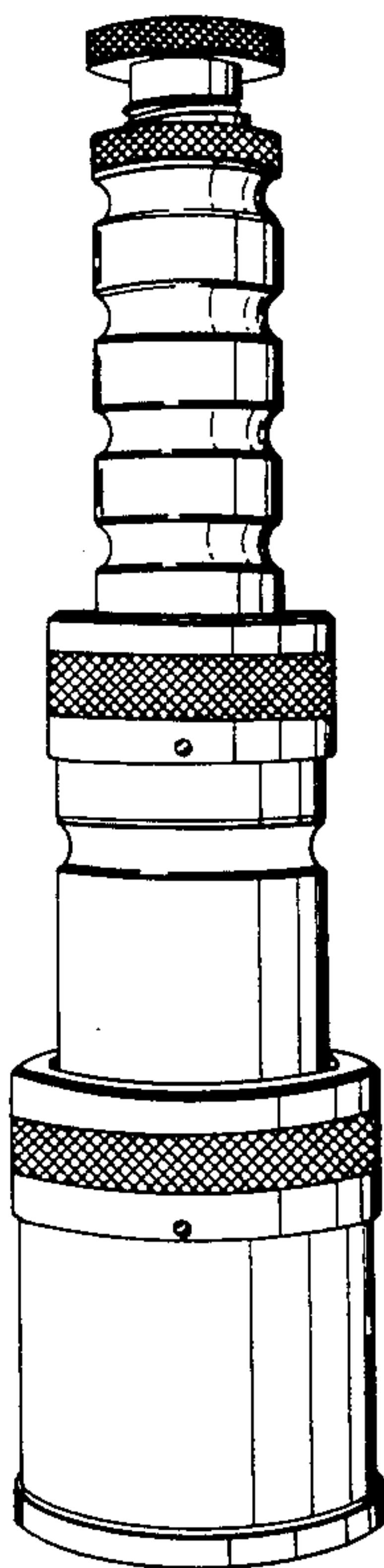
The ornamental design for an expandable element for holding a workpiece to be tooled, as shown and described.

[22] Filed: Dec. 29, 1977

DESCRIPTION

[51] Int. Cl. D15-09
[52] U.S. Cl. D15/140
[58] Field of Search D15/138, 140, 130;
269/91, 93, 94, 239

FIG. 1 is a perspective view of an expandable element for holding a workpiece to be tooled, showing my new design, shown in the extended position;
FIG. 2 is an enlarged perspective view thereof, shown in the retracted position.



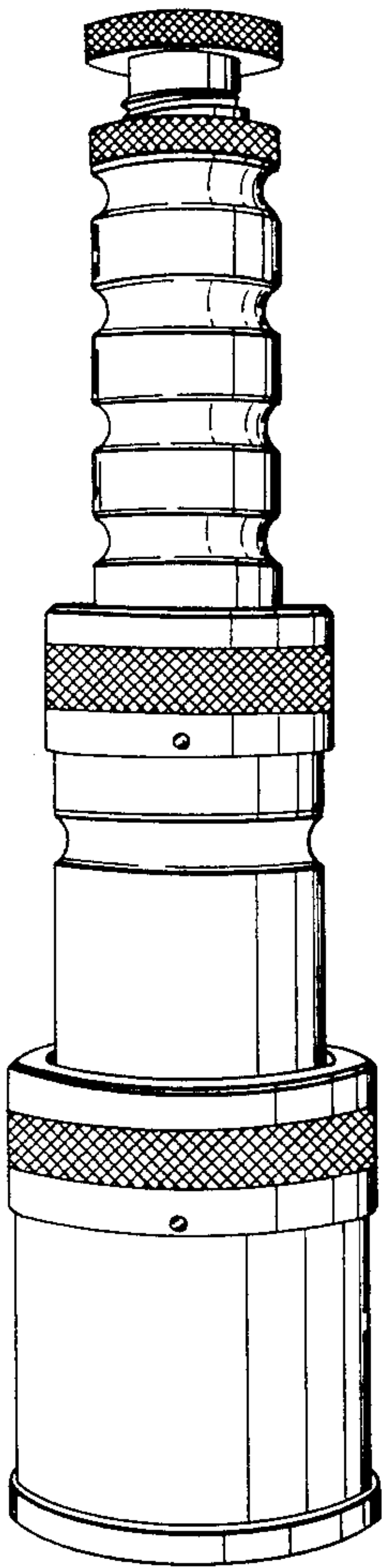


FIG. 1

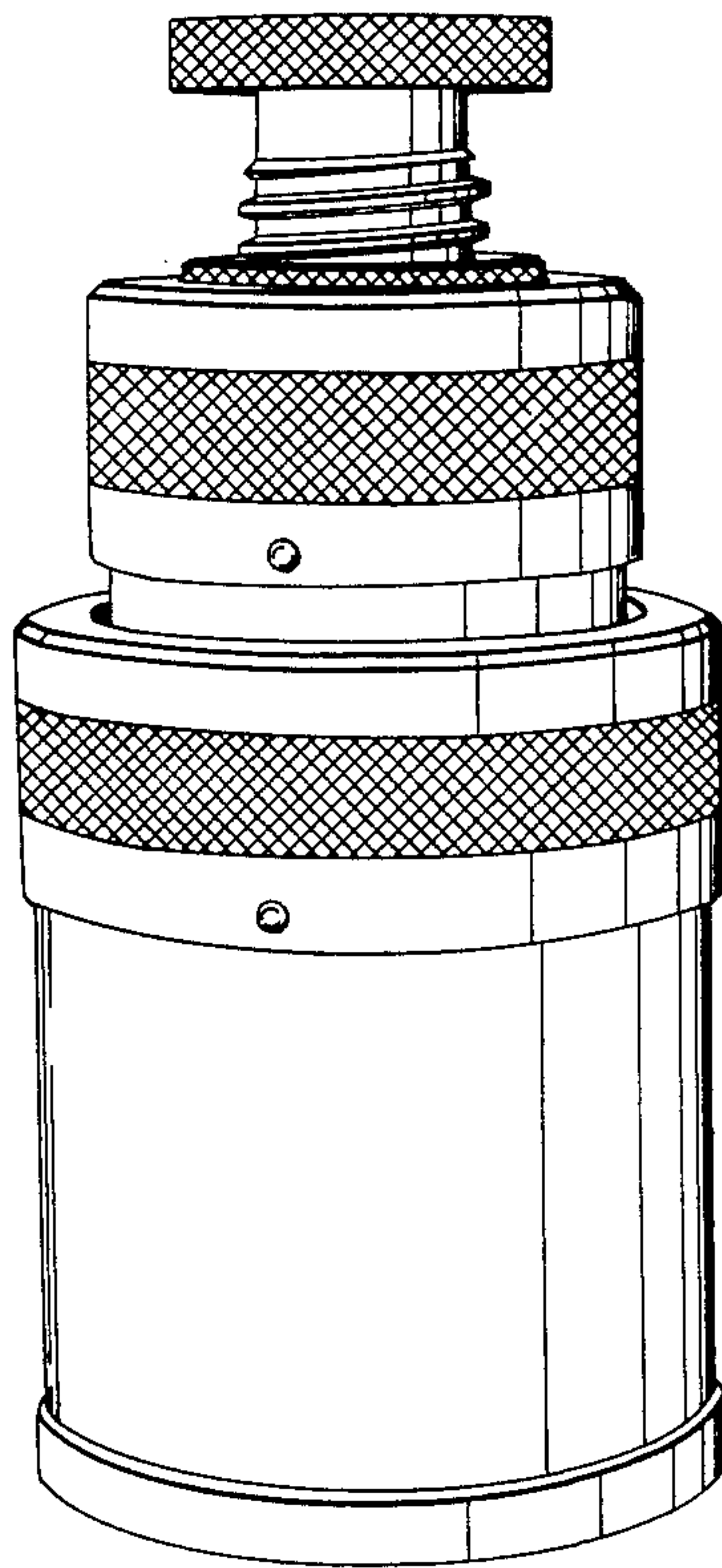


FIG. 2

UNITED STATES PATENT AND TRADEMARK OFFICE
CERTIFICATE OF CORRECTION

PATENT NO. : Des. 256,021
DATED : July 22, 1980
INVENTOR(S) : SIXTEN JANSSON

It is certified that error appears in the above—identified patent and that said Letters Patent is hereby corrected as shown below:

On The Title Page insert,

--[30] FOREIGN APPLICATION PRIORITY DATA

June 30, 1977 [SE] Sweden771438 --

Signed and Sealed this
Seventeenth Day of August 1982

[SEAL]

Attest:

Attesting Officer

GERALD J. MOSSINGHOFF

Commissioner of Patents and Trademarks