

[54] BEVERAGE DISPENSER

[75] Inventor: Craig A. Swanson, Ramsey, Minn.

[73] Assignee: The Cornelius Company, Anoka, Minn.

[**] Term: 14 Years

[21] Appl. No.: 894,669

[22] Filed: Apr. 10, 1978

[51] Int. Cl. D15-08

[52] U.S. Cl. D15/112; D15/115; D15/116

[58] Field of Search D15/112, 113, 115, 116, D15/117, 99, 92

[56] References Cited

U.S. PATENT DOCUMENTS

D. 251,564 4/1979 MacKrell D15/112

OTHER PUBLICATIONS

Foodservice Equipment Dealer, Mar. 1975, p. 25, bottom center of page.

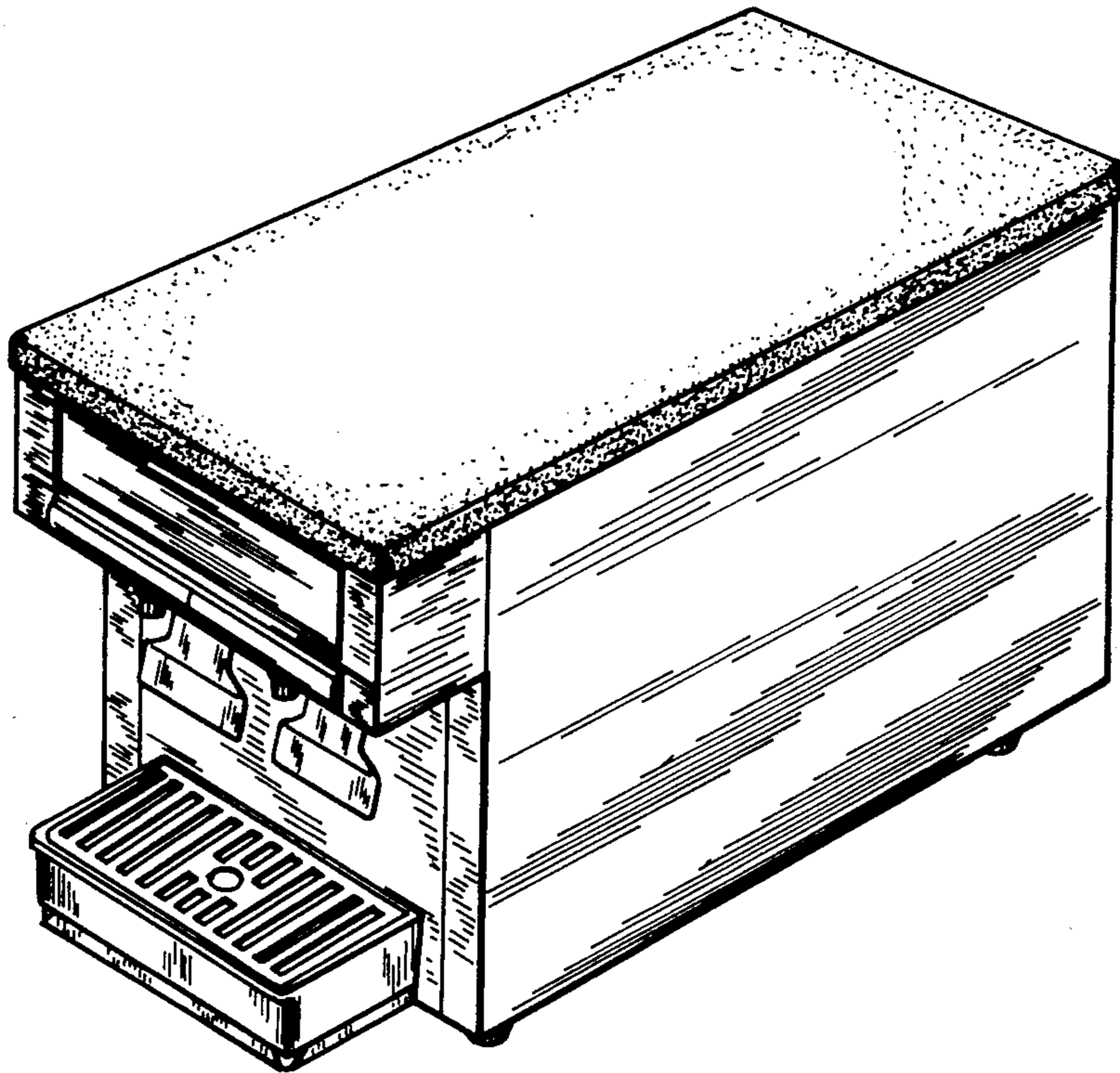
Primary Examiner—Donald B. Moyer
Attorney, Agent, or Firm—Henry C. Kovar

[57] CLAIM

The ornamental design for a beverage dispenser, substantially as shown and described.

DESCRIPTION

FIG. 1 is a perspective view of a beverage dispenser, showing my new design;
FIG. 2 is a rear elevational view thereof;
FIG. 3 is a front elevational view thereof;
FIG. 4 is a top plan view thereof; and
FIG. 5 is a side elevational view thereof, the opposite side being a reverse image thereof.
The bottom, not shown, is plain and unornamented.



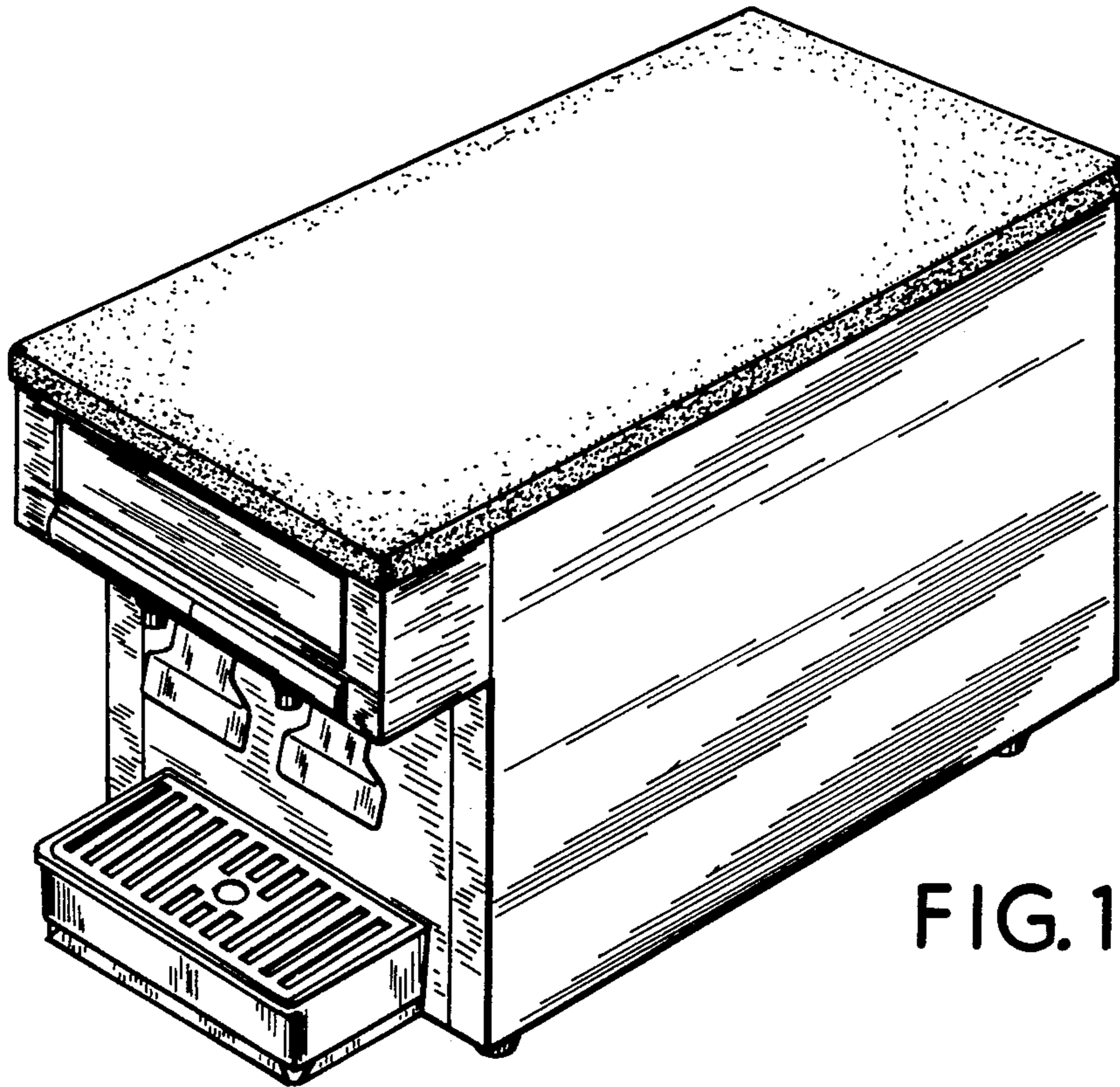


FIG. 1

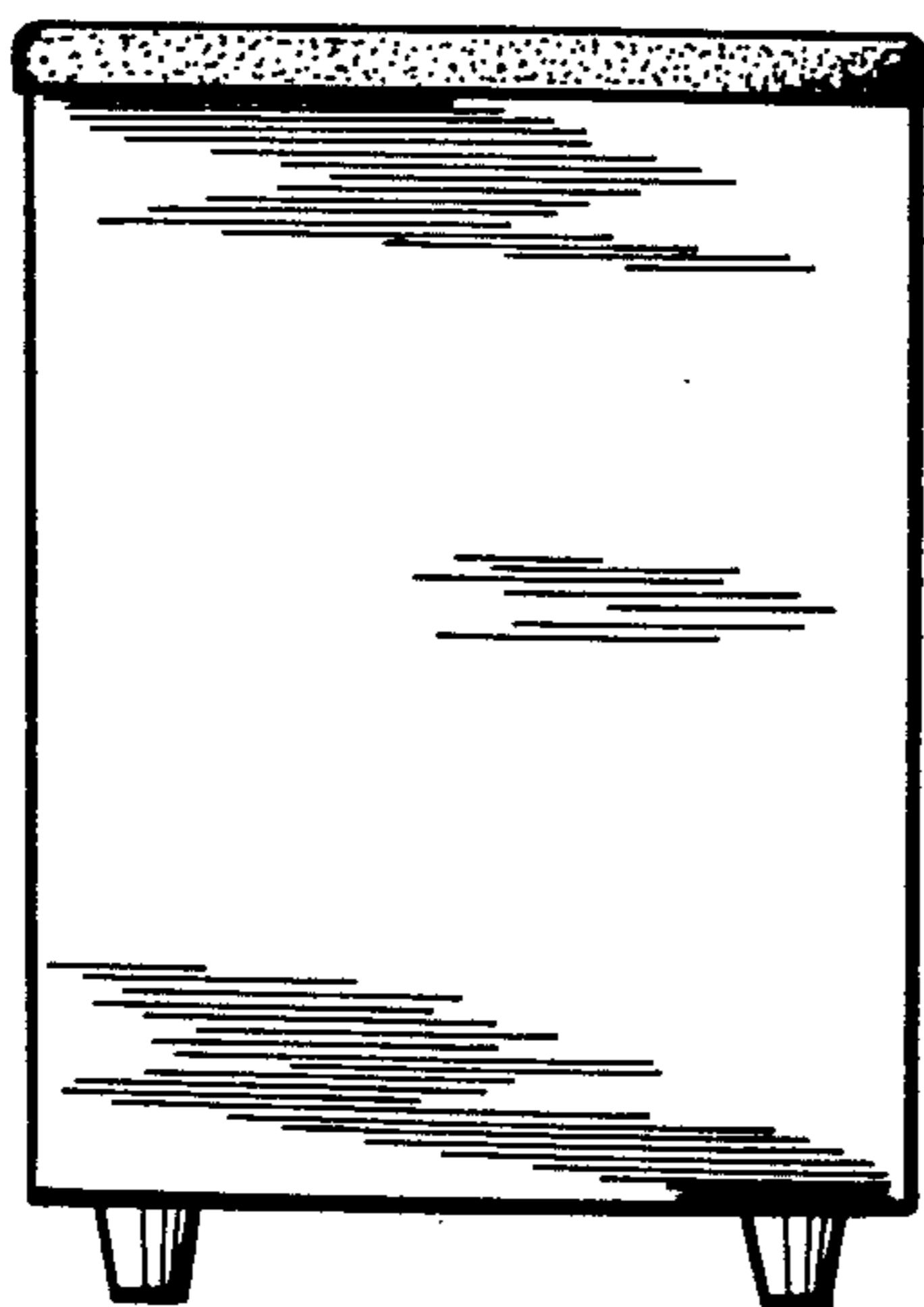


FIG. 2

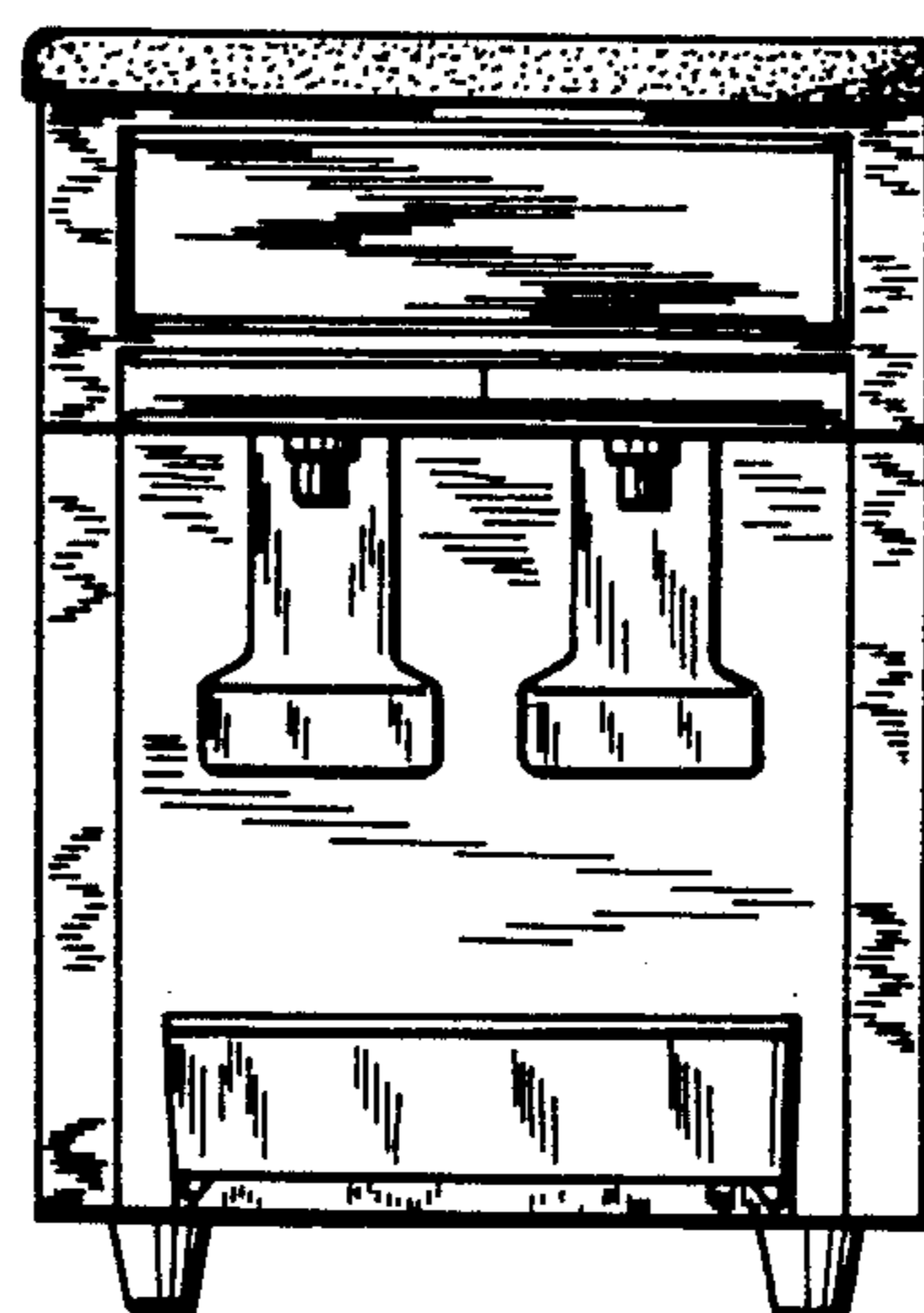


FIG. 3

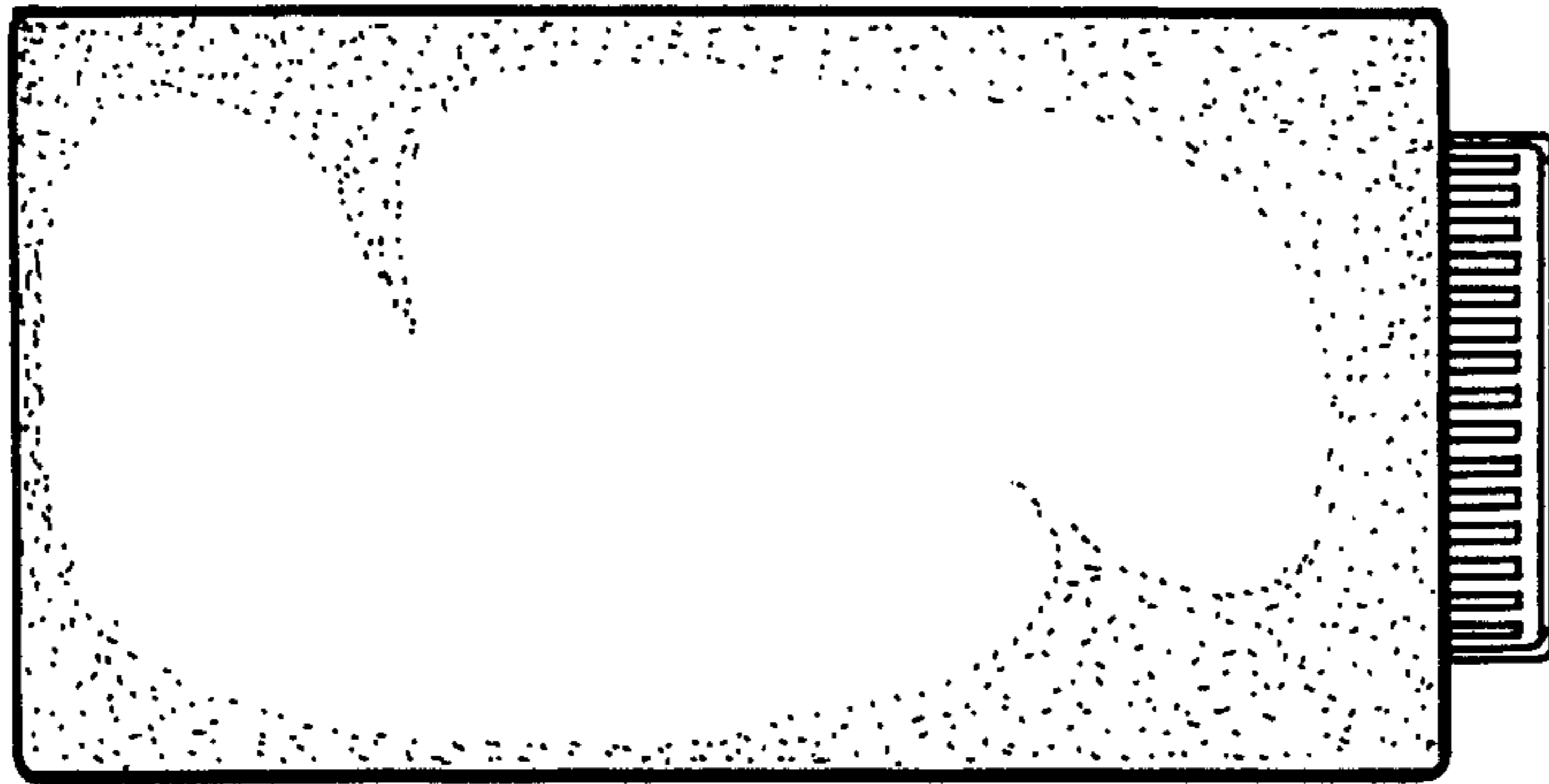


FIG. 4

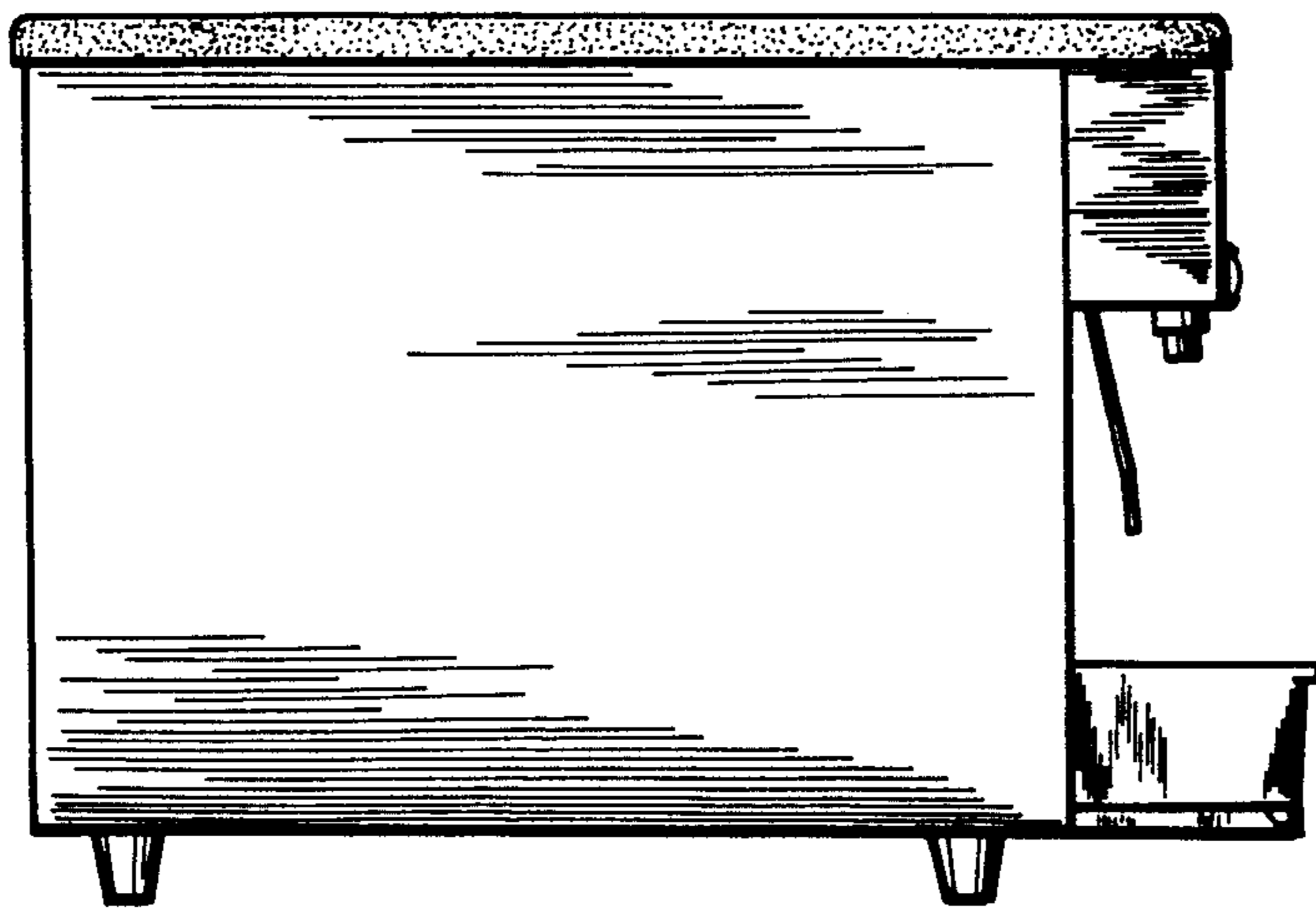


FIG. 5