

[54] **TRACTOR CONSOLE**

[75] Inventors: **Lawrence J. Stone**, Livonia; **Richard J. Wells**, Ferndale, both of Mich.

[73] Assignee: **Massey-Ferguson Inc.**, Detroit, Mich.

[**] Term: **14 Years**

[21] Appl. No.: **886,002**

[22] Filed: **Mar. 13, 1978**

[51] Int. Cl. **D15-03**

[52] U.S. Cl. **D15/28; D12/192**

[58] Field of Search **D15/28; D12/192; 180/90**

3,789,945 2/1974 Hansen 180/90
 4,126,202 11/1978 Hern 180/90

Primary Examiner—James M. Gandy
Attorney, Agent, or Firm—John C. Thompson

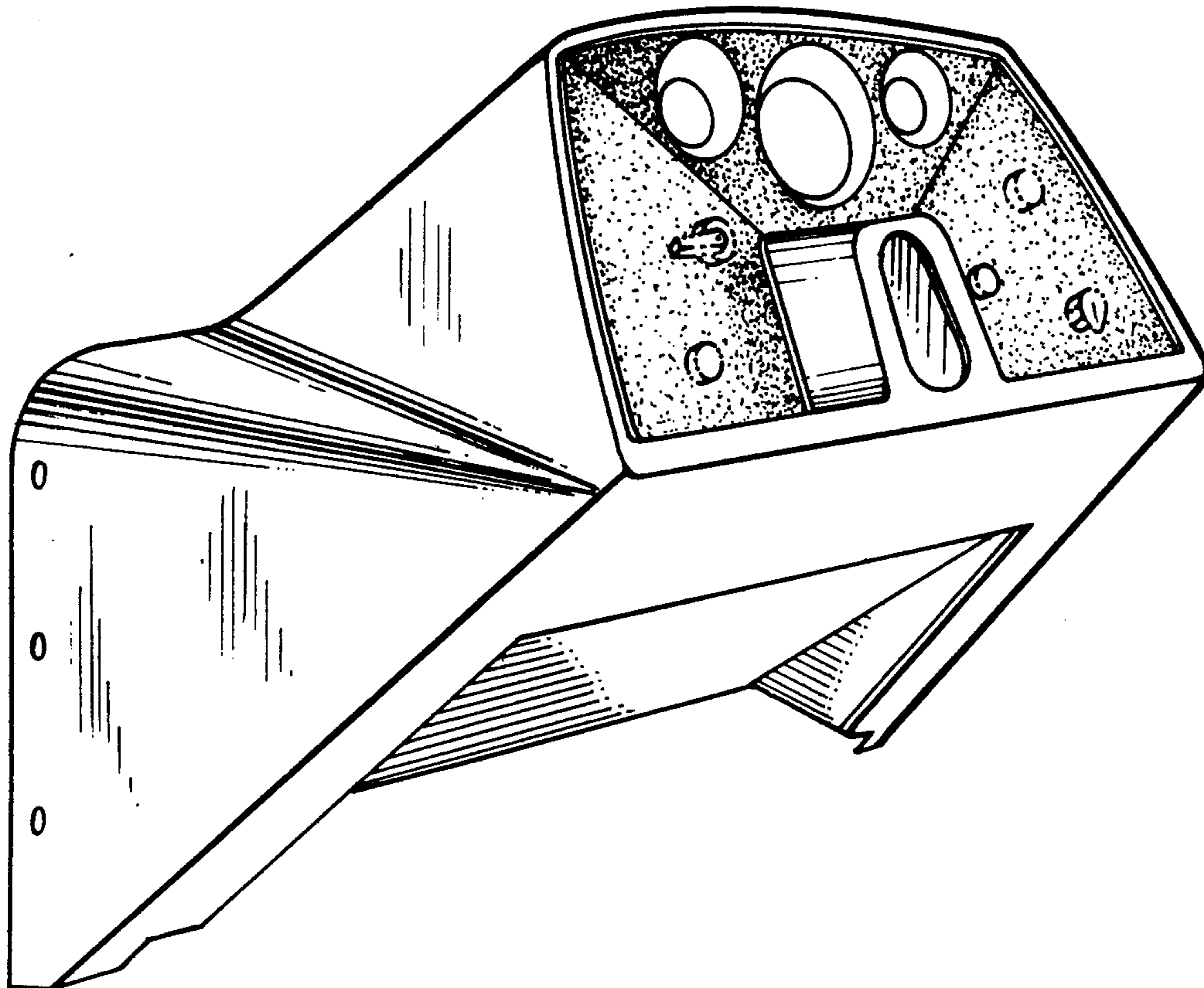
[57] **CLAIM**

The ornamental design for a tractor console, substantially as shown and described.

DESCRIPTION

FIG. 1 is a left rear perspective view of a tractor console embodying our new design, it being understood that the broken lines are for illustrative purposes only; FIG. 2 is a left side elevational view thereof; FIG. 3 is an elevational view of the control panel thereof taken along line 3—3 in FIG. 2, it being understood that the remaining portions of the console are omitted for convenience of illustration; FIG. 4 is a top plan view thereof; FIG. 5 is a front elevational view thereof; and FIG. 6 is a right side elevational view thereof.

[56] **References Cited**
U.S. PATENT DOCUMENTS
 D. 206,377 12/1966 Ornas, Jr. et al. D12/192
 3,583,519 6/1971 Meyer et al. 180/90



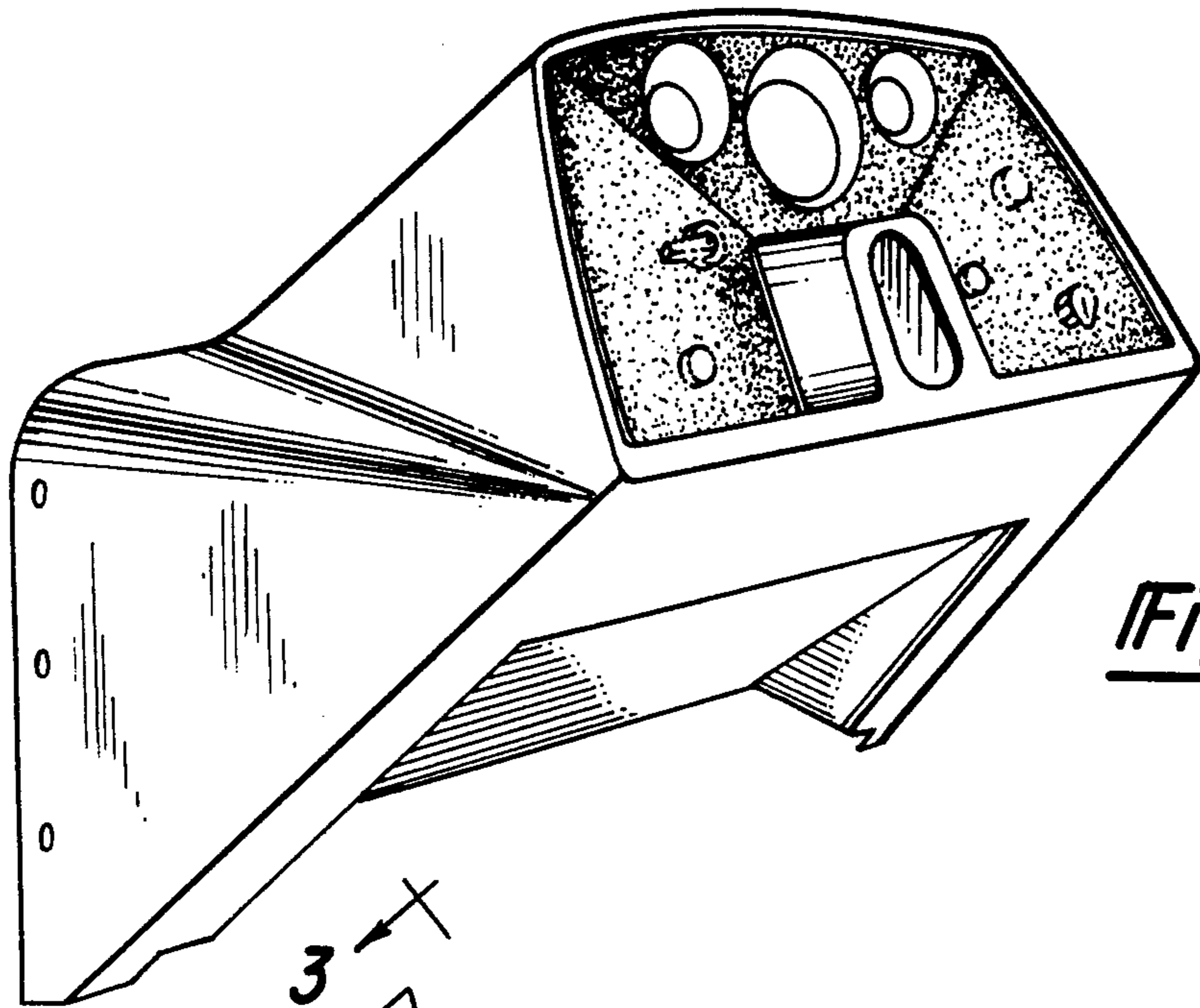


Fig-1

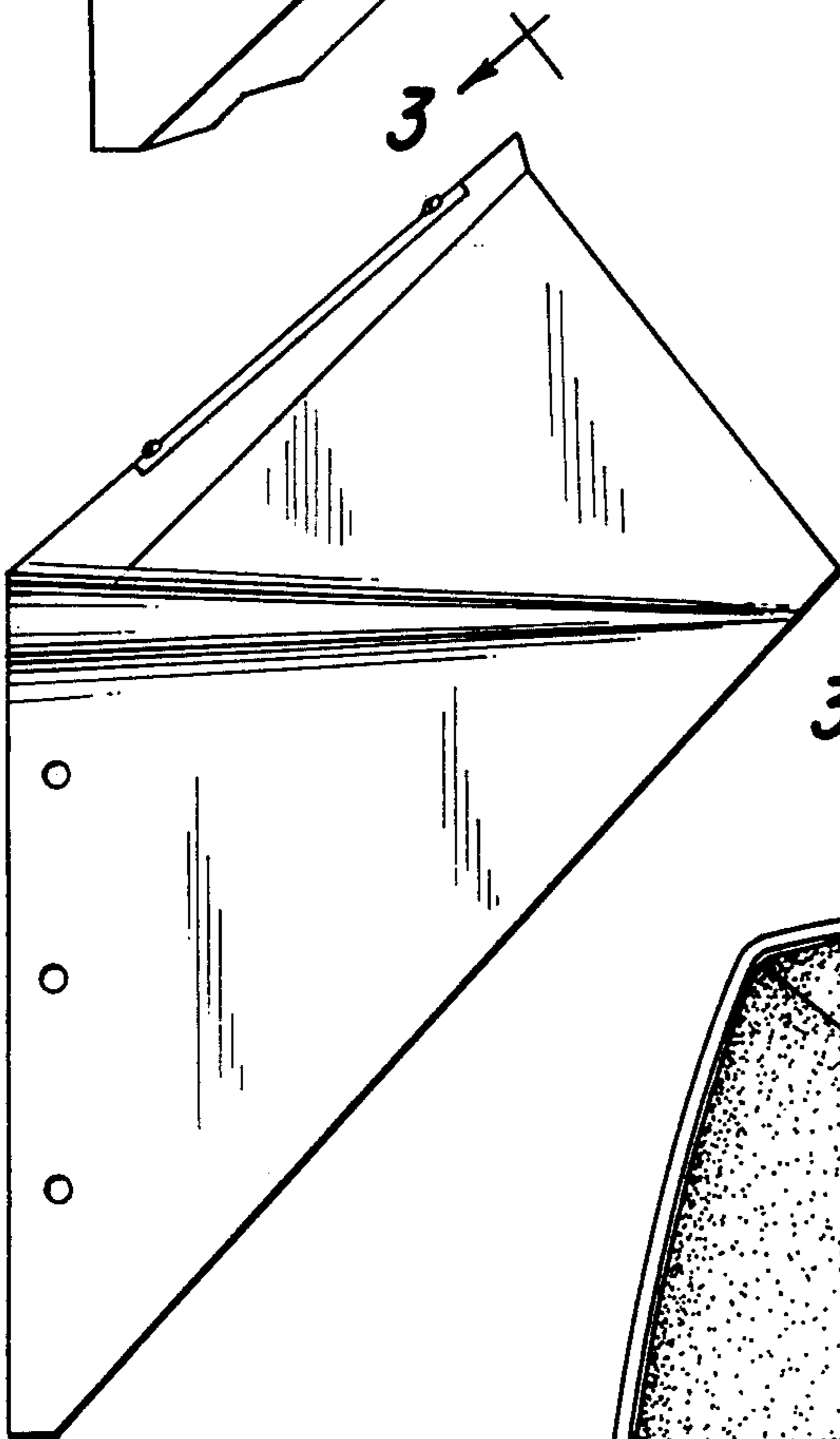


Fig-2

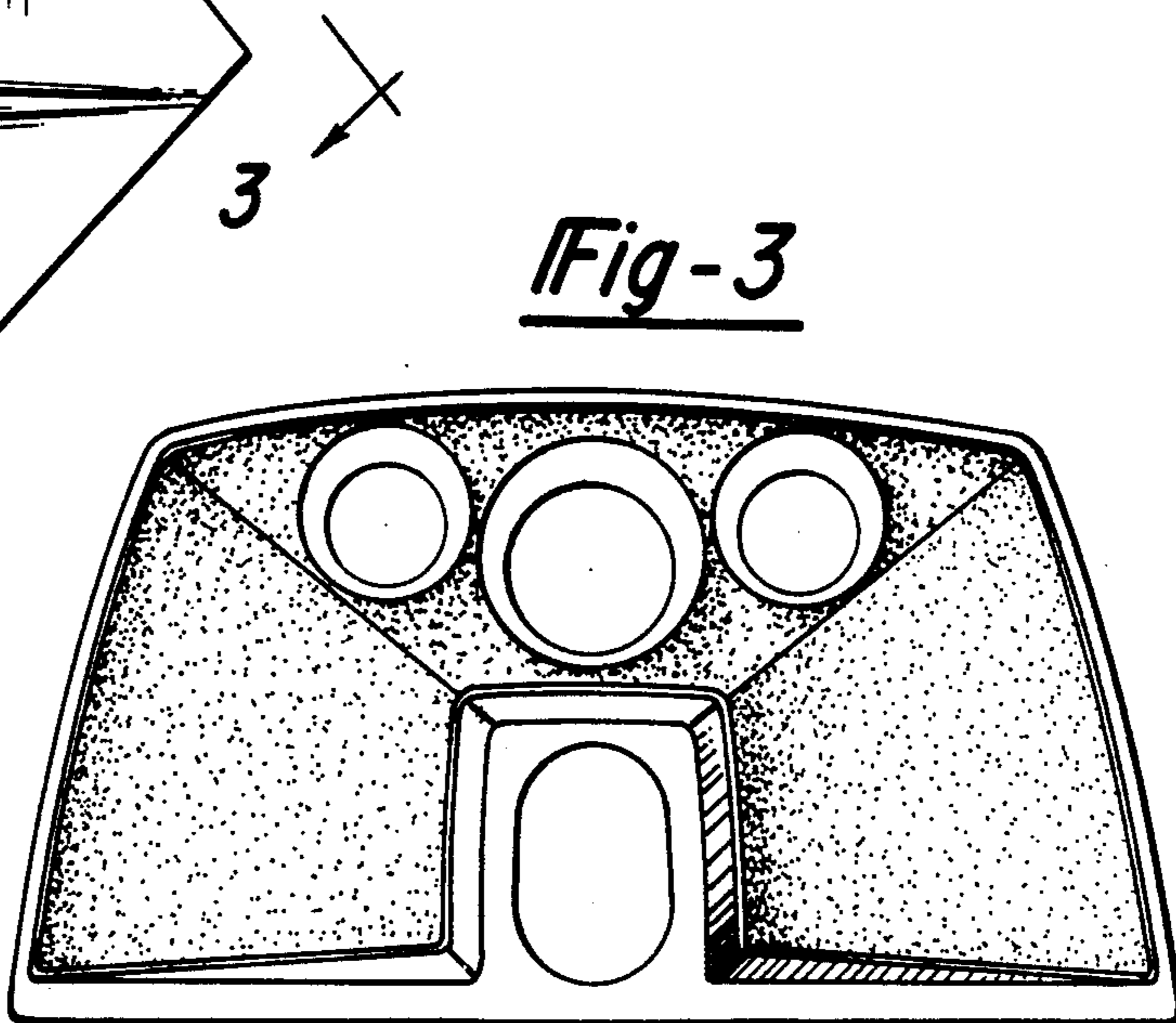


Fig-3

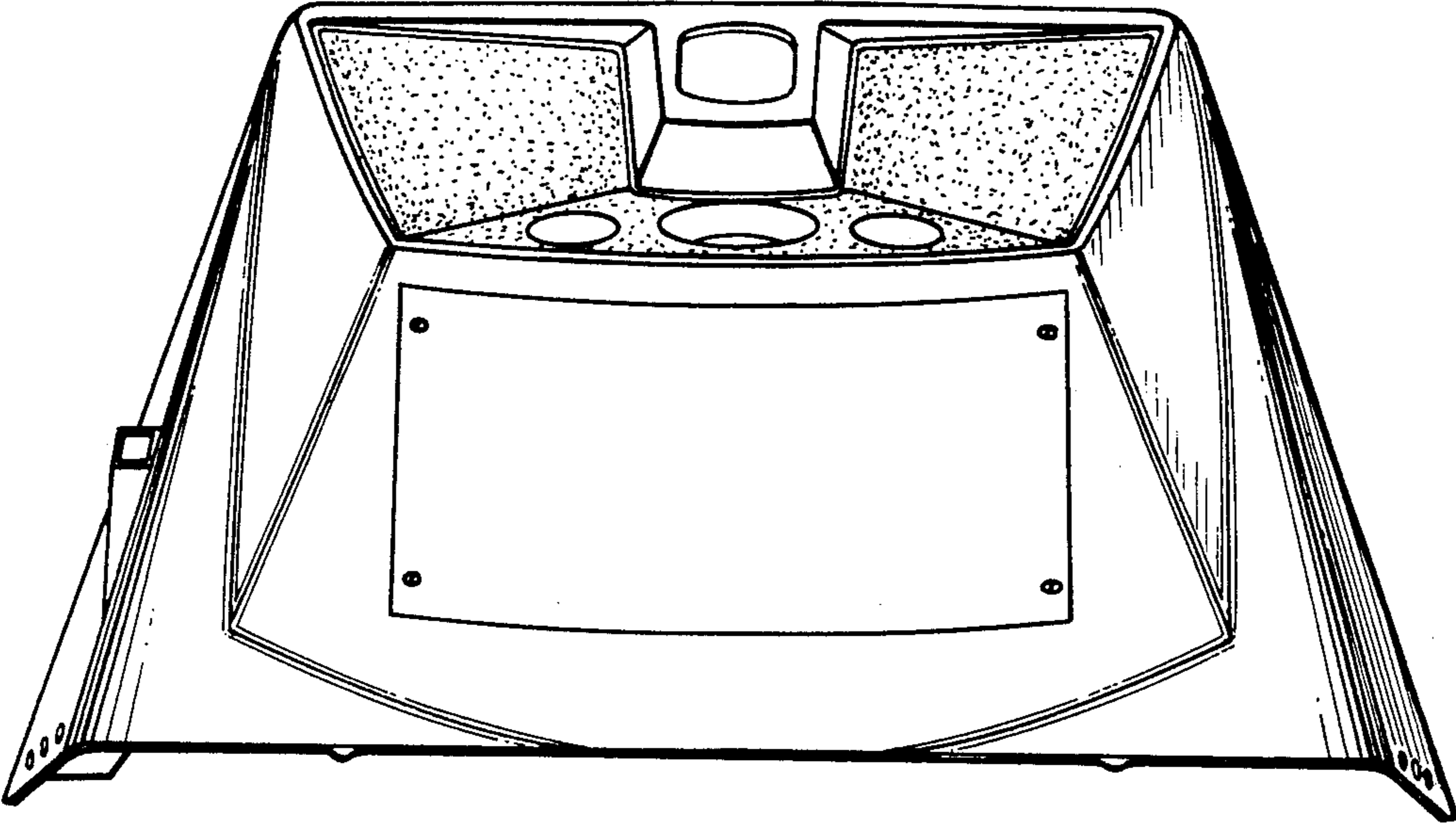


Fig-4

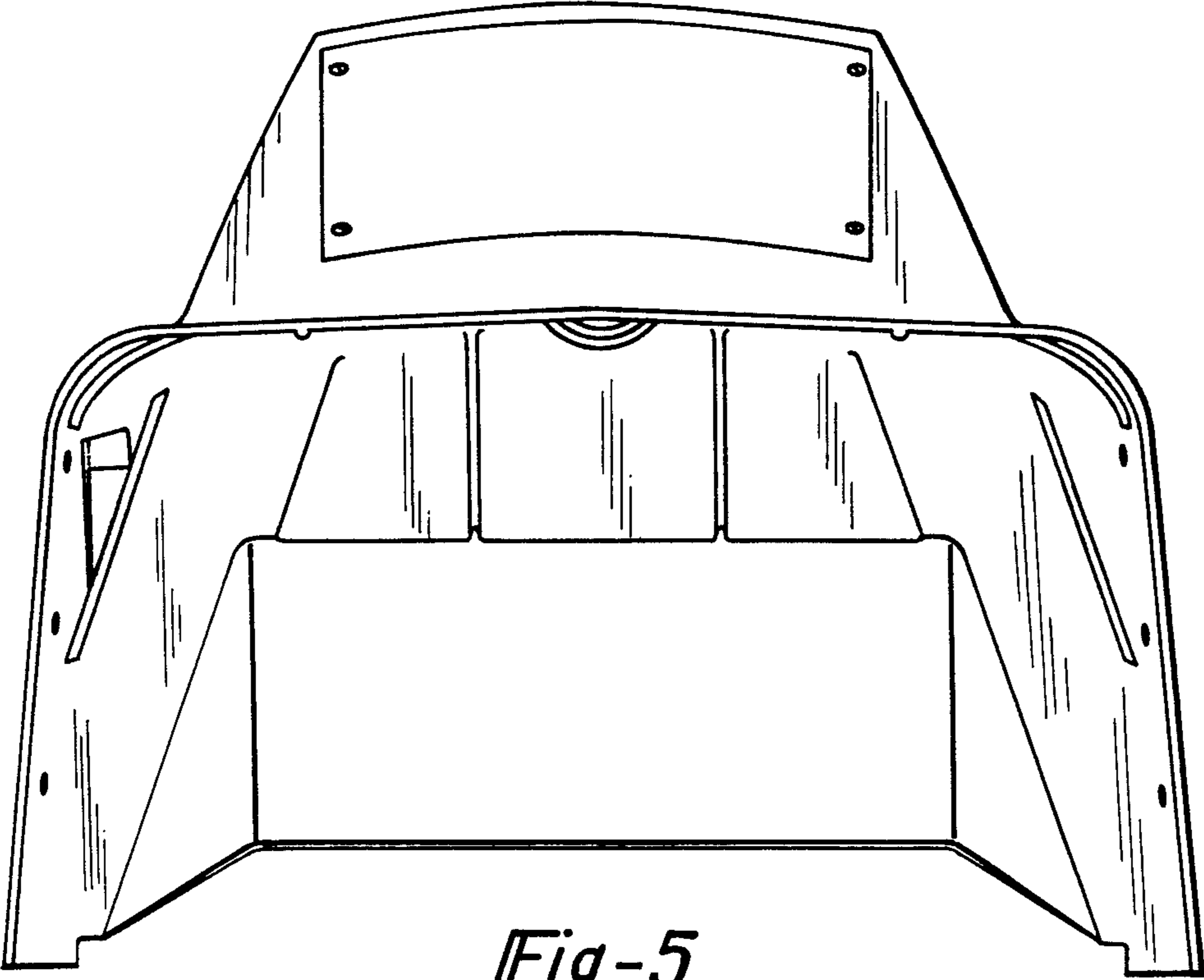


Fig-5

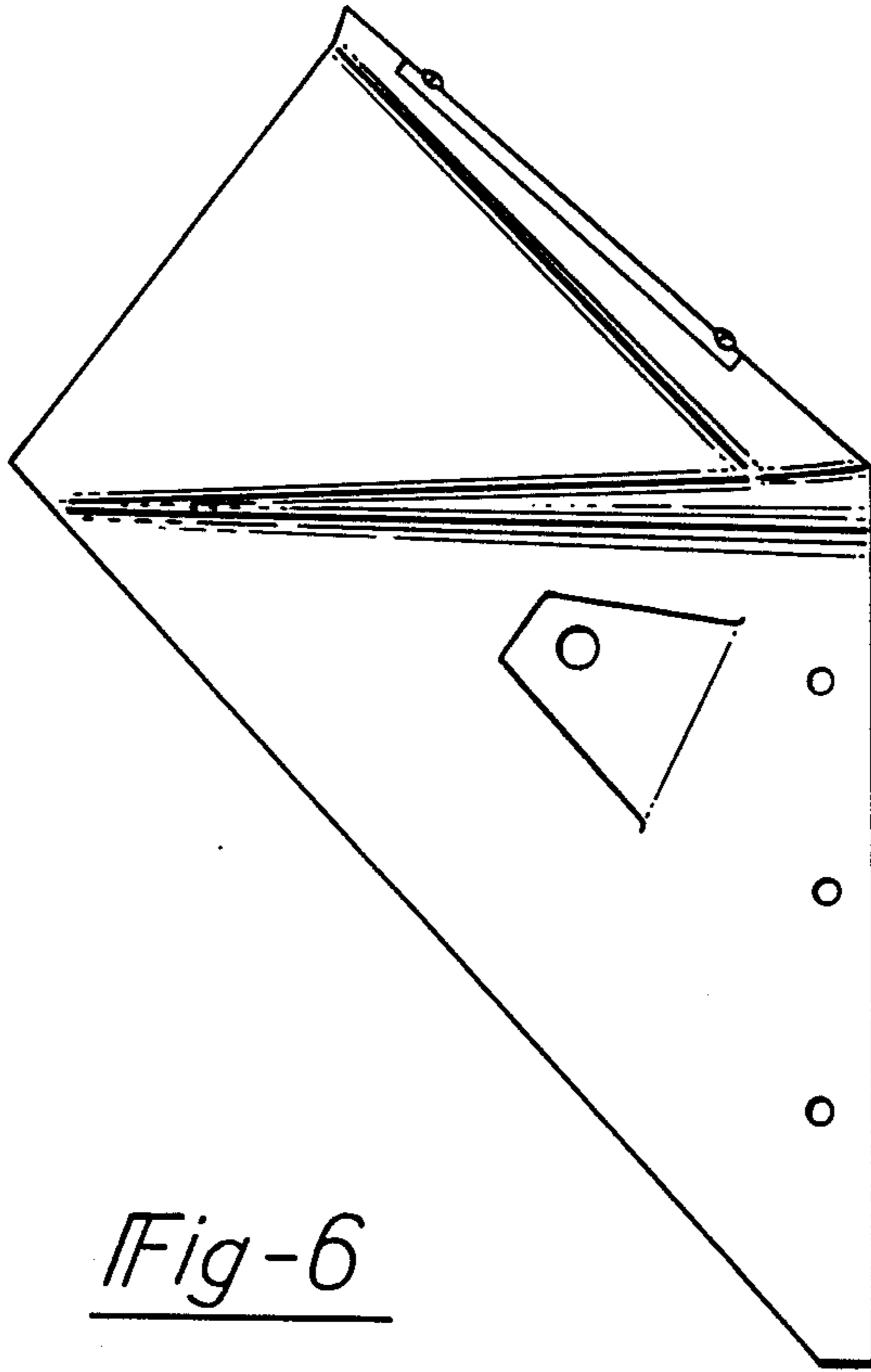


Fig-6