

[54] TRACTOR

[75] Inventors: Horst Emundts, Bochum; Peter Kramer, Troisdorf-Spich, both of Fed. Rep. of Germany

[73] Assignee: Klöckner-Humboldt-Deutz Aktiengesellschaft, Cologne, Fed. Rep. of Germany

[**] Term: 14 Years

[21] Appl. No.: 884,022

[22] Filed: Mar. 6, 1978

[30] Foreign Application Priority Data
Sep. 8, 1977 [DE] Fed. Rep. of Germany 436238

[51] Int. Cl. D15-03

[52] U.S. Cl. D15/23

[58] Field of Search D15/23; 180/1 F, 54 D, 180/89.1, 89.12

[56] References Cited

U.S. PATENT DOCUMENTS

D. 225,521 12/1972 Lorenz et al. D15/23
D. 247,624 3/1978 Emundts et al. D15/23

OTHER PUBLICATIONS

Deere Tractors 80 to 150 HP Brochure, P. 8, 4430 Tractor.

Primary Examiner—James M. Gandy
Attorney, Agent, or Firm—Walter Becker

[57] CLAIM

The ornamental design for a tractor, as shown.

DESCRIPTION

FIG. 1 is a perspective view of a tractor showing our new design;

FIG. 2 is a left side elevational view thereof;

FIG. 3 is a top plan view thereof;

FIG. 4 is a right side elevational view thereof;

FIG. 5 is a rear elevational view thereof; and

FIG. 6 is a front elevational view thereof.

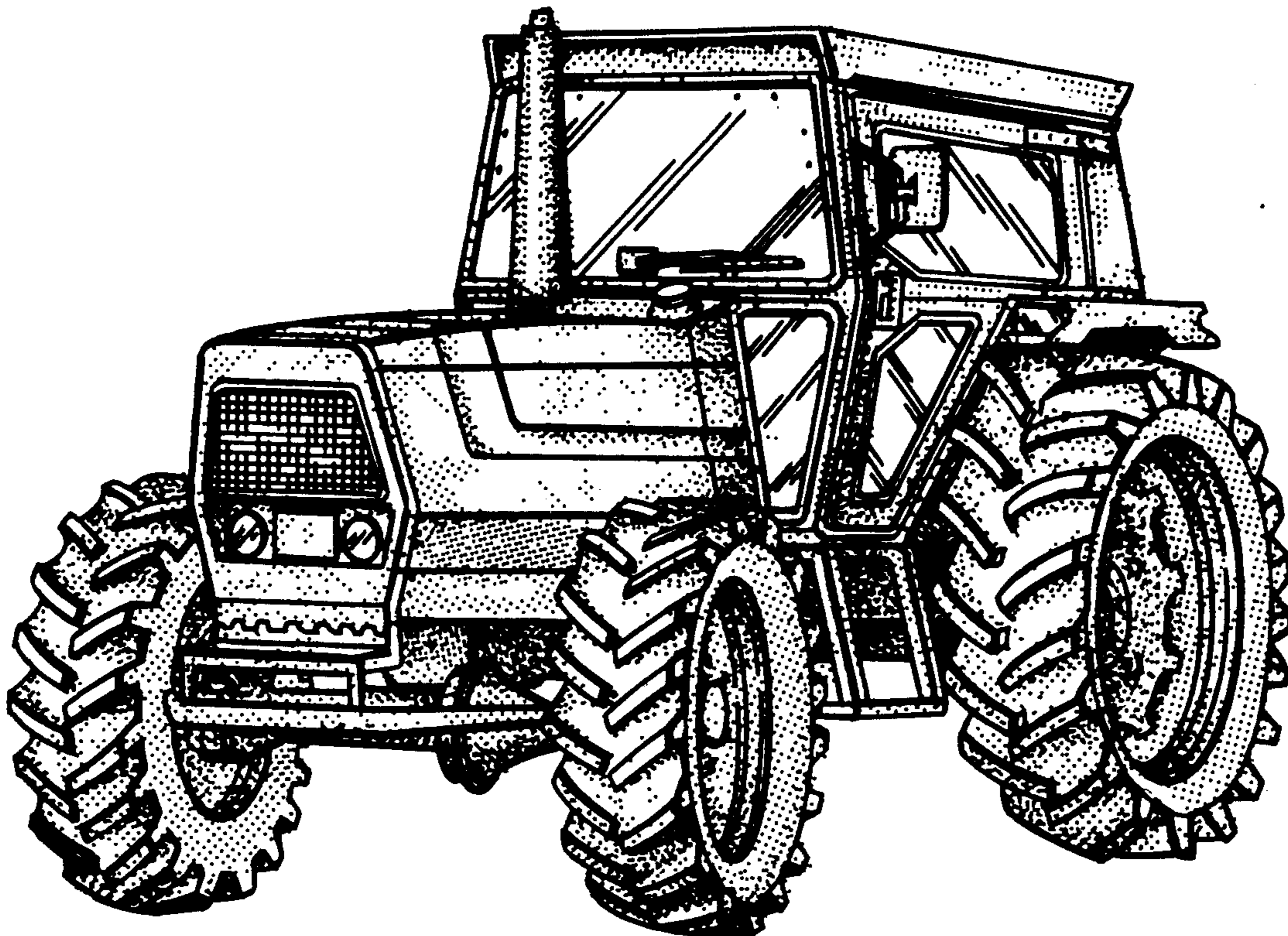


FIG-1

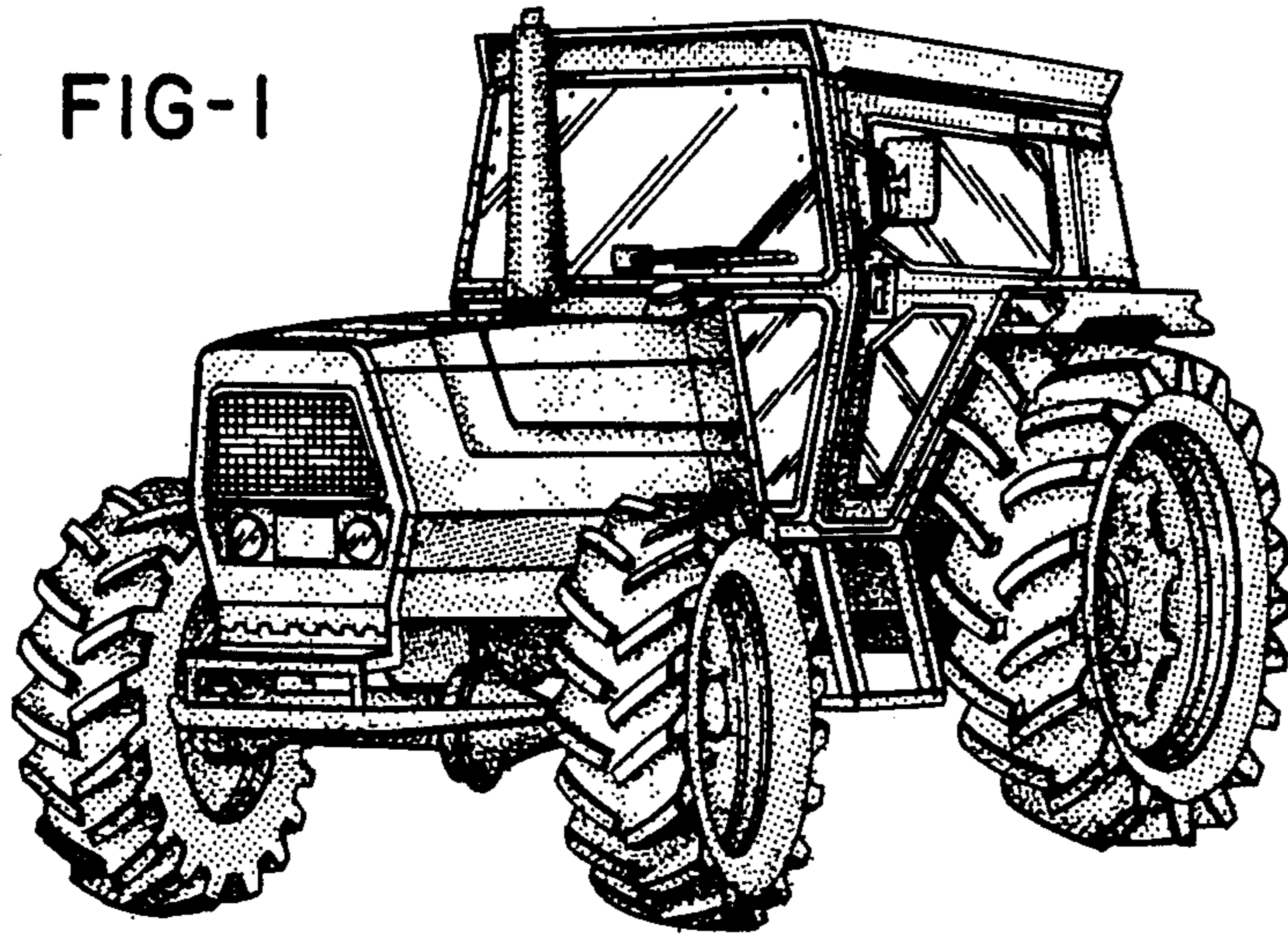


FIG-2

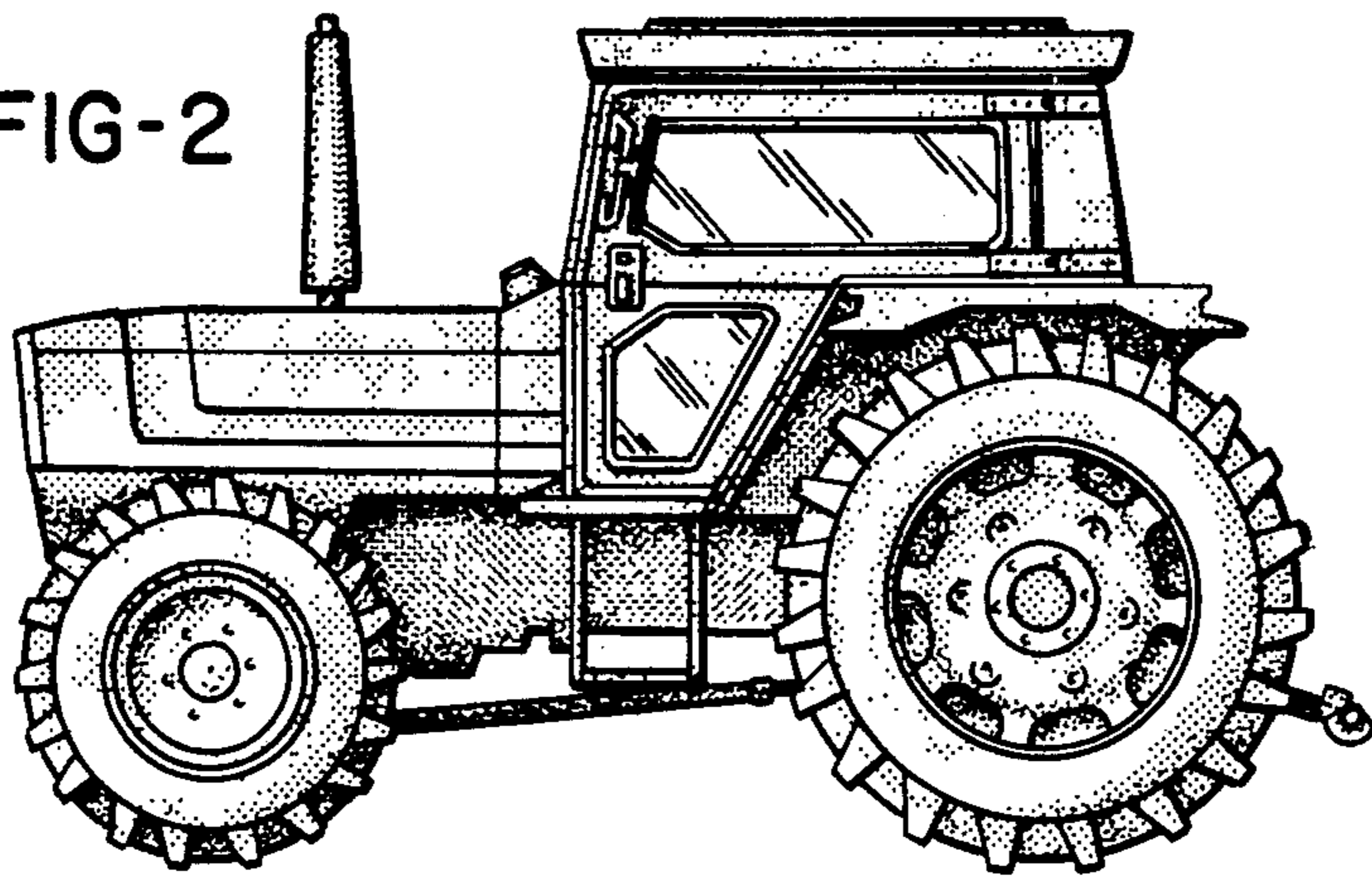


FIG-3

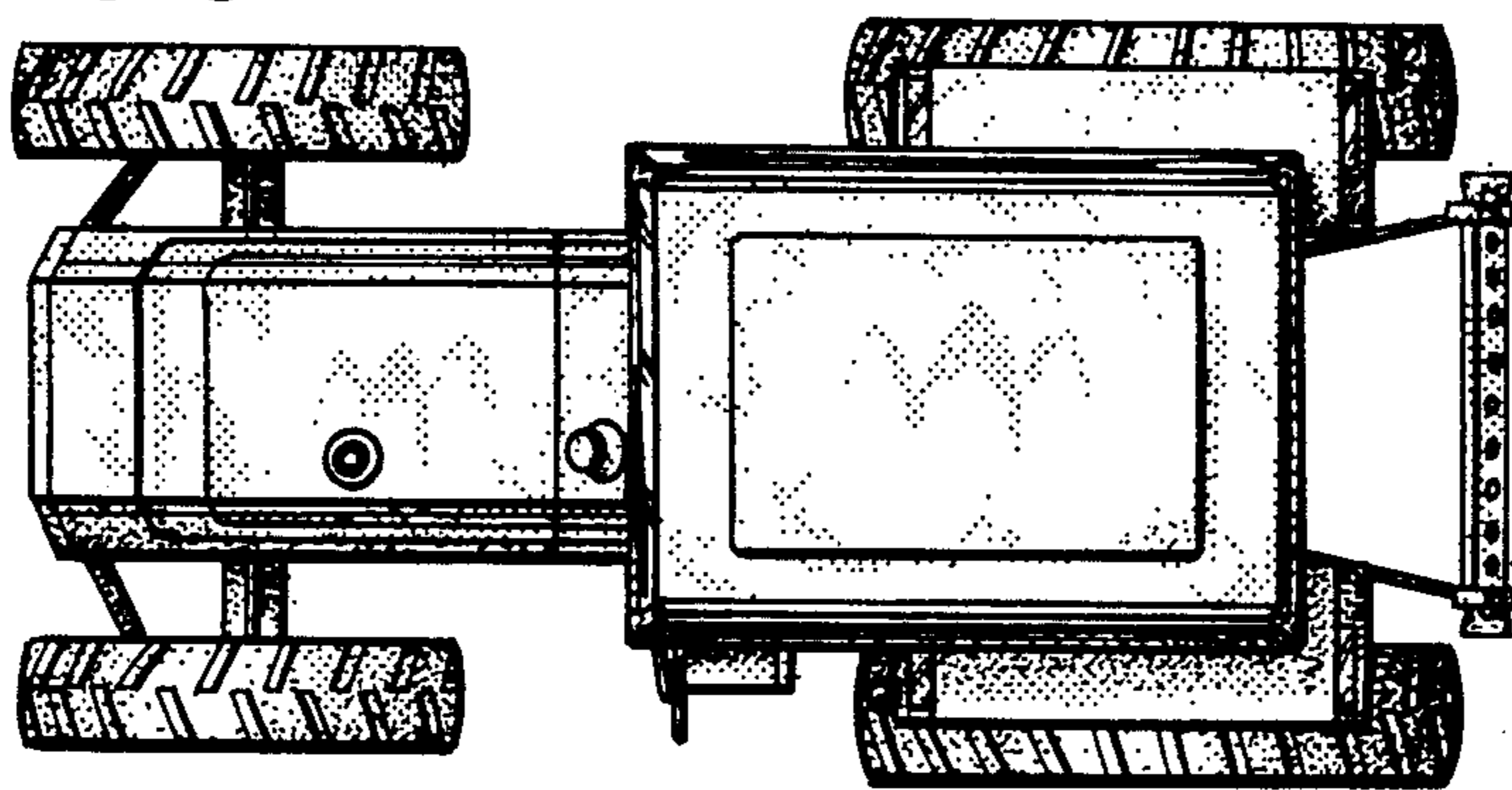


FIG-4

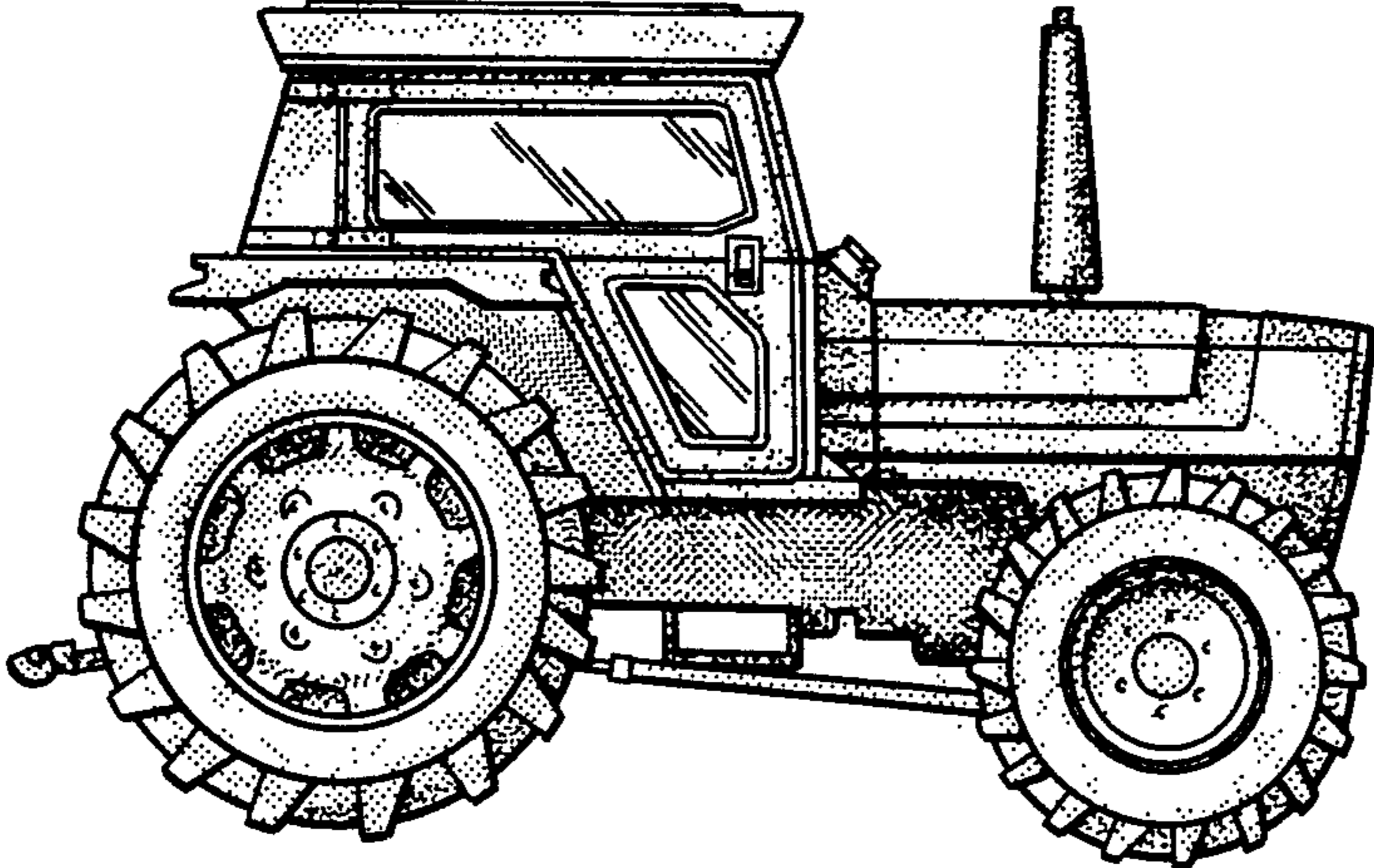


FIG-5

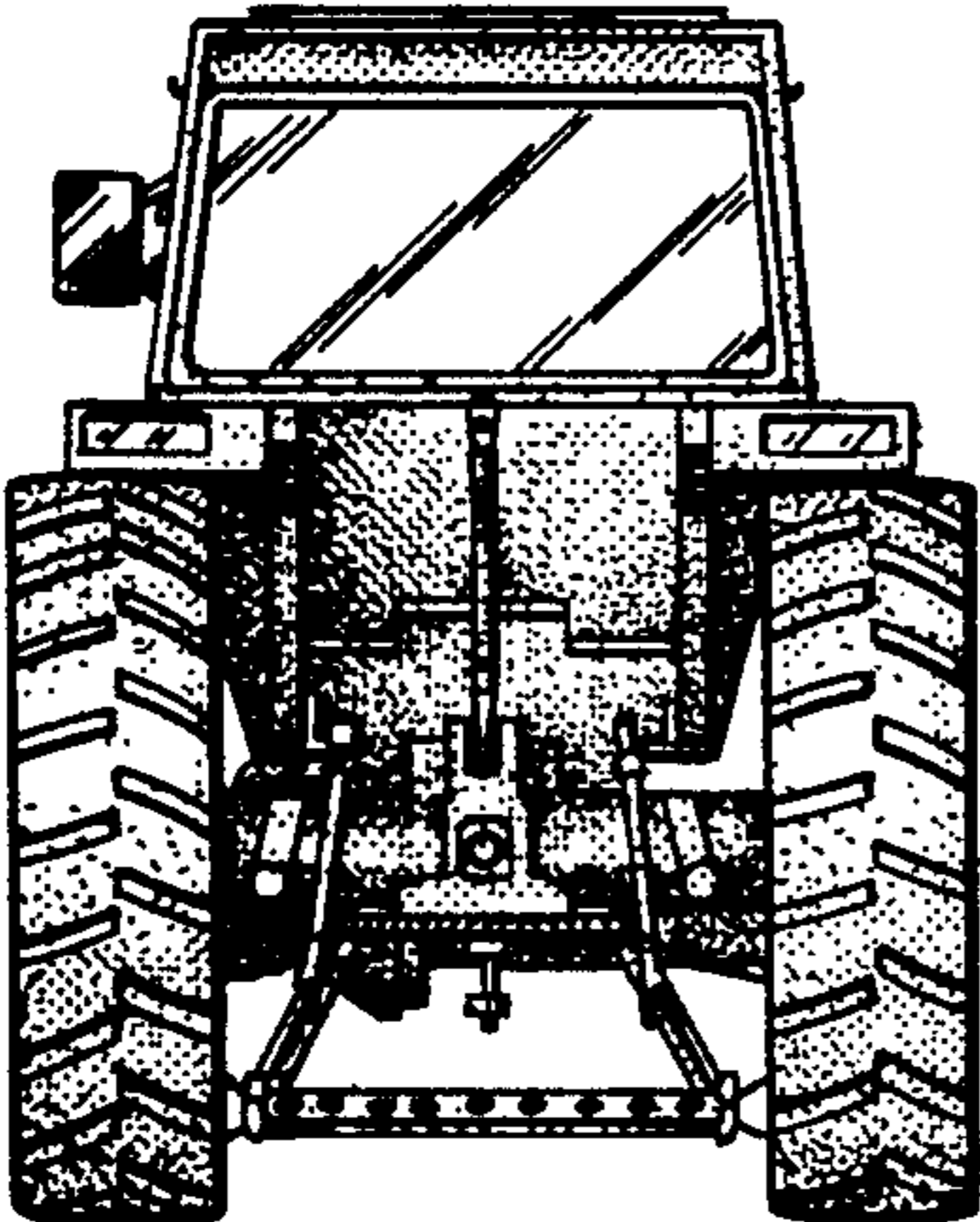


FIG-6

