

[54] PALLET

3,602,157 8/1971 Cohen et al. 108/51.1

[76] Inventor: Gerald M. Chillog, 1531 La Colina,
Tustin, Calif. 92705

FOREIGN PATENT DOCUMENTS

1498808 1/1978 United Kingdom 108/51.1

[**] Term: 7 Years

Primary Examiner—James M. Gandy
Attorney, Agent, or Firm—Willie Krawitz

[21] Appl. No.: 879,686

[57] CLAIM

[22] Filed: Feb. 21, 1978

The ornamental design for a pallet, substantially as shown.

[51] Int. Cl. D9-99

[52] U.S. Cl. D12/53

[58] Field of Search D12/53; 108/51.1, 53.1

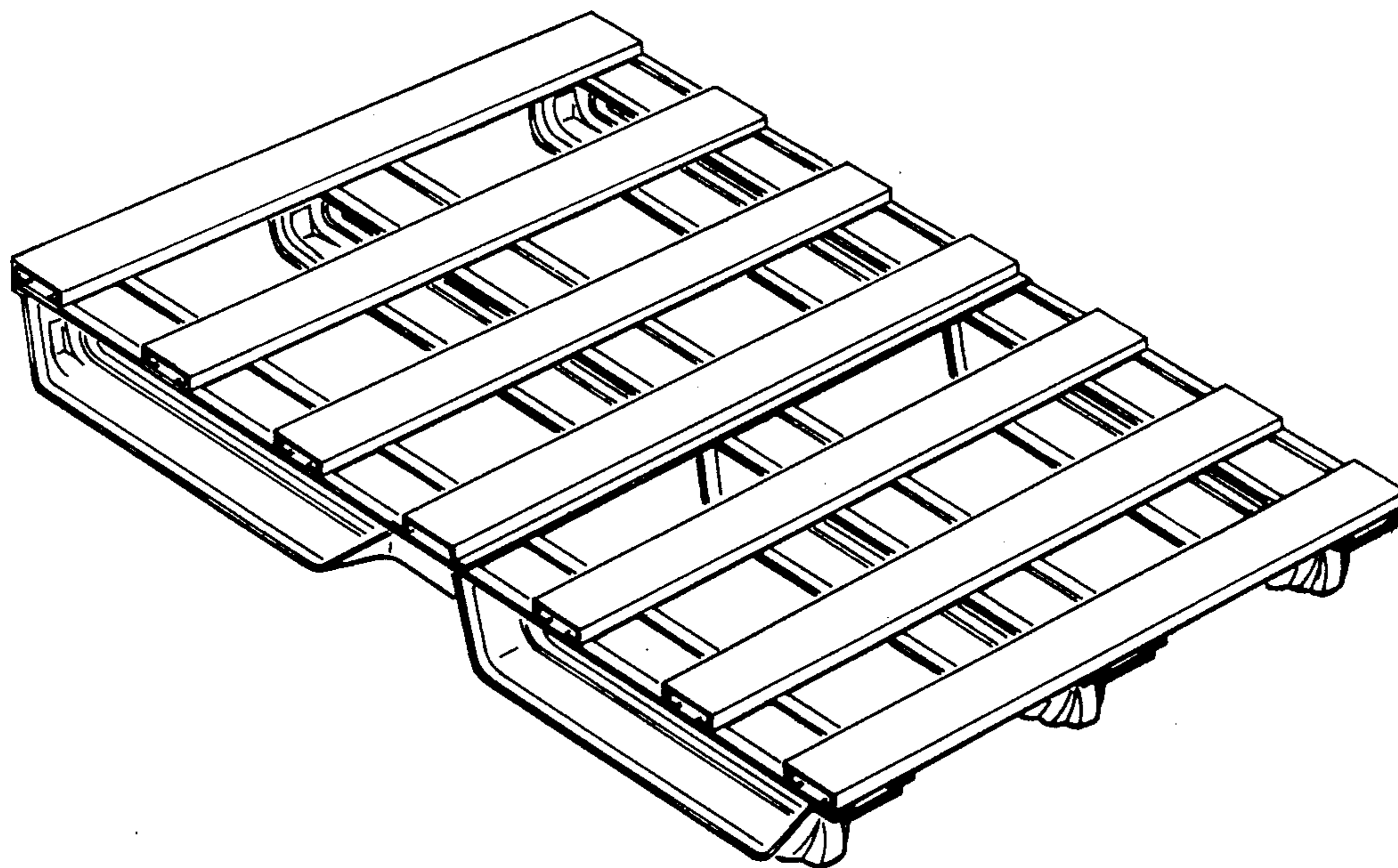
DESCRIPTION

[56] References Cited

FIG. 1 is a perspective view of the pallet showing my new design;
FIG. 2 is a side elevation view thereof;
FIG. 3 is an end elevation view thereof; and,
FIG. 4 is a bottom plan view thereof.

U.S. PATENT DOCUMENTS

3,474,744 10/1969 Montgomery 108/51.1



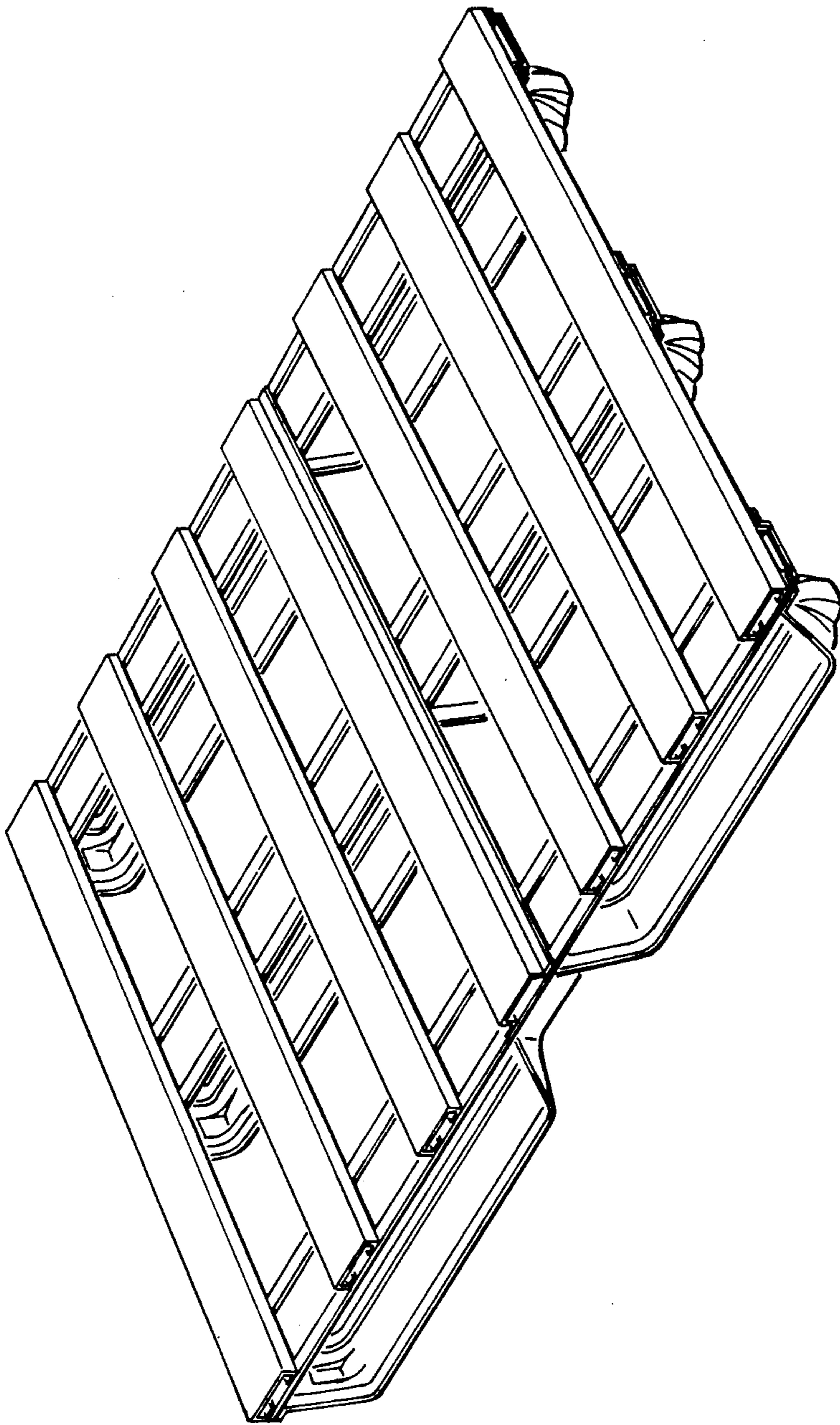


Fig. 1

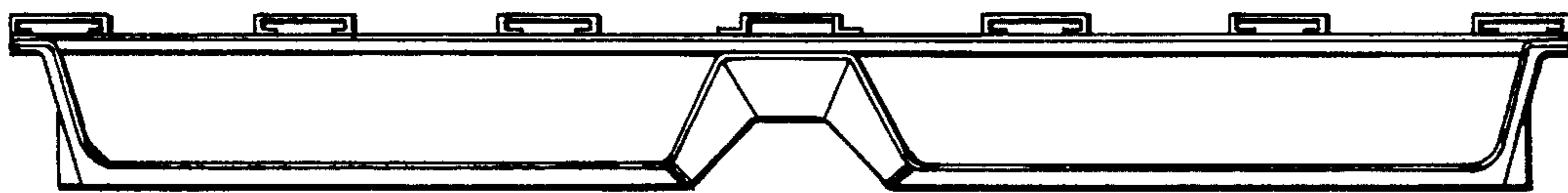


Fig. 2

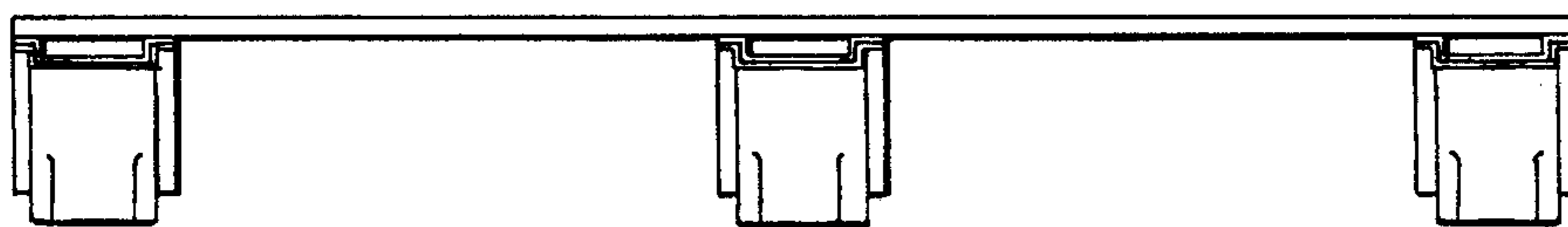


Fig. 3

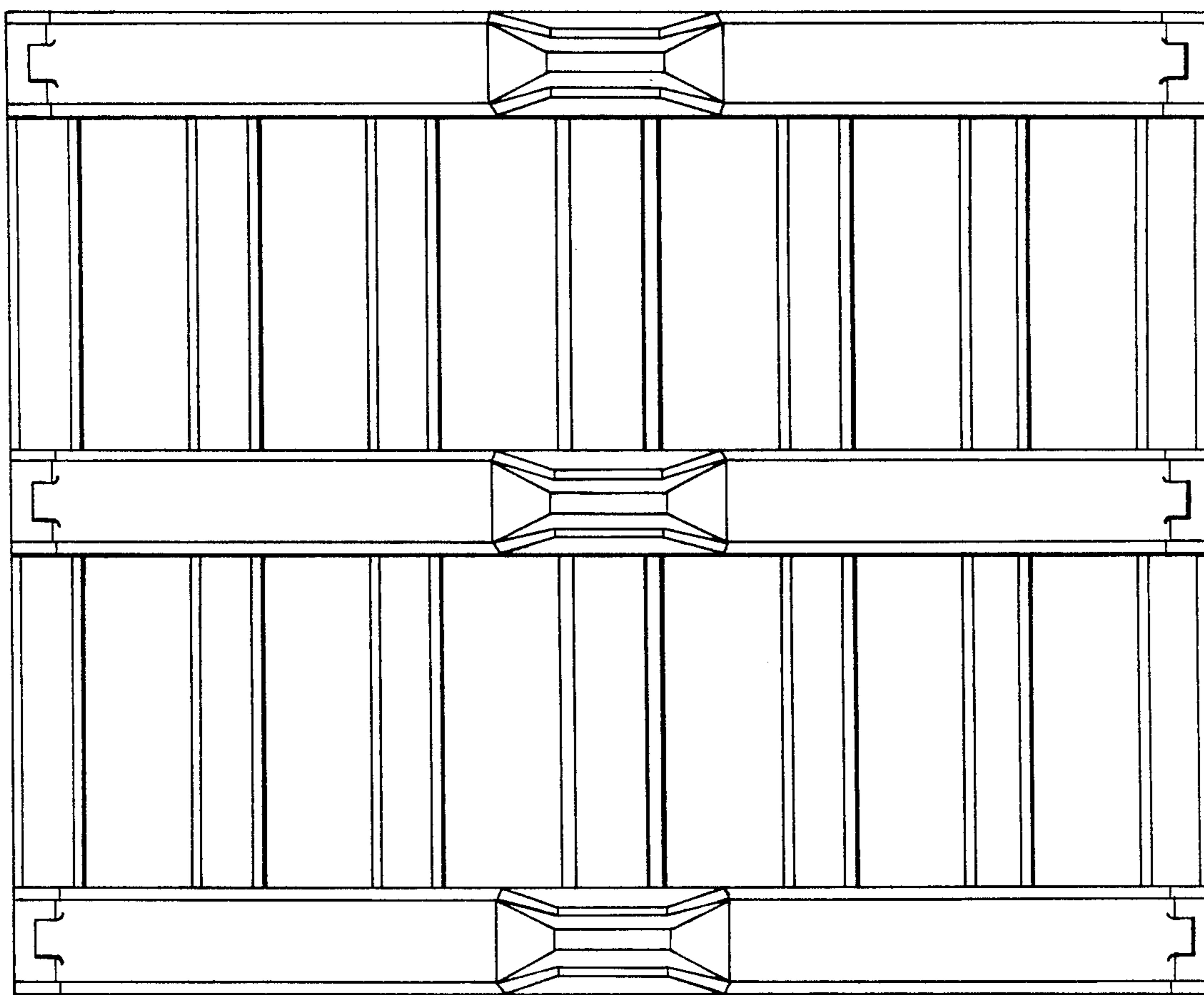


Fig. 4