

[54] REFLECTOR ASSEMBLY

4,105,286 8/1978 Curran 350/97 X

[76] Inventor: Mike H. Curran, 1738 E. Montecito, Phoenix, Ariz. 85016

Primary Examiner—Susan J. Lucas
Attorney, Agent, or Firm—Warren F. B. Lindsley

[**] Term: 14 Years

[57] CLAIM

[21] Appl. No.: 890,852

The ornamental design for a reflector assembly, as shown and described.

[22] Filed: Mar. 27, 1978

DESCRIPTION

[51] Int. Cl. D10-06

FIG. 1 is a perspective view of one side and top of the reflector assembly showing my new design;

[52] U.S. Cl. D10/111

FIG. 2 is a perspective view of the bottom and other side of the reflector assembly shown in FIG. 1;

[58] Field of Search 362/61, 62, 72, 362, 362/311; 340/50, 84, 87, 74, 81 R; D10/109, 111, 113; 350/97-109

FIG. 3 is a cross-sectional view of FIG. 1 taken along the line 3-3;

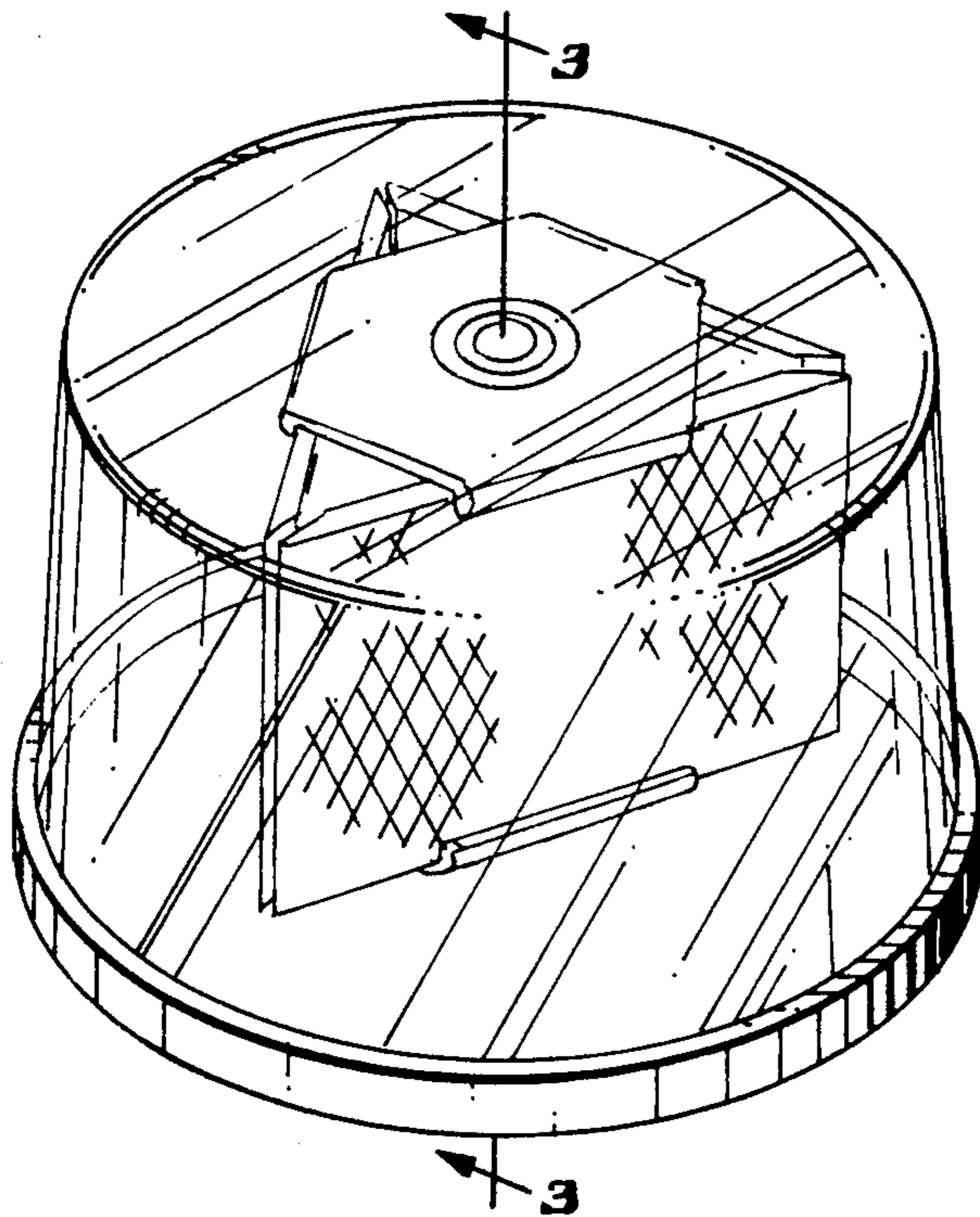
[56] References Cited

U.S. PATENT DOCUMENTS

FIG. 4 is a top view of FIG. 1; and

FIG. 5 is an exploded view of the reflector assembly shown in FIG. 1.

2,426,163 8/1947 Booth 350/100 X



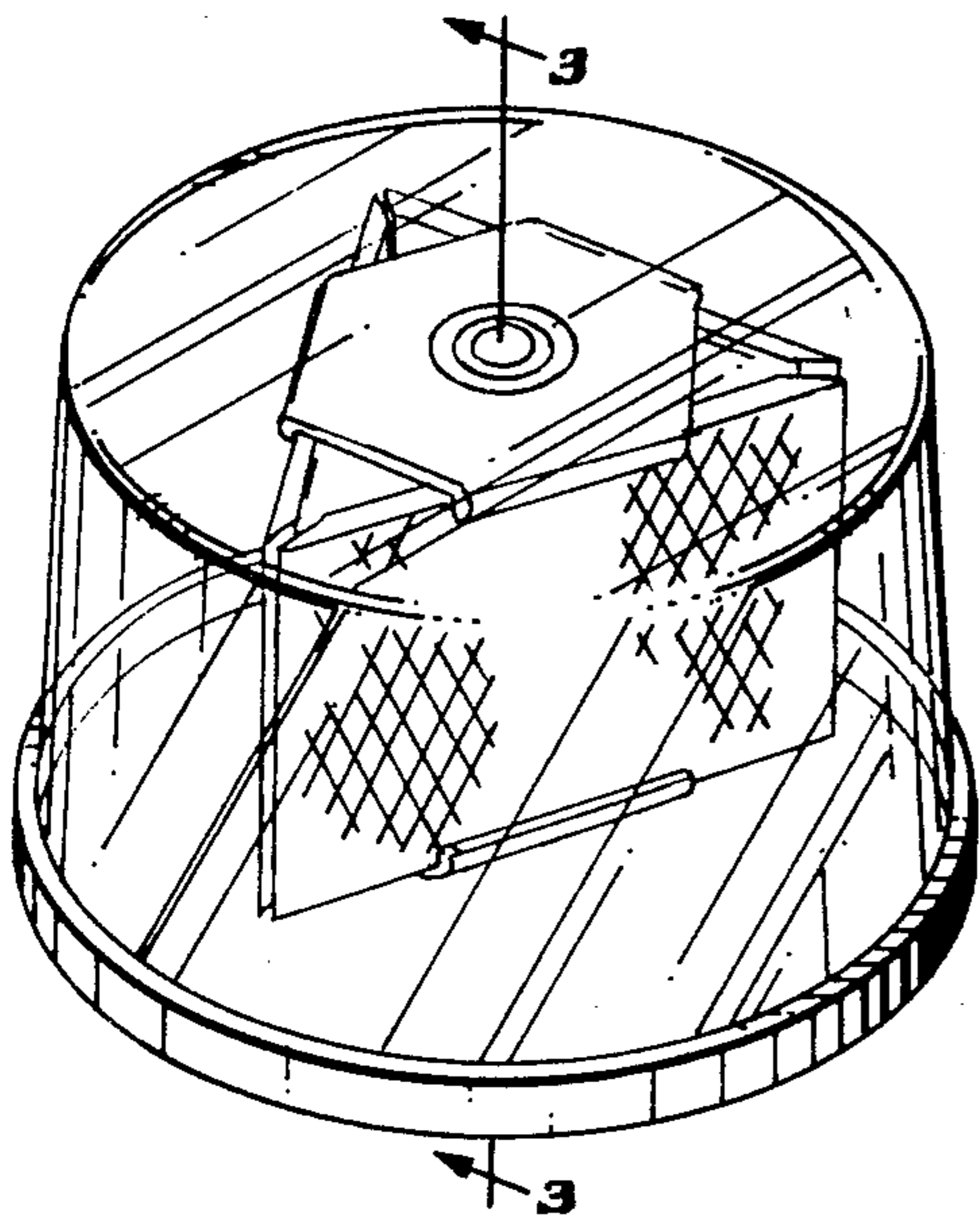


FIG. 1

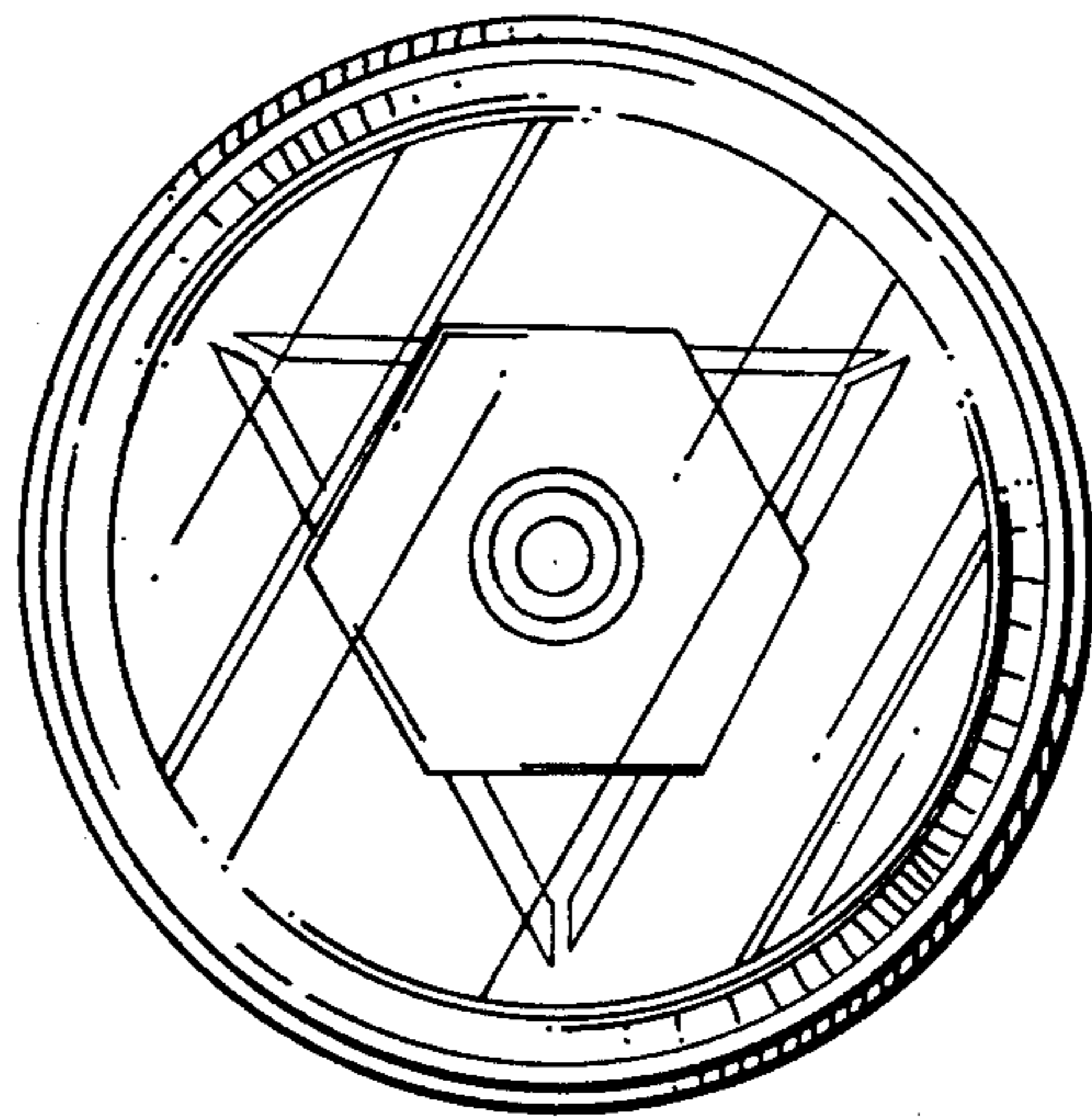


FIG. 4

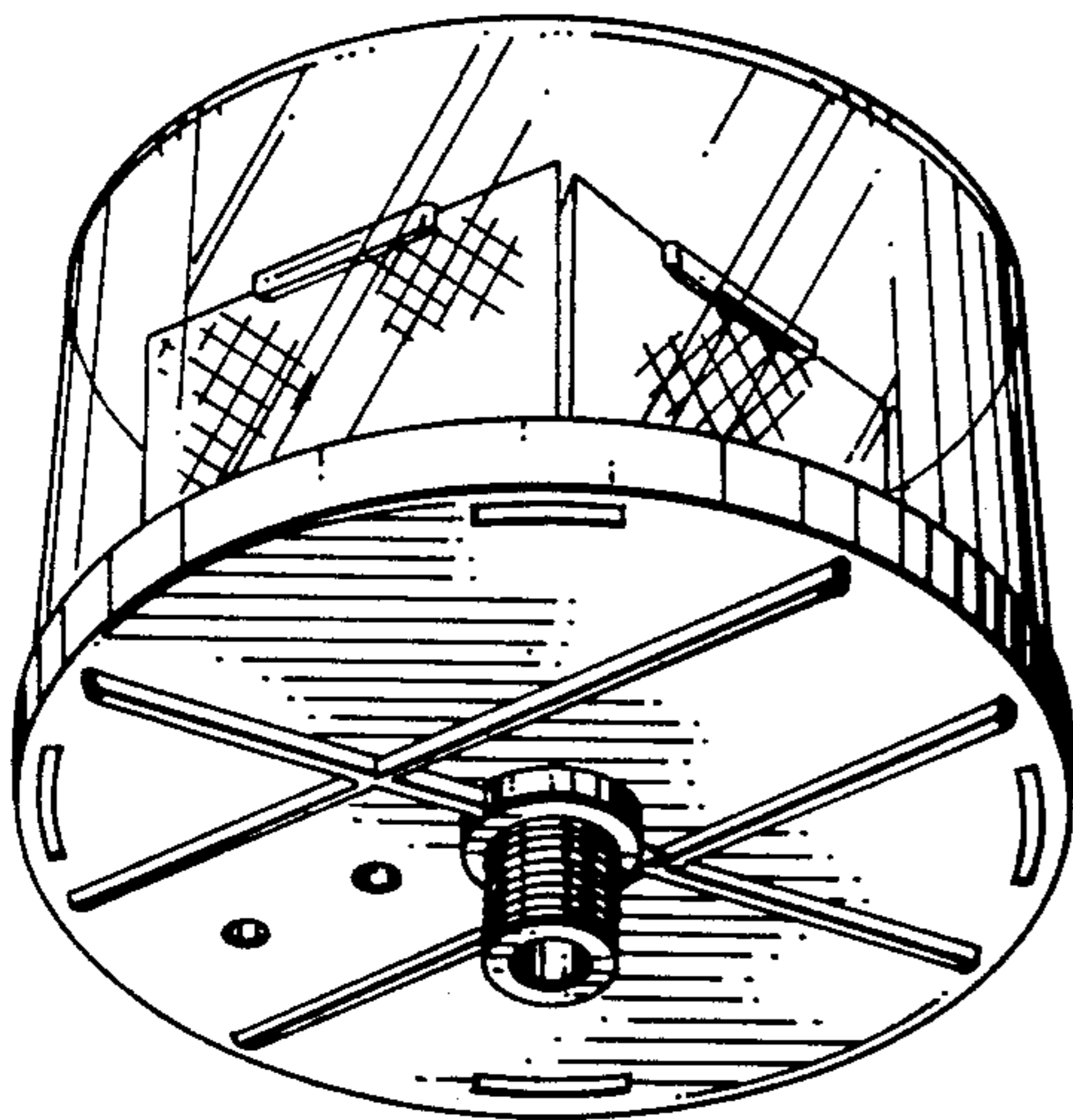


FIG. 2

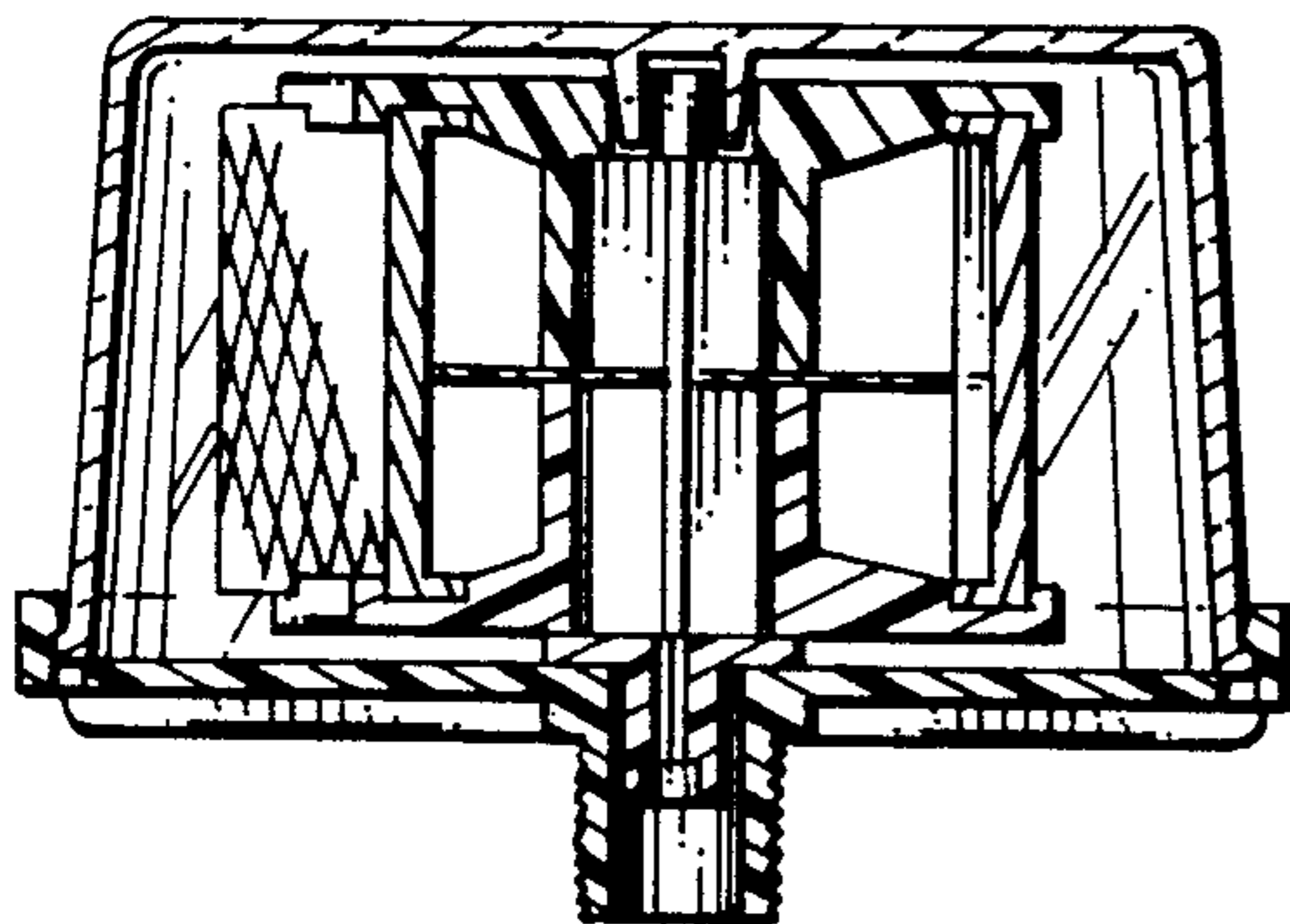


FIG. 3

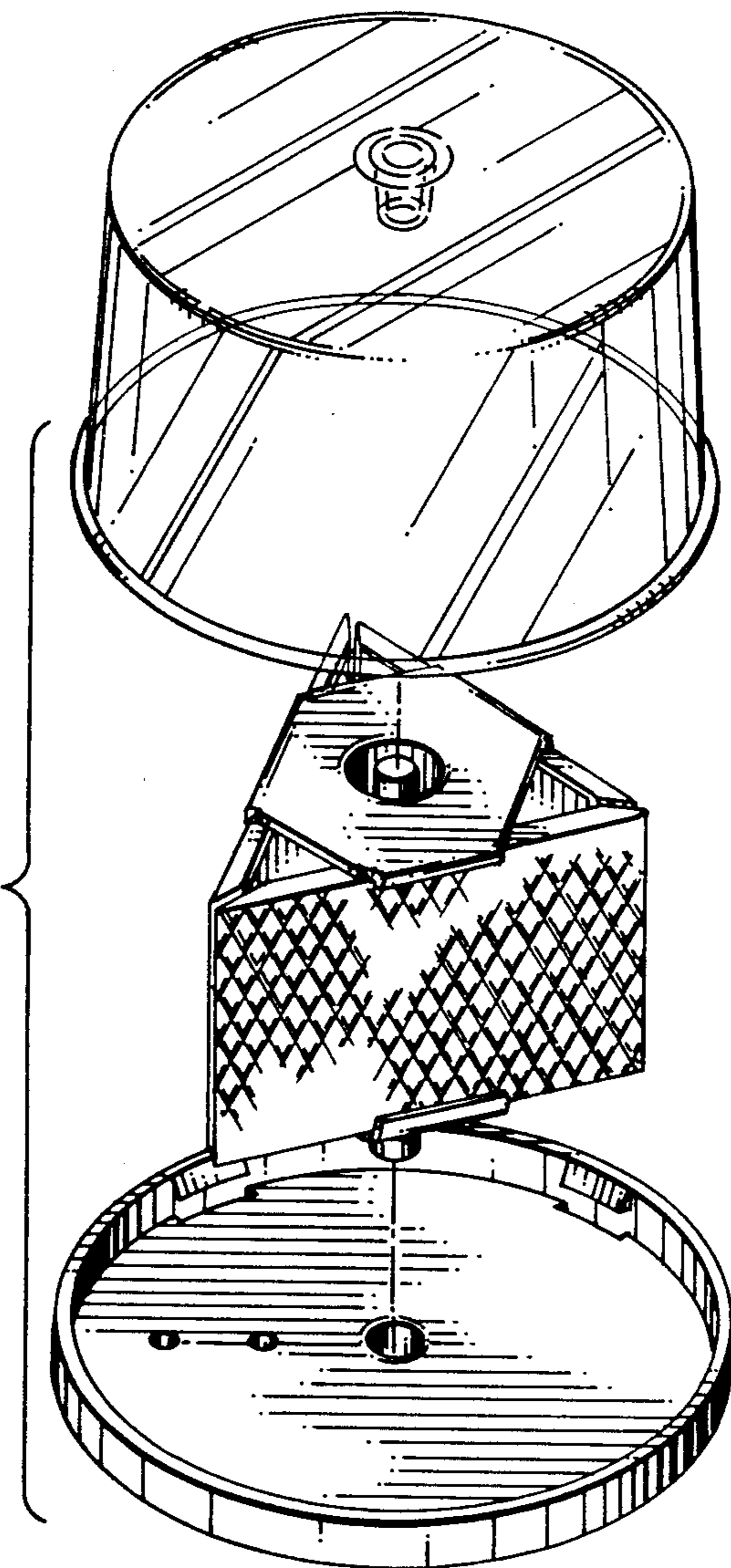


FIG. 5