

[54] **CALIPER**

[75] **Inventor:** H. Jackson Merchant, North Scituate, R.I.
[73] **Assignee:** Brown & Sharpe Manufacturing Company, North Kingstown, R.I.

[**] **Term:** 14 Years

[21] **Appl. No.:** 896,994

[22] **Filed:** Apr. 17, 1978

[51] **Int. Cl.** D10-04
[52] **U.S. Cl.** D10/73
[58] **Field of Search** D10/73; 33/147 T, 147 J, 33/147 R, 147 N

[56] **References Cited**

U.S. PATENT DOCUMENTS

D. 233,787 11/1974 Uchino D10/73
D. 235,627 7/1975 Uchino D10/73
D. 235,628 7/1975 Nishigata D10/73
3,945,121 3/1976 Uchino 33/147 T

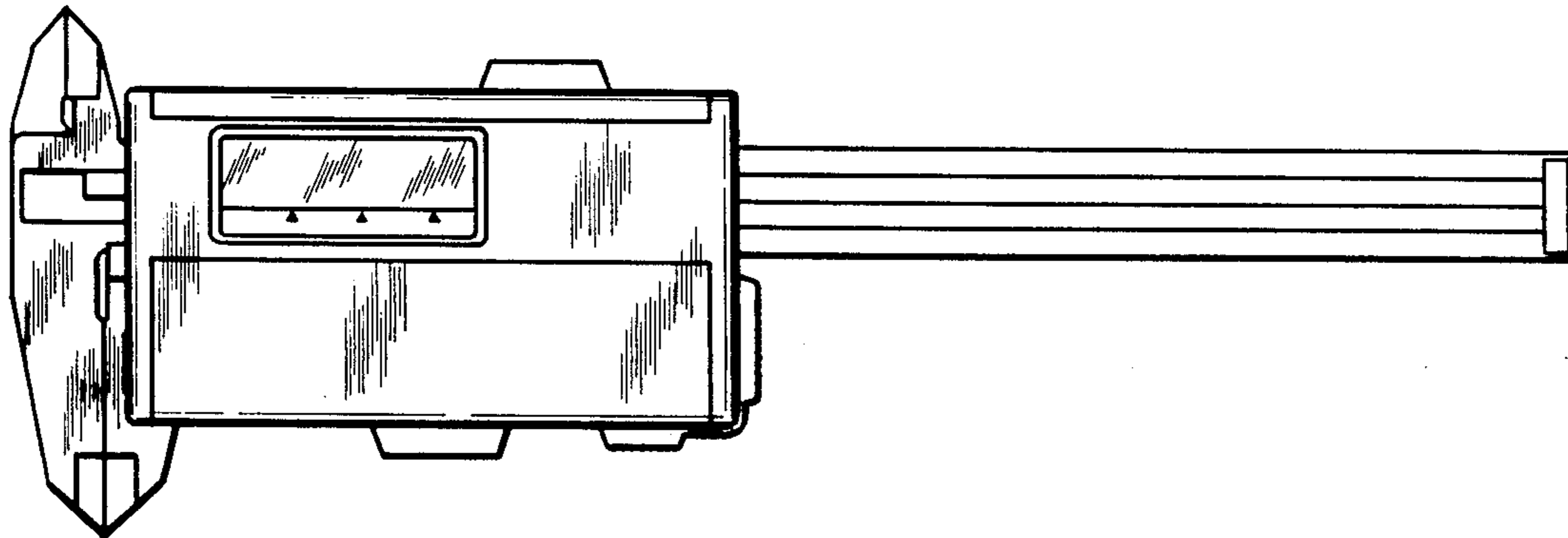
Primary Examiner—Nelson C. Holtje
Attorney, Agent, or Firm—Herbert B. Barlow

[57] **CLAIM**

The ornamental design for a caliper, as shown.

DESCRIPTION

FIG. 1 is a perspective view of a caliper showing my new design;
FIG. 2 is a front elevational view thereof;
FIG. 3 is a top plan view thereof;
FIG. 4 is a rear elevational view thereof;
FIG. 5 is a bottom plan view thereof;
FIG. 6 is a left side elevational view thereof;
FIG. 7 is a right side elevational view thereof.



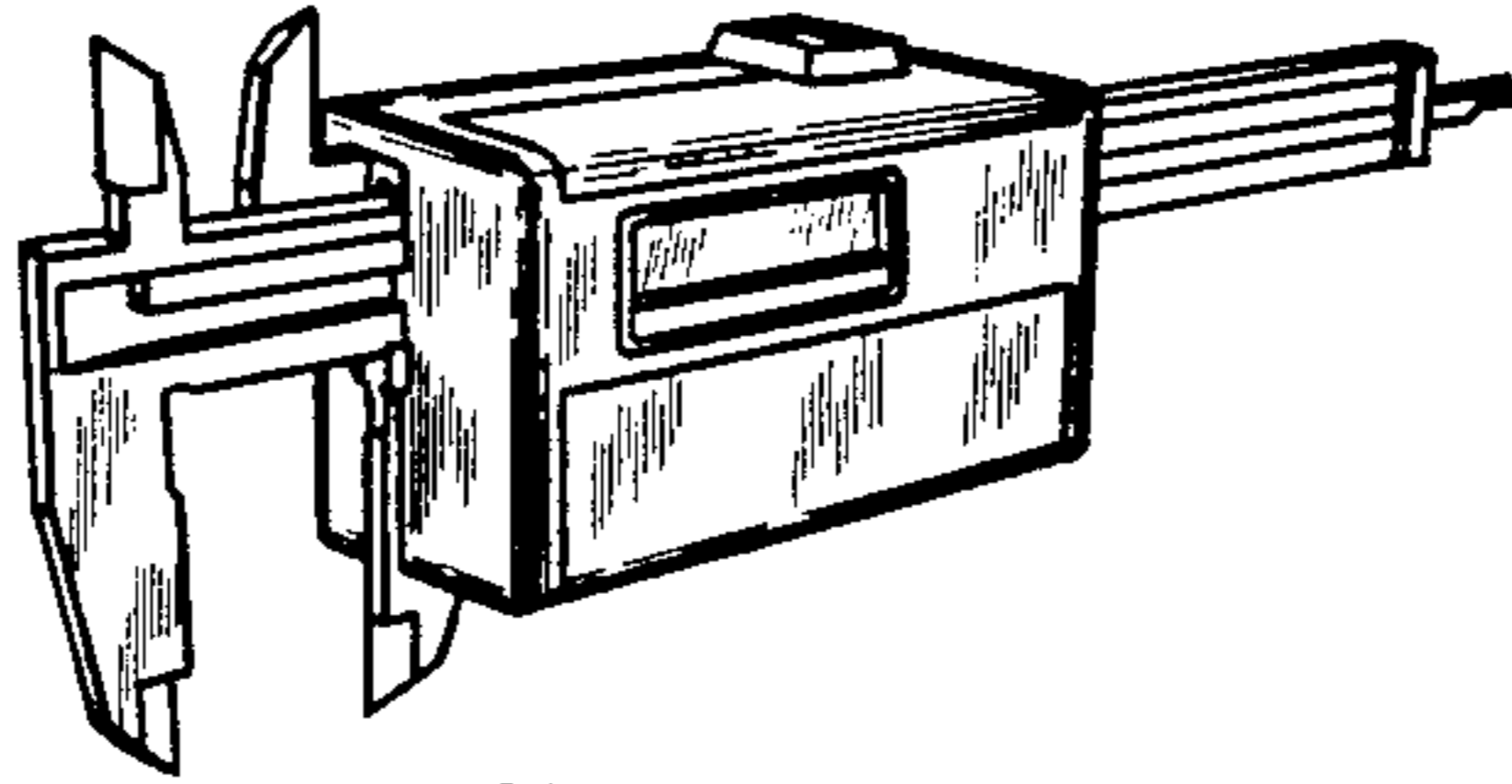


FIG. 1

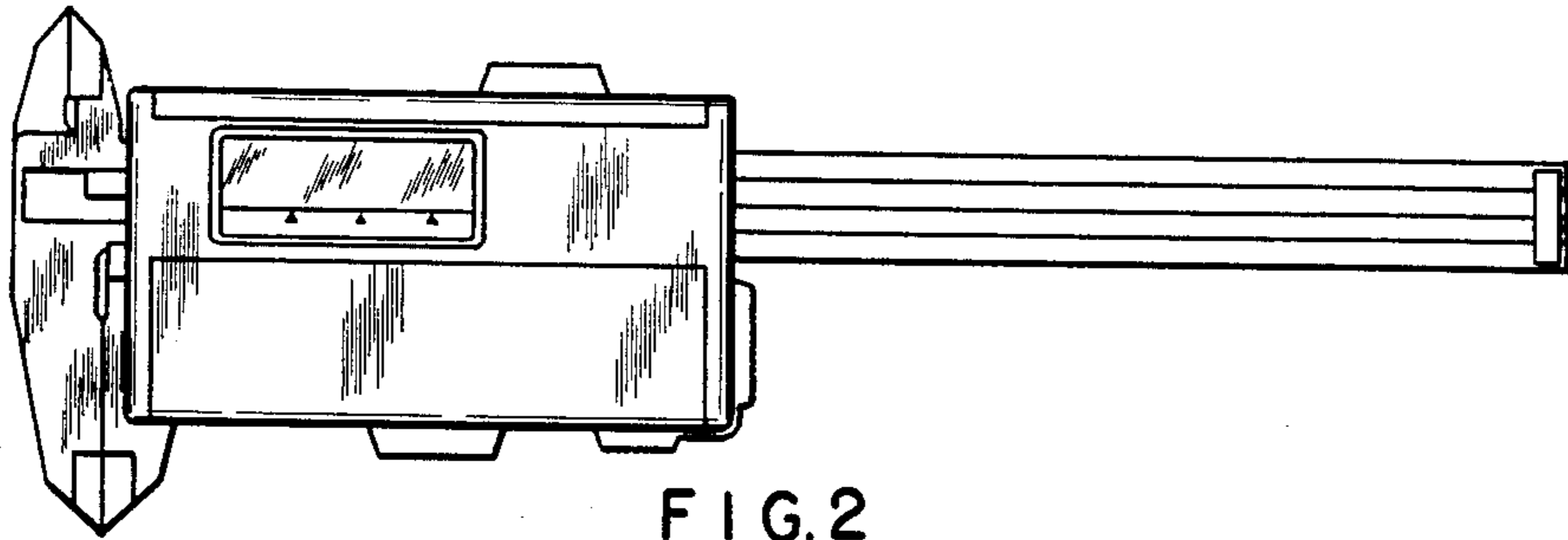


FIG. 2

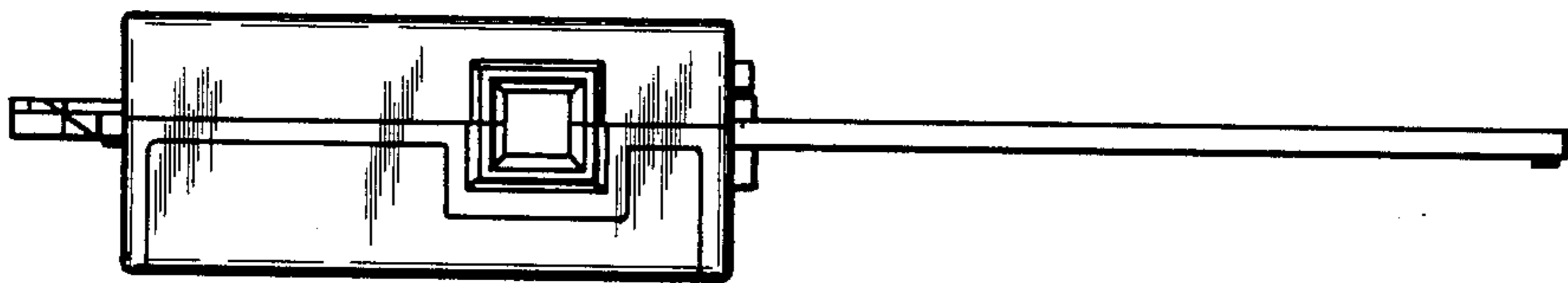


FIG. 3

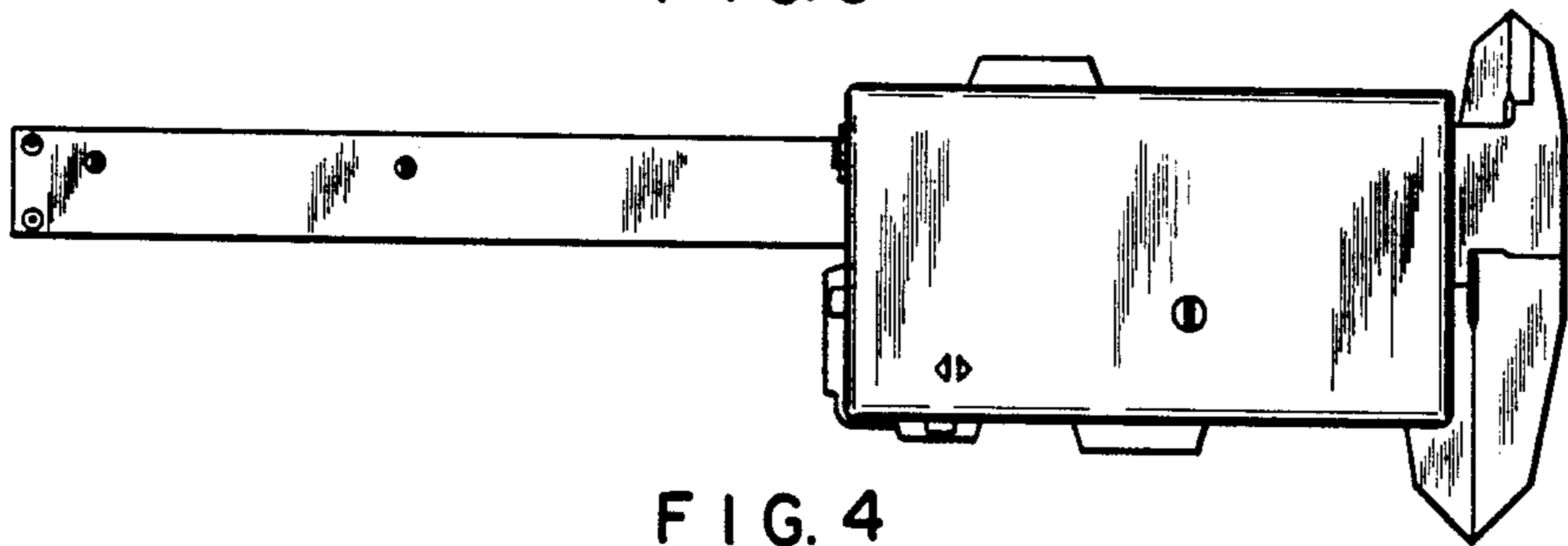


FIG. 4

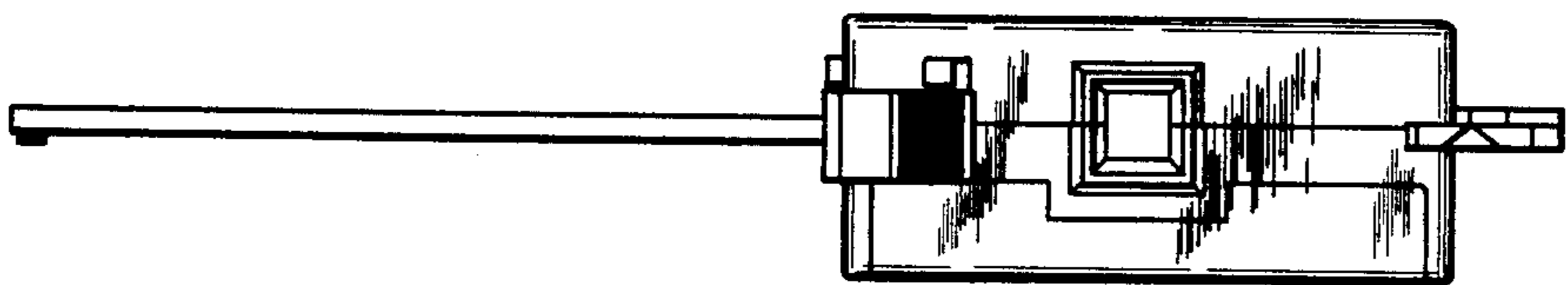


FIG. 5

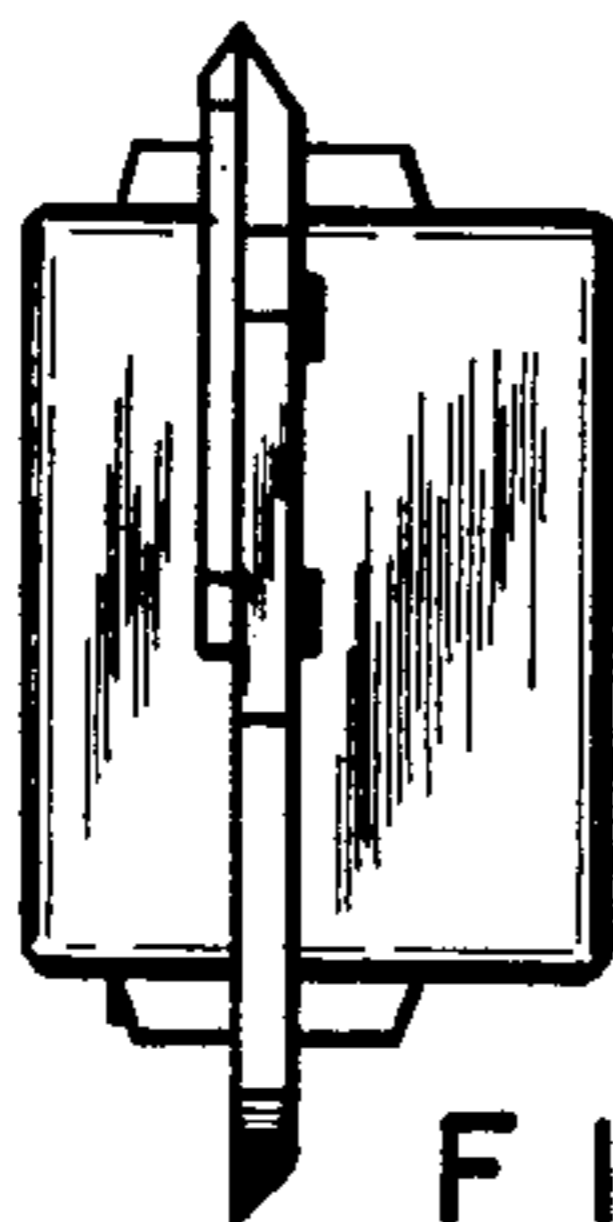


FIG. 6

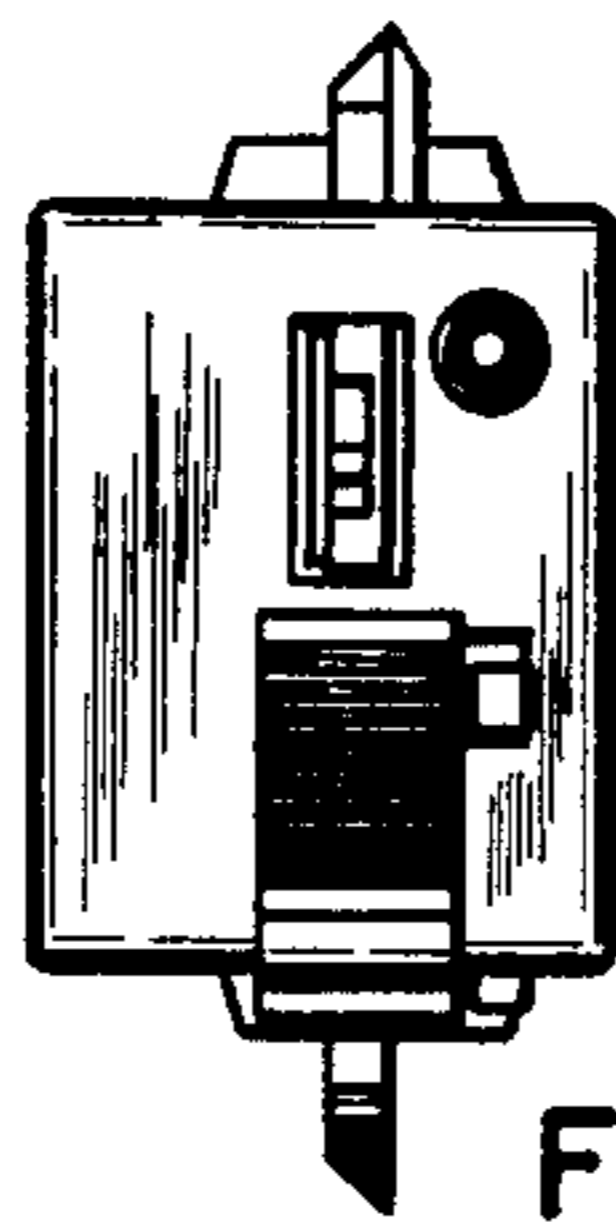


FIG. 7