

[54] DISPENSING CLOSURE

[75] Inventor: William G. Kinslow, Kansas City, Mo.

[73] Assignee: Ethyl Development Corporation, Baton Rouge, La.

[**] Term: 14 Years

[21] Appl. No.: 908,056

[22] Filed: May 22, 1978

[51] Int. Cl. D09-99

[52] U.S. Cl. D9/275

[58] Field of Search D9/253, 254, 207, 275; 215/237, 321; 220/254, 307, 337, 339, 306; 222/480, 556, 565

[56] References Cited

U.S. PATENT DOCUMENTS

3,872,996 3/1975 Dogliotti 220/254

FOREIGN PATENT DOCUMENTS

1258979 1/1972 United Kingdom 220/339

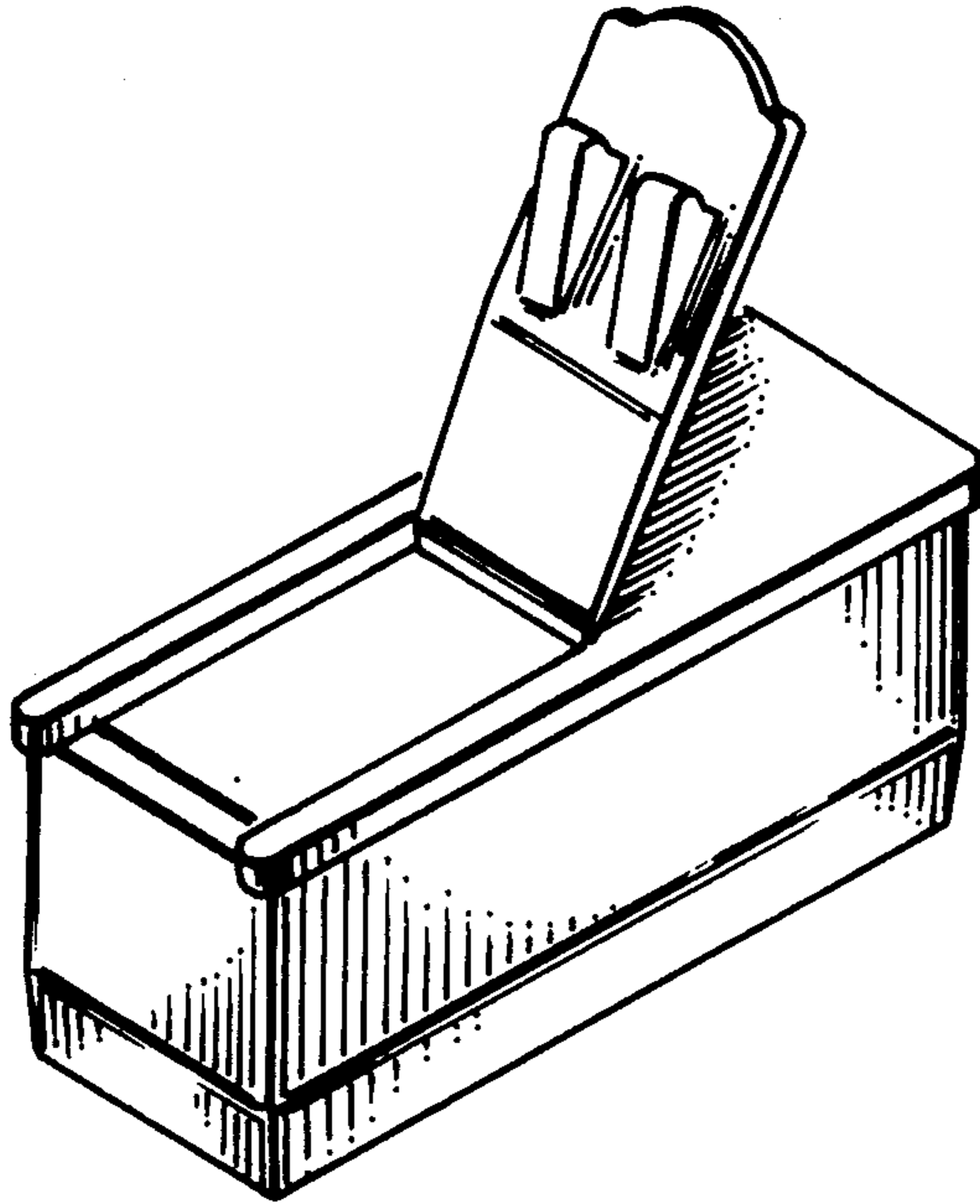
Primary Examiner—Joel Stearman
Assistant Examiner—Carmen H. Vales
Attorney, Agent, or Firm—Donald L. Johnson

[57] CLAIM

The ornamental design for a dispensing closure, substantially as shown and described.

DESCRIPTION

FIG. 1 is a perspective view of a dispensing closure showing my new design in open condition; FIG. 2 is a perspective view of a dispensing closure in closed condition; FIG. 3 is a top plan view thereof; FIG. 4 is a right side elevational view thereof; FIG. 5 is a bottom plan view thereof; FIG. 6 is a rear end view thereof; and FIG. 7 is a front end view thereof.



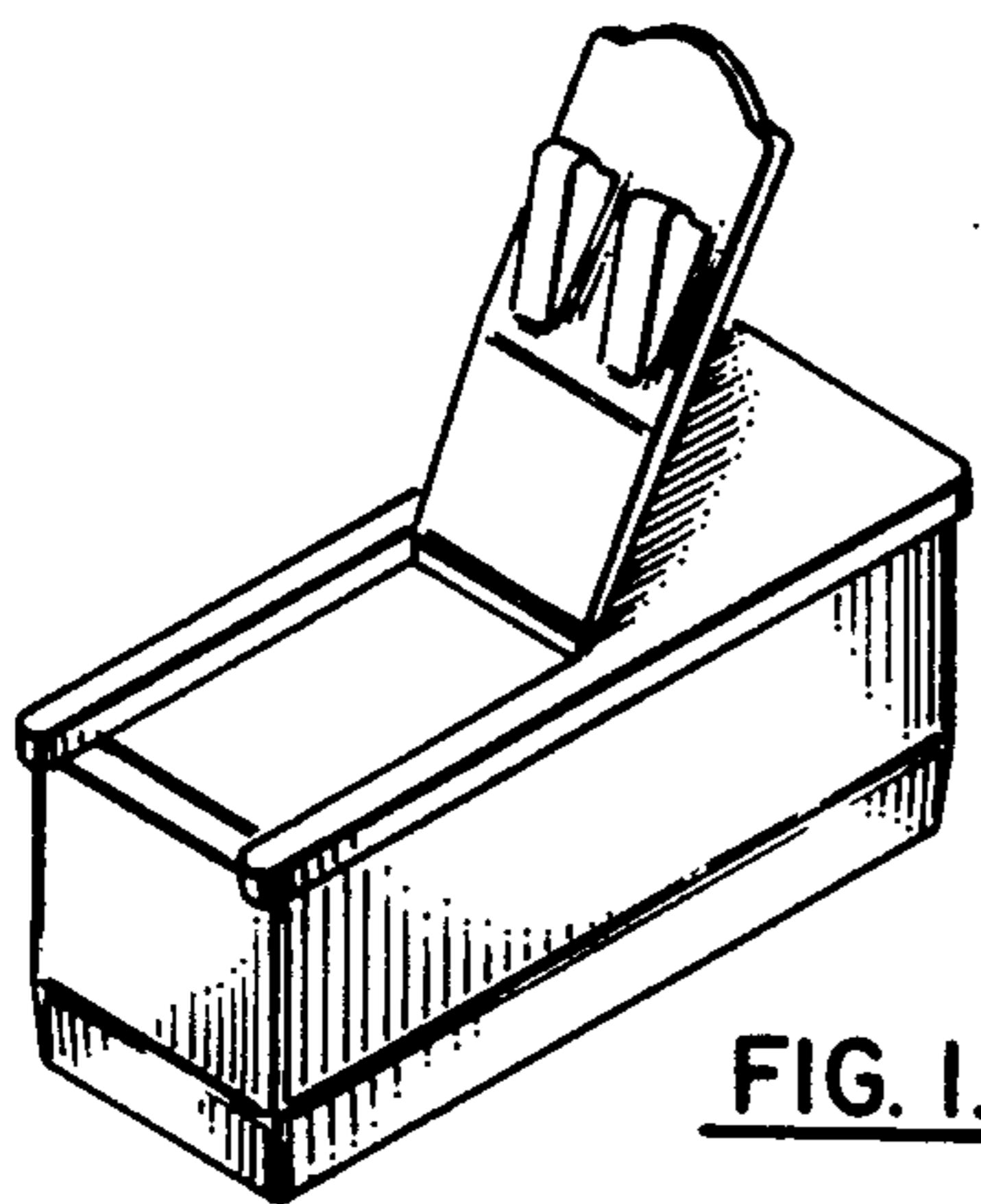


FIG. 1.

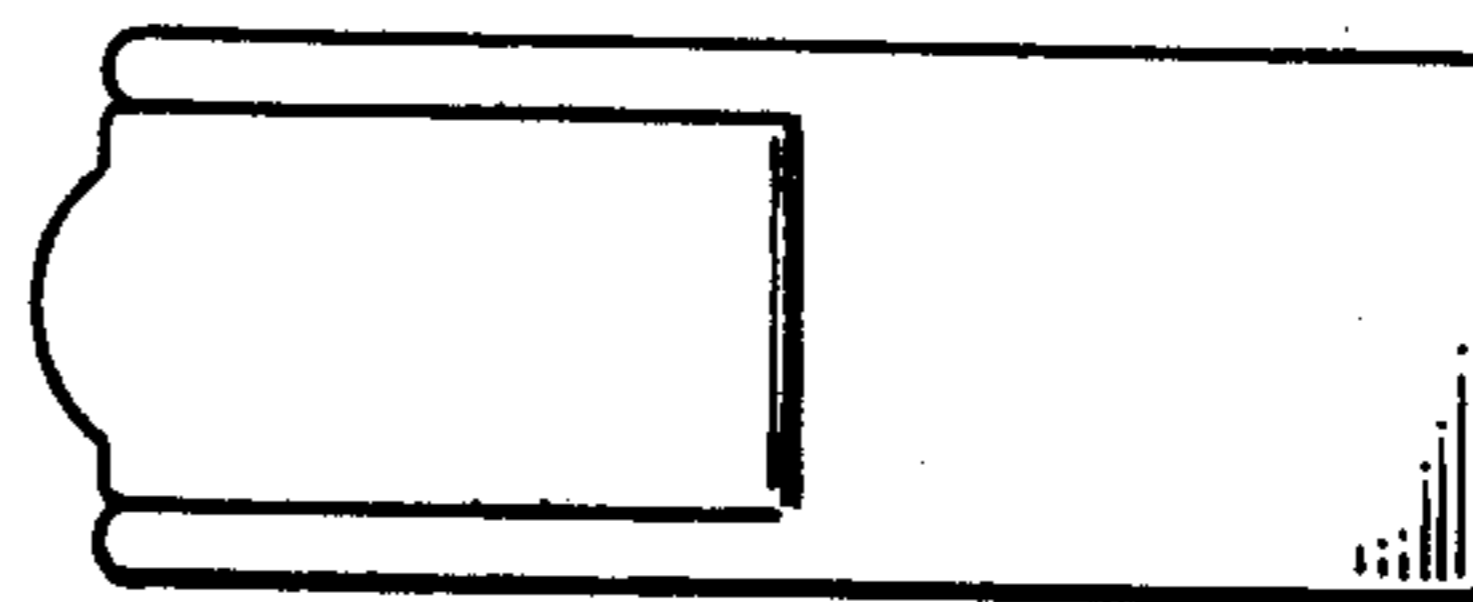


FIG. 3.

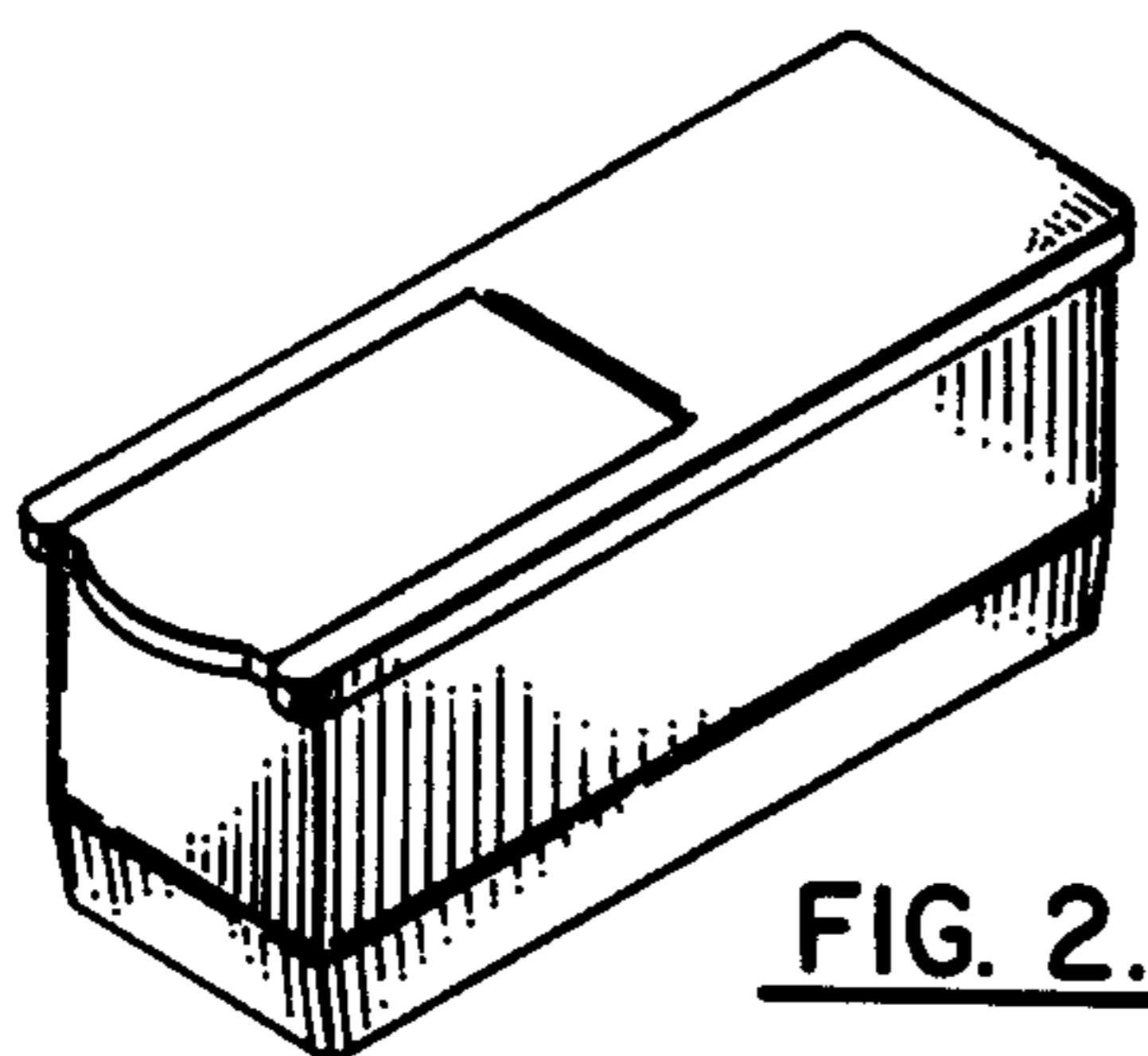


FIG. 2.

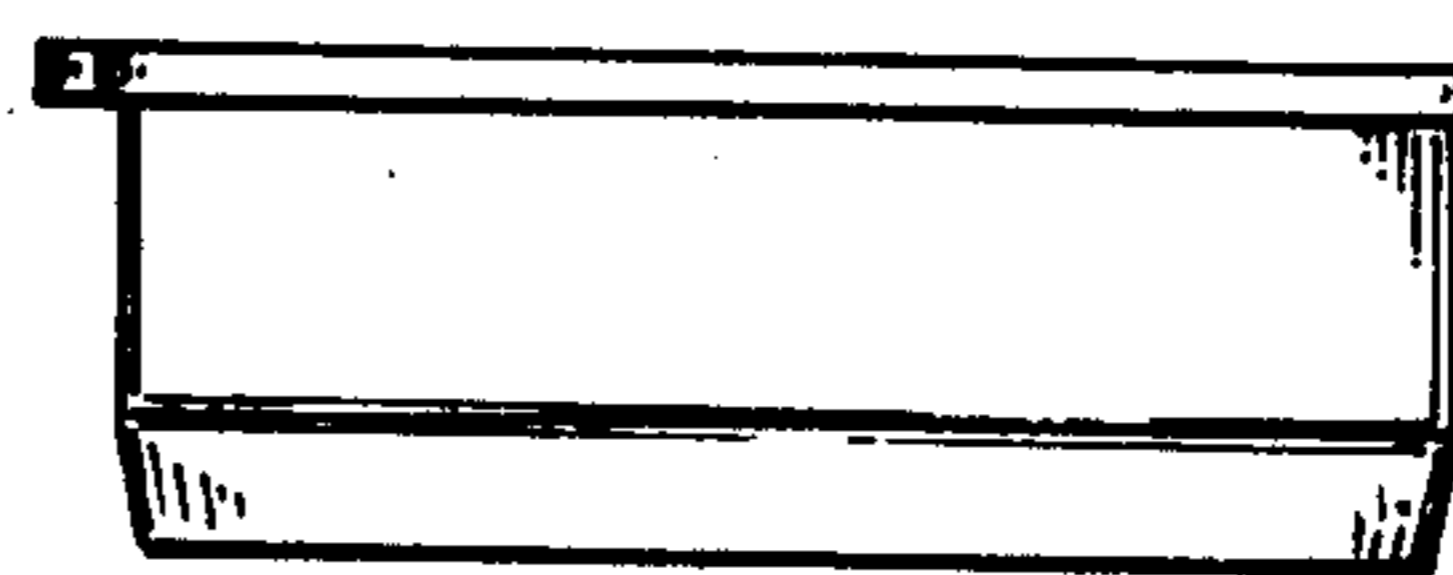


FIG. 4.

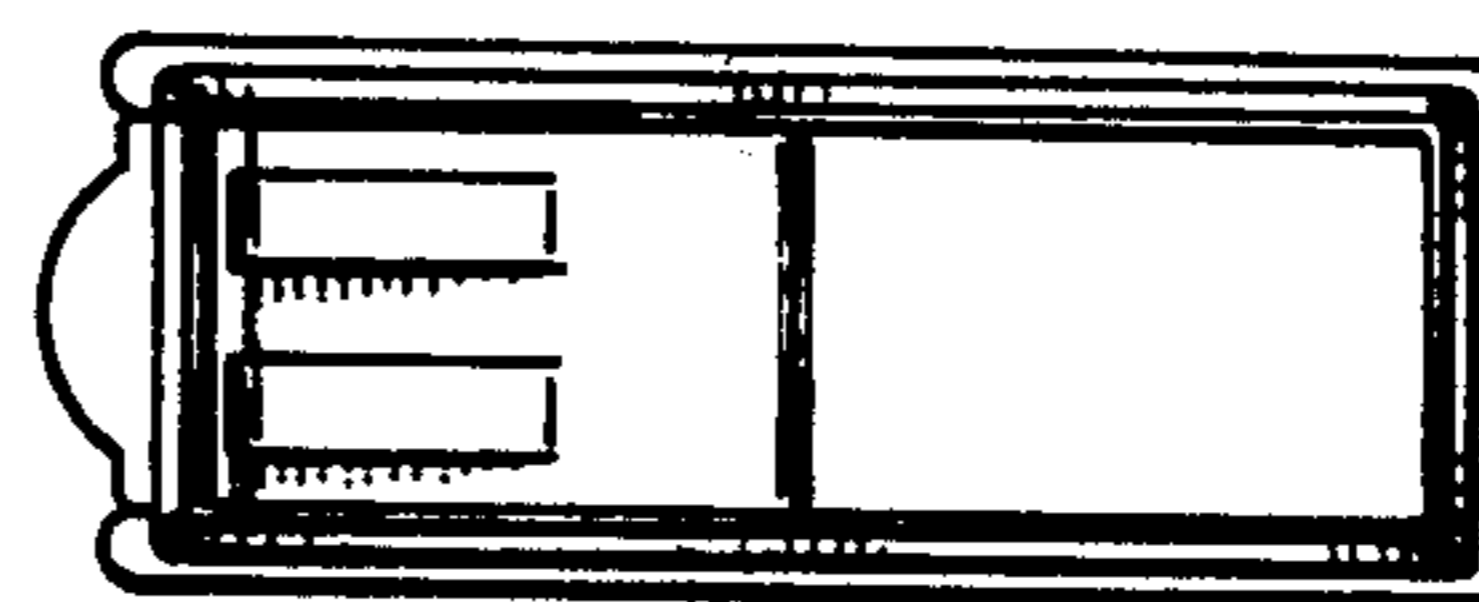


FIG. 5.

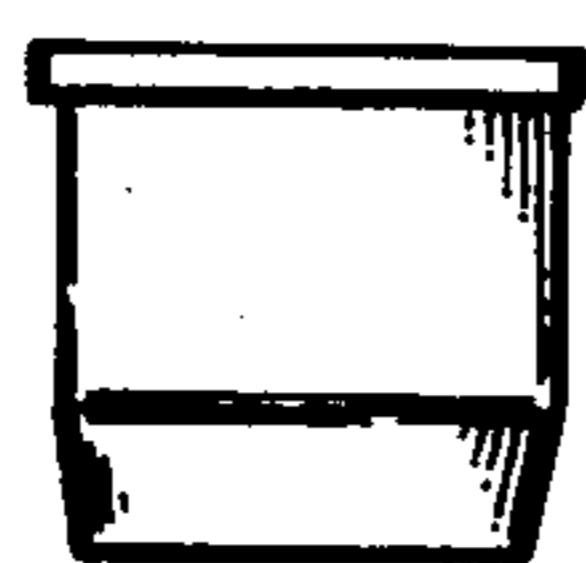


FIG. 6.

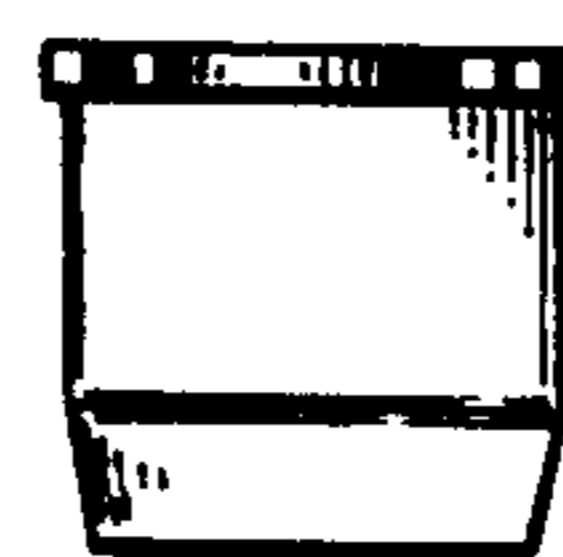


FIG. 7.