

[54] COMBINED BOTTLE AND CAP

[75] Inventor: Michael P. Lucas, Hingham, Mass.

[73] Assignee: The Gillette Company, Boston, Mass.

[\*\*] Term: 14 Years

[21] Appl. No.: 888,598

[22] Filed: Mar. 20, 1978

[51] Int. Cl. .... D9-01

[52] U.S. Cl. .... D9/147; D9/254

[58] Field of Search ..... D9/147, 1, 10, 208, D9/118, 169, 119, 131, 254

[56] References Cited

U.S. PATENT DOCUMENTS

- D. 220,560 4/1971 Johnson ..... D9/118
- D. 225,729 1/1973 Schwartz ..... D9/147

- D. 240,711 7/1976 Angleman et al. .... D9/169 X
- D. 243,585 3/1977 Angleman et al. .... D9/147
- D. 246,893 1/1978 Eron ..... D9/147 X
- D. 248,214 6/1978 DiNuccio ..... D9/147 X

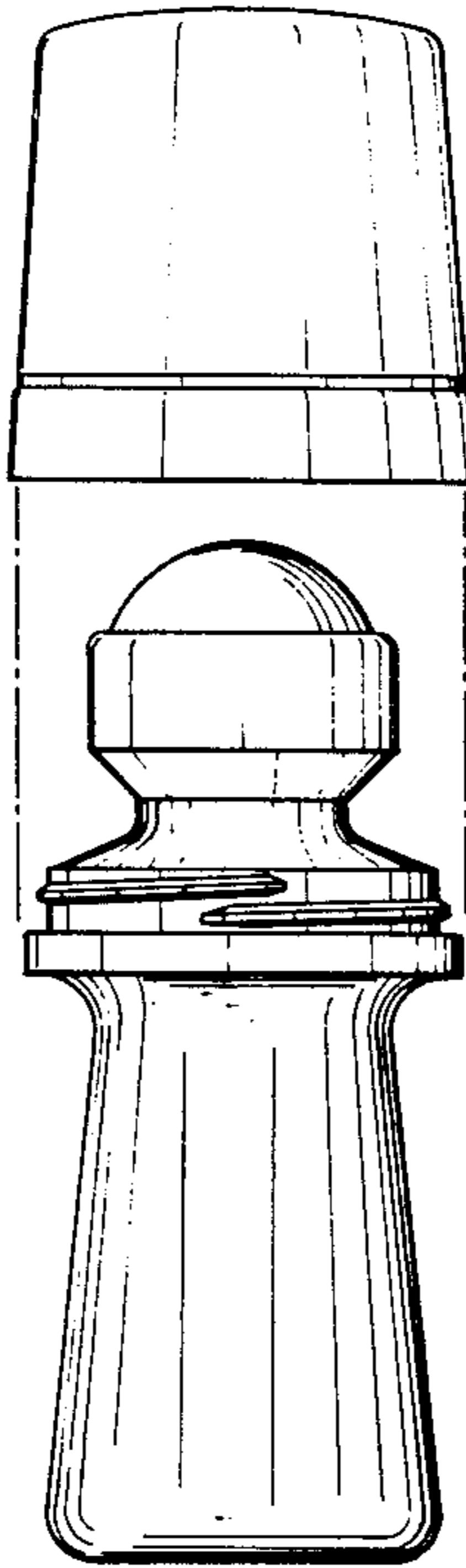
Primary Examiner—Robert C. Spangler  
Attorney, Agent, or Firm—Richard A. Wise

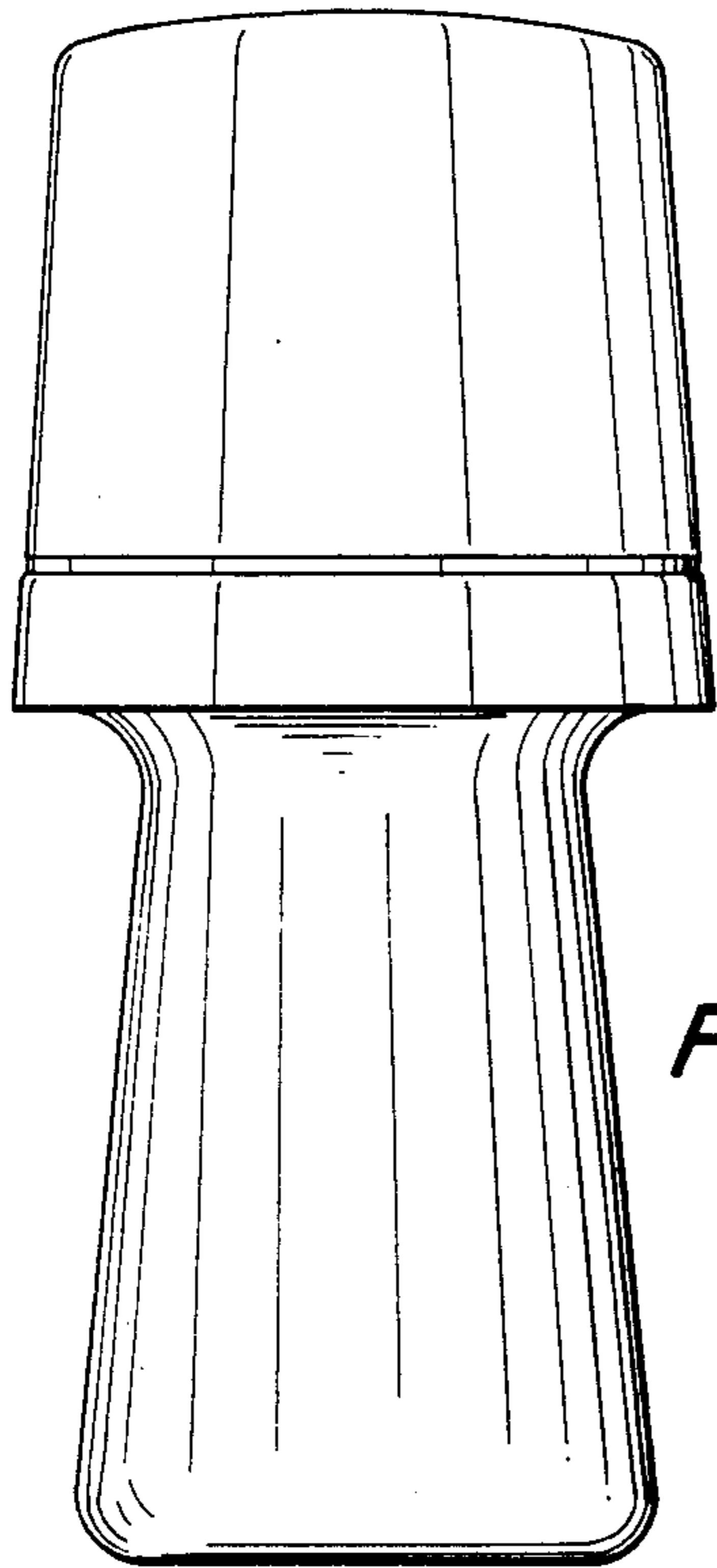
[57] CLAIM

The ornamental design for a combined bottle and cap, substantially as shown.

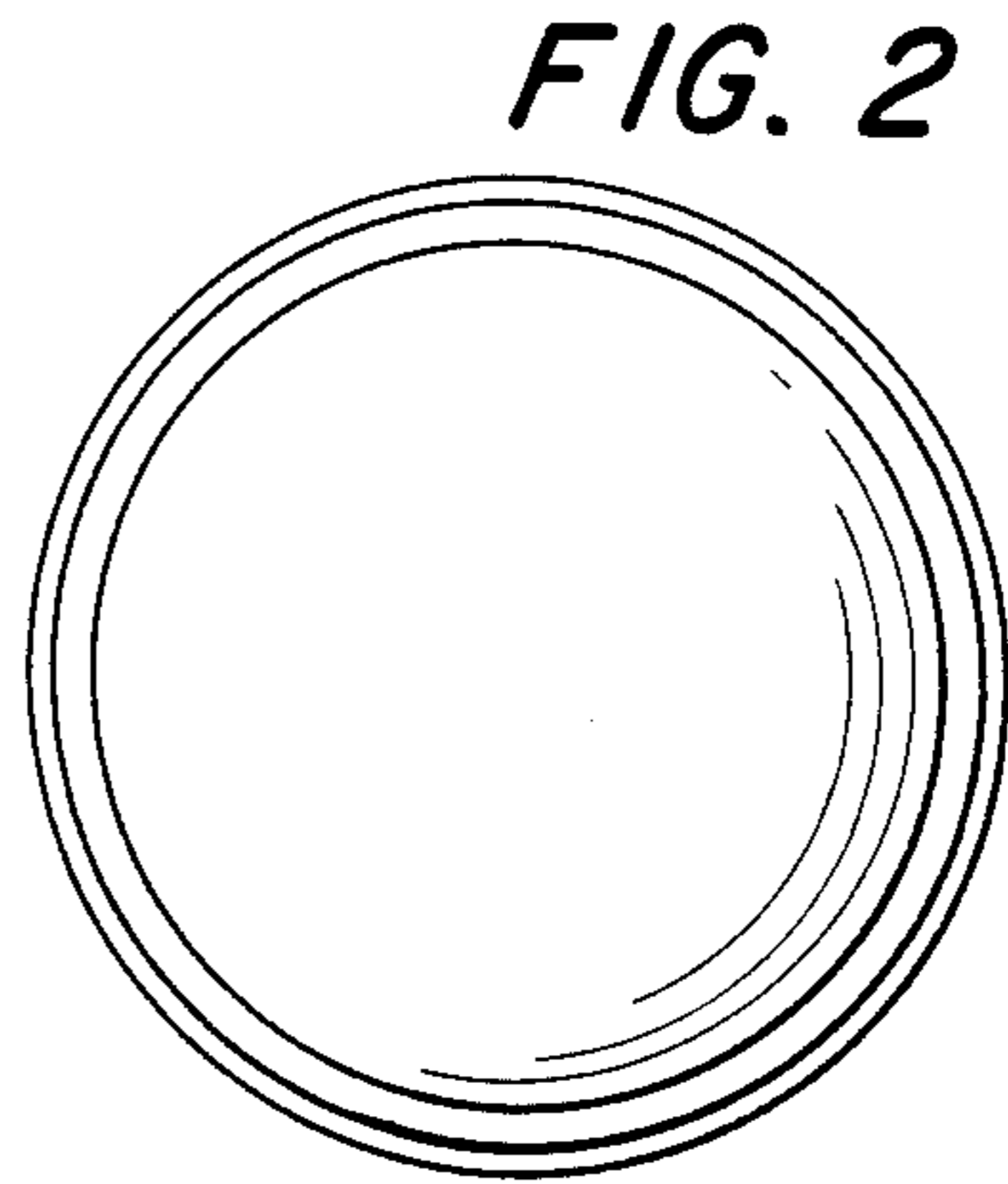
DESCRIPTION

FIG. 1 is an elevational view of a combined bottle and cap showing my new design;  
 FIG. 2 is a top plan view thereof;  
 FIG. 3 is a bottom plan view thereof;  
 FIG. 4 is an elevational view similar to FIG. 1, shown with the cap removed from the bottle; and  
 FIG. 5 is a top plan view of the bottle, with the cap removed.

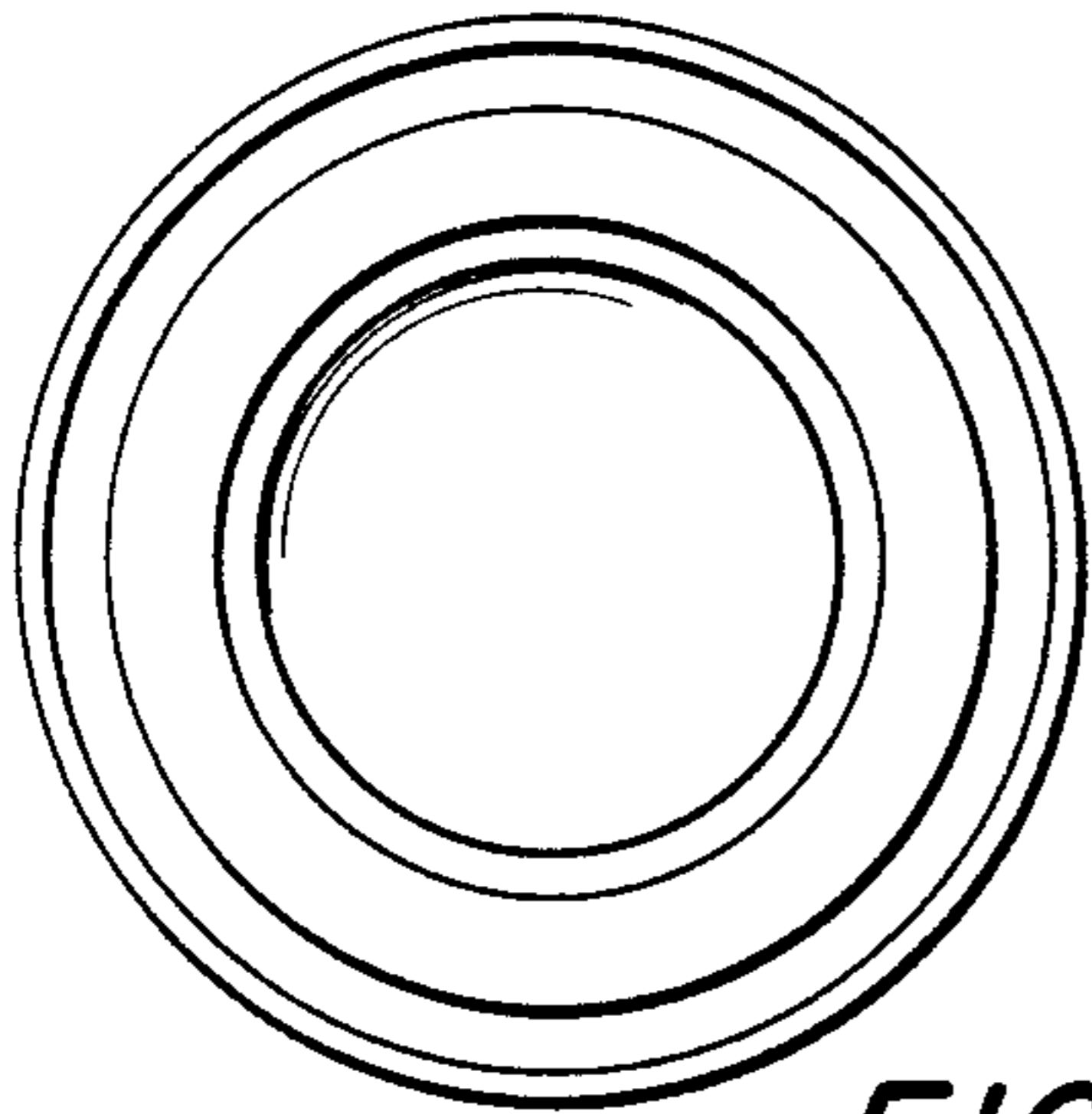




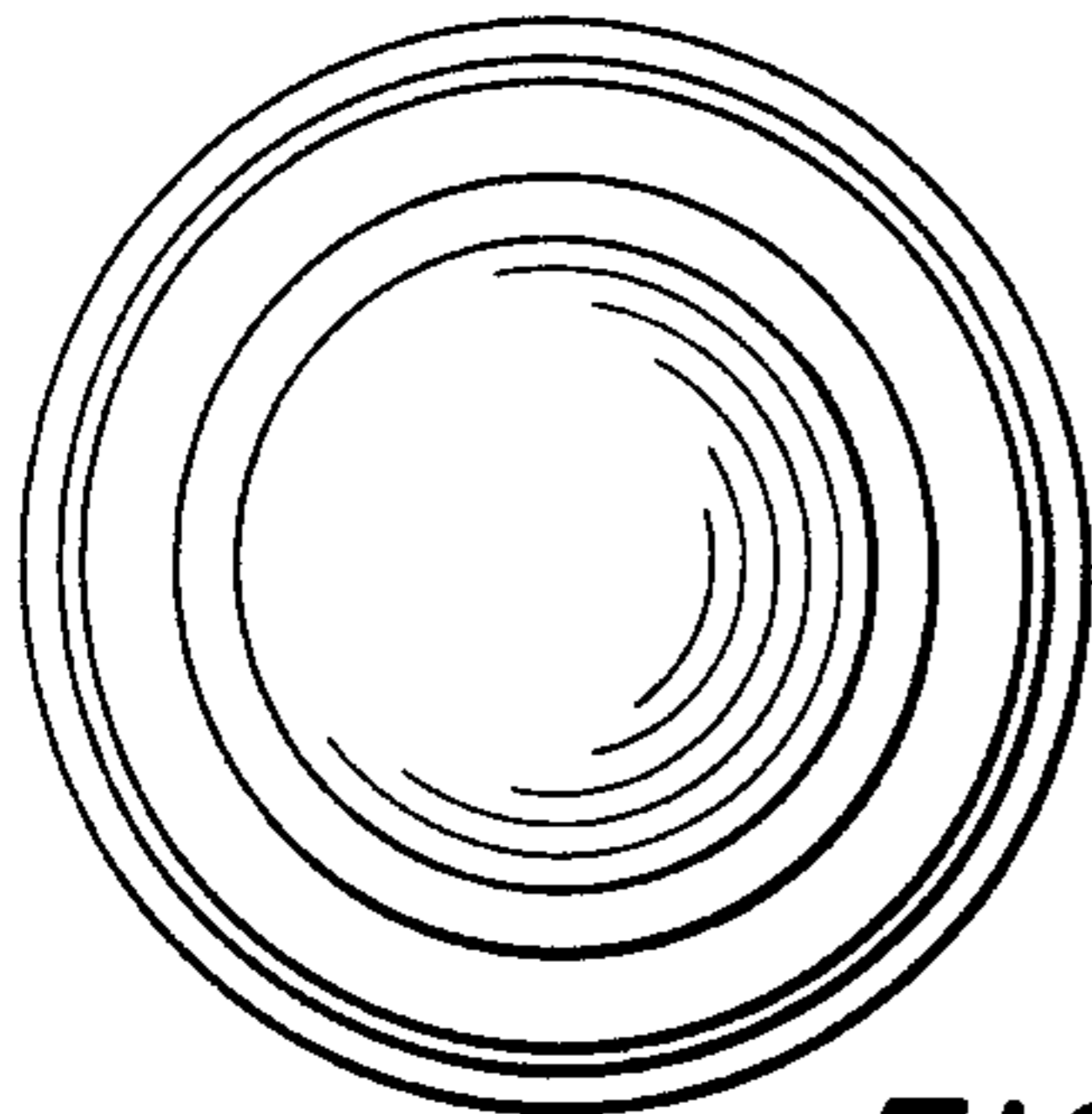
*FIG. 1*



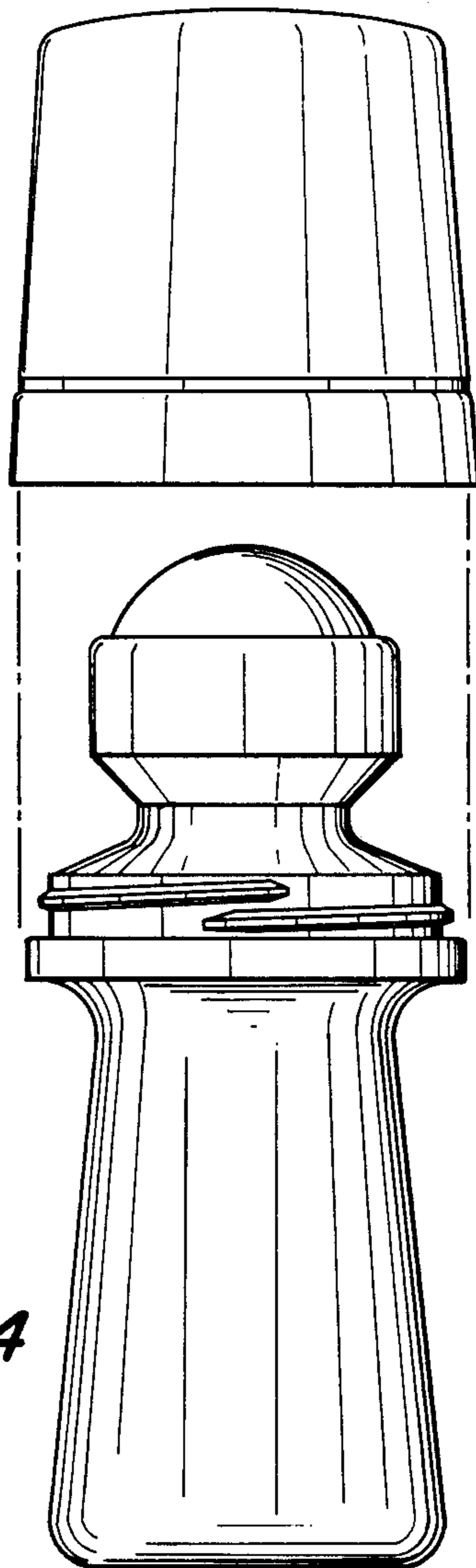
*FIG. 2*



*FIG. 3*



*FIG. 5*



*FIG. 4*