

[54] RECORD ALBUM JACKET OPENER

4,001,934 1/1977 Bell D8/98

[76] Inventor: Henry Carbo, 5137 West Blvd., Los Angeles, Calif. 90043

Primary Examiner—Peter Feldman
Attorney, Agent, or Firm—Howard L. Johnson

[**] Term: 14 Years

[57] CLAIM

[21] Appl. No.: 834,665

The ornamental design for a record album jacket opener, as shown.

[22] Filed: Sep. 19, 1977

DESCRIPTION

[51] Int. Cl. D8—03

FIG. 1 is a perspective view on a reduced scale looking downward toward the obverse face of a record album jacket opener showing my new design.

[52] U.S. Cl. D8/98; D8/107

FIG. 2 is an elevational view of the same taken from the left end of FIG. 1.

[58] Field of Search D8/98-104;
30/2, 294, 289, 286, 124, DIG. 3, 90.4

FIG. 3 is an elevational view as seen from the right end of FIG. 1.

[56] References Cited

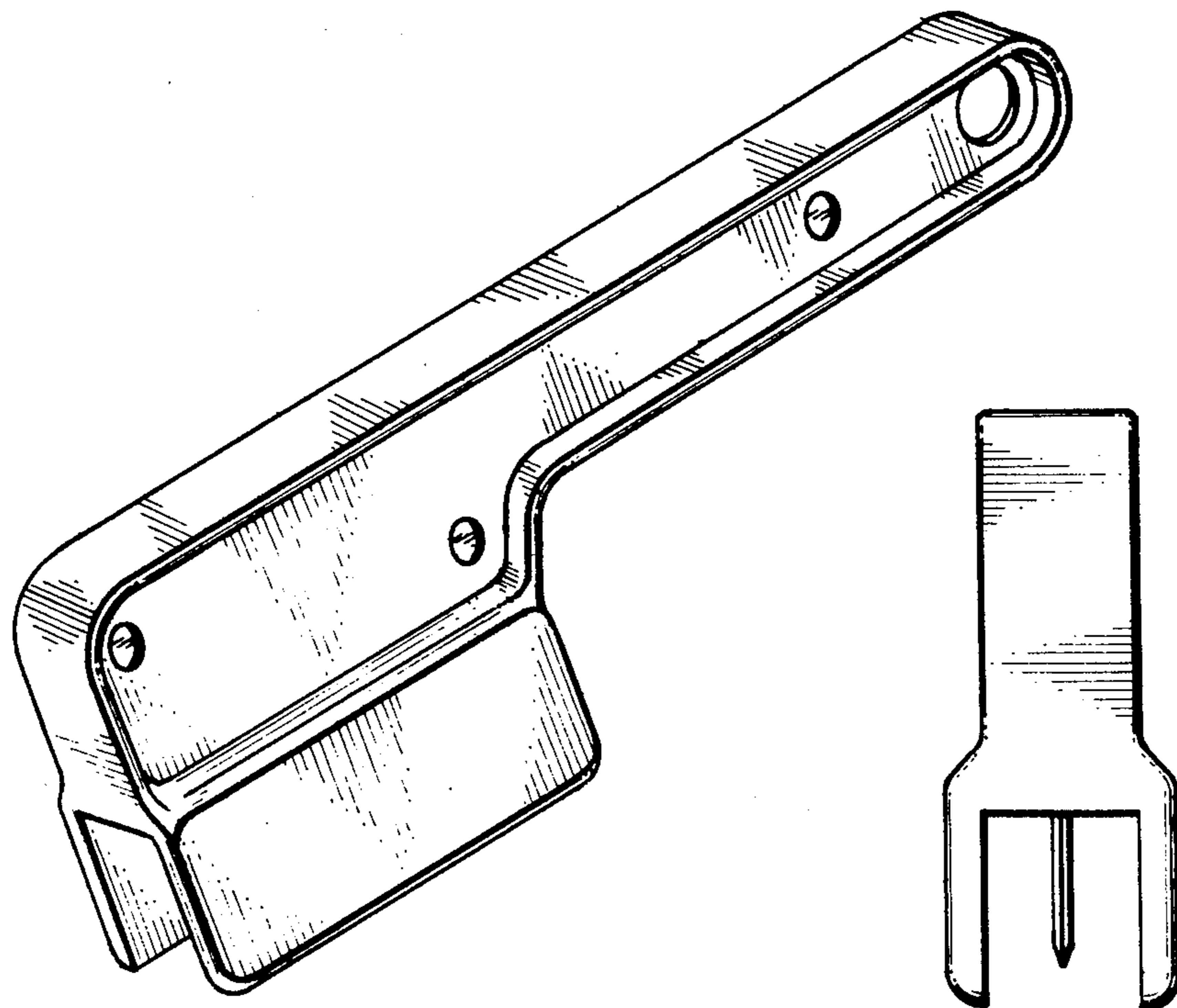
U.S. PATENT DOCUMENTS

D. 57,636	4/1921	Gits	D8/99
2,743,523	5/1956	Honey	30/286 X
3,751,806	8/1973	Patrick	30/294
3,898,733	8/1975	Cormier	30/90.4

FIG. 4 is an elevational view of the reverse face of the structure of FIG. 1.

FIG. 5 is a top plan view thereof.

FIG. 6 is a bottom plan view thereof.



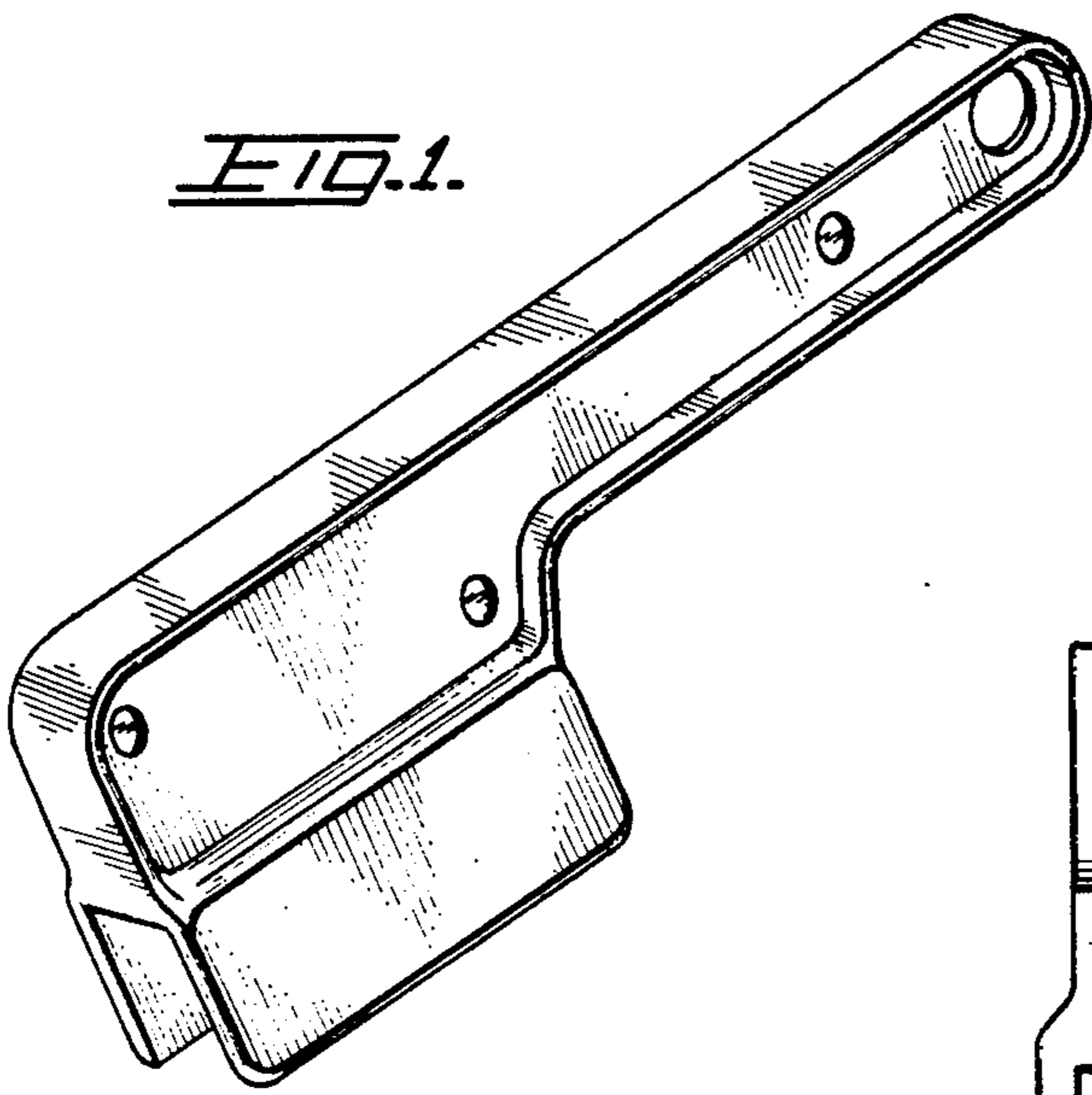


FIG. 2.



FIG. 3.

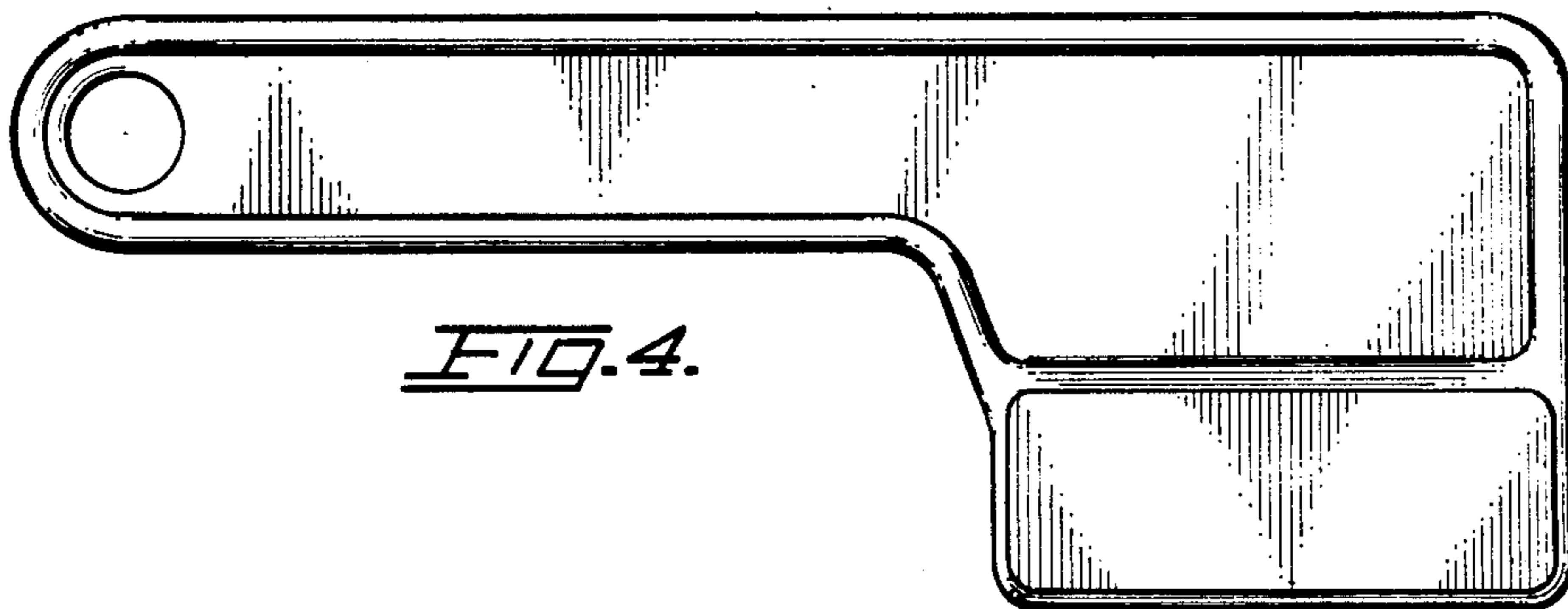


FIG. 5.

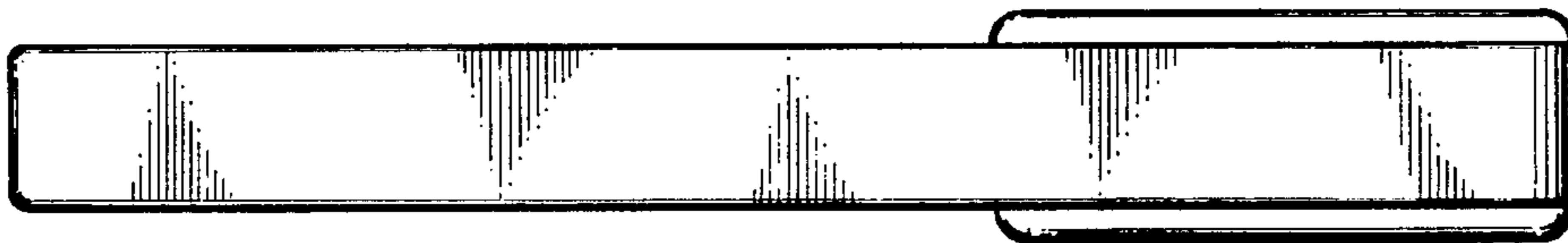


FIG. 6.

