

[54] RATCHET TOOL HANDLE  
 [76] Inventor: **Raymond O. Boursaw**, Rte. 3, Box 1230, Rainier, Oreg. 97048  
 [\*\*] Term: **14 Years**  
 [21] Appl. No.: **905,419**  
 [22] Filed: **May 12, 1978**  
 [51] Int. Cl. .... **D08-06**  
 [52] U.S. Cl. .... **D8/25; D8/310; 145/75**  
 [58] Field of Search ..... **D8/25, 310; 145/75, 145/76, 61 C, 61 L, 70; 81/58, 60-63.2, 58.1**  
 [56] **References Cited**  
**U.S. PATENT DOCUMENTS**  
 2,620,001 12/1952 Fratz et al. .... 145/61 L

3,654,975 4/1972 Ballsmith et al. .... 145/75

**FOREIGN PATENT DOCUMENTS**

21585 5/1972 Australia ..... 145/75

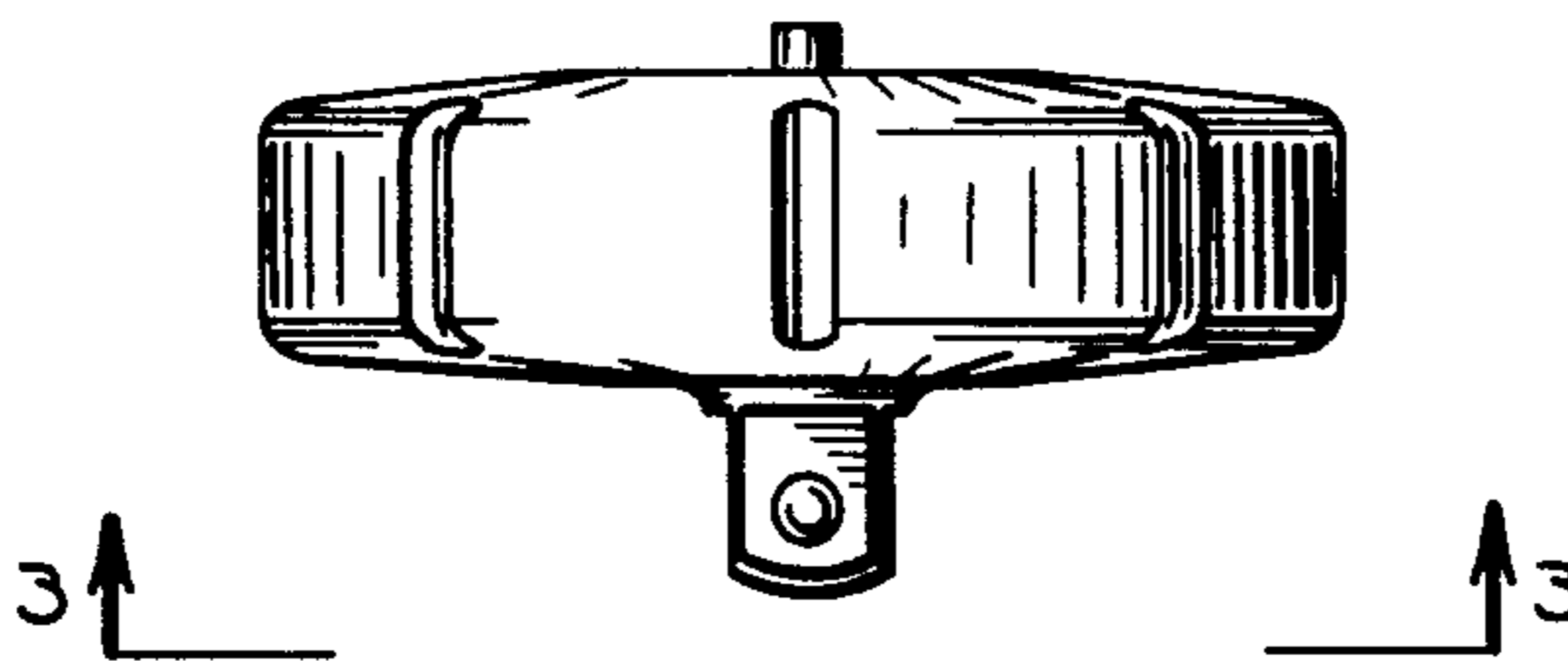
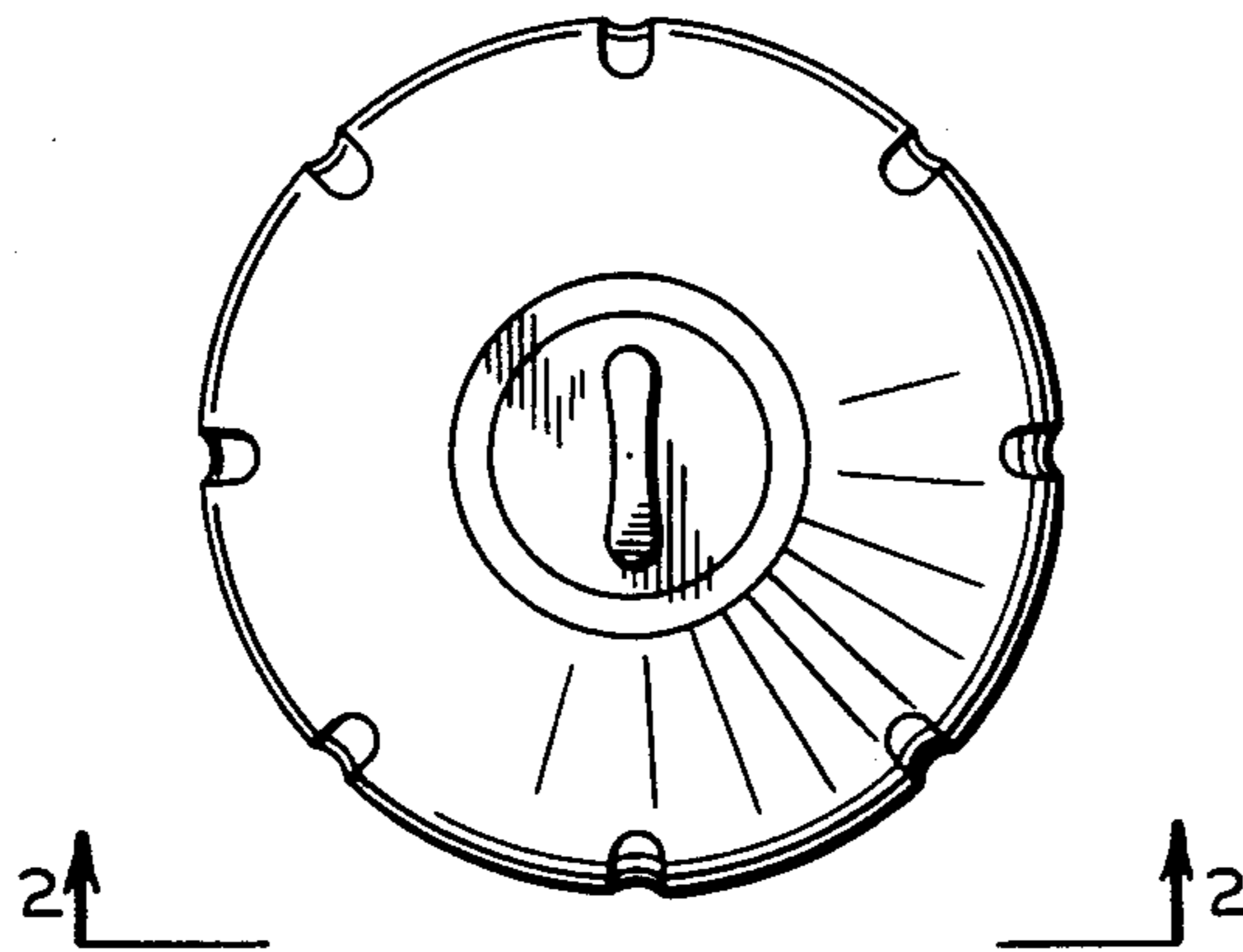
*Primary Examiner*—W. Stallard  
*Attorney, Agent, or Firm*—Eugene M. Eckelman

[57] **CLAIM**

The ornamental design for a ratchet tool handle, as shown.

**DESCRIPTION**

FIG. 1 is a top plan view of a ratchet tool handle showing my new design;  
 FIG. 2 is an edge view of the tool handle taken on the line 2—2 of FIG. 1; and  
 FIG. 3 is a bottom plan view of the tool handle taken on the line 3—3 of FIG. 2.



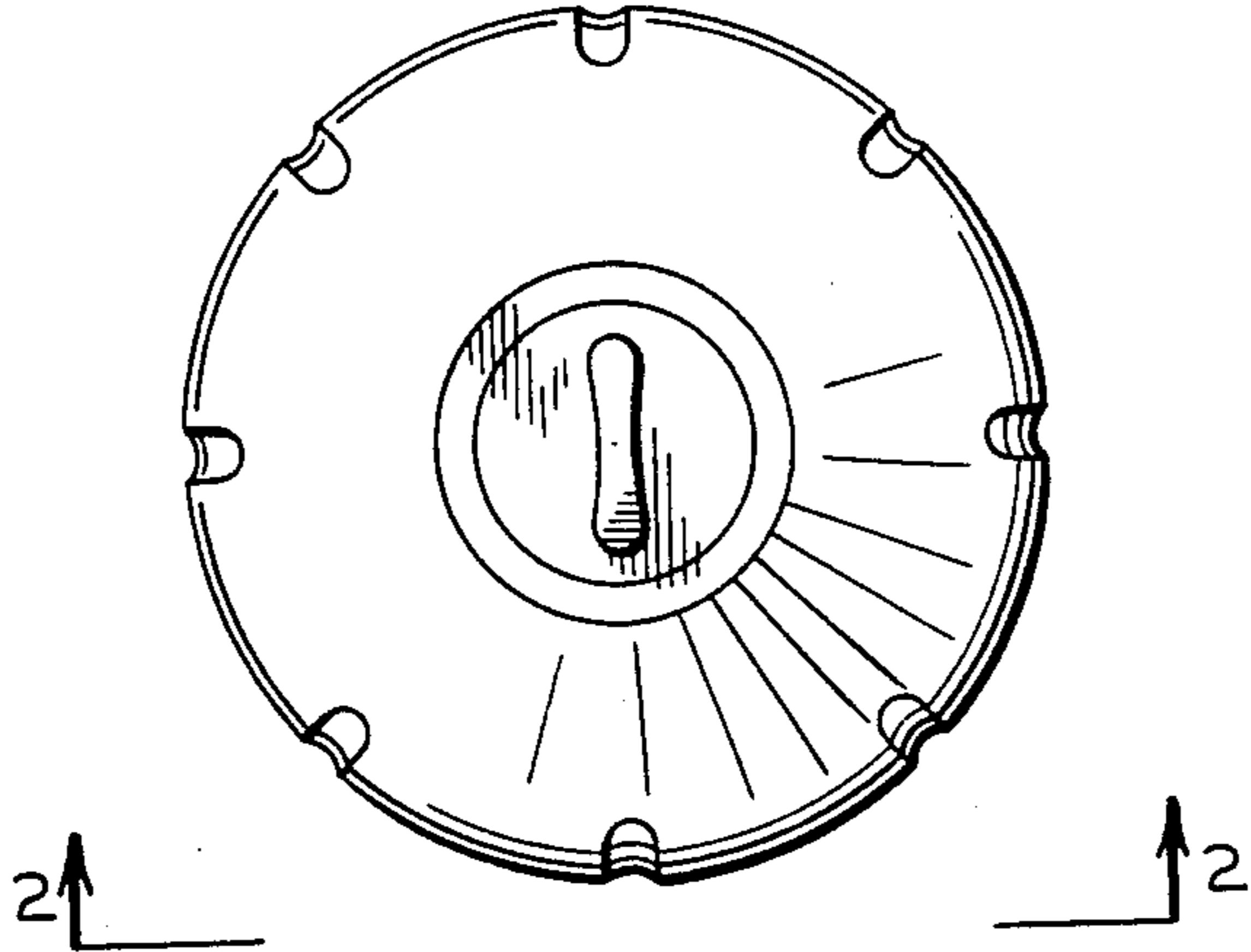


FIG. 1

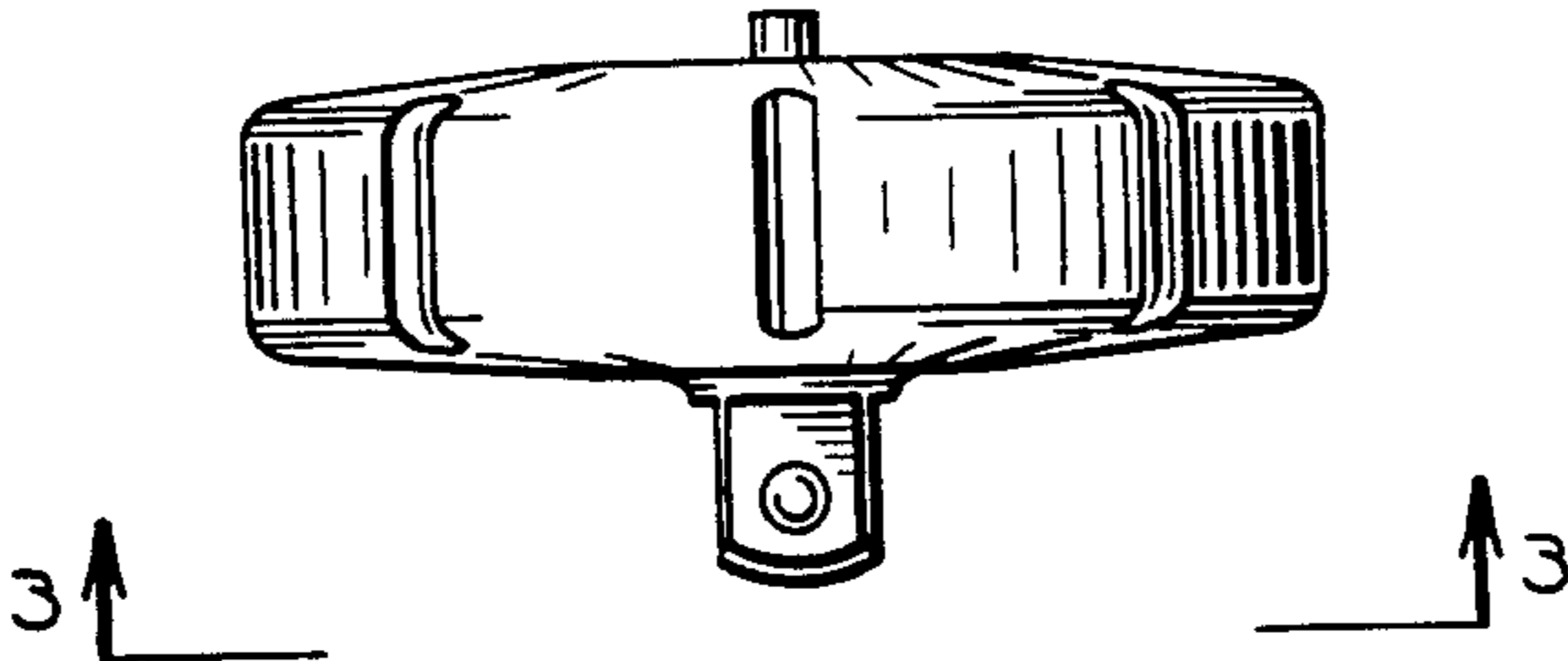


FIG. 2

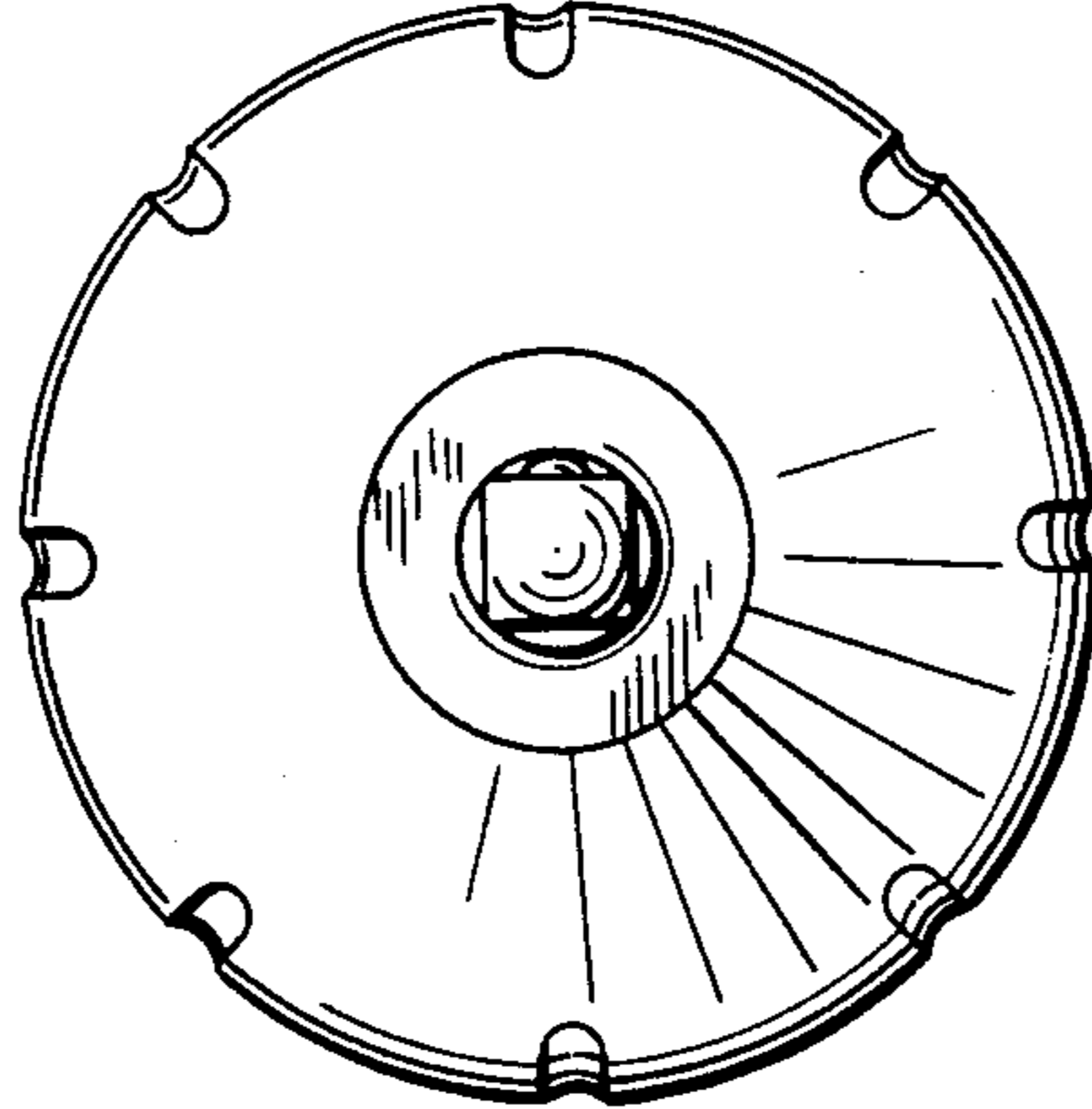


FIG. 3